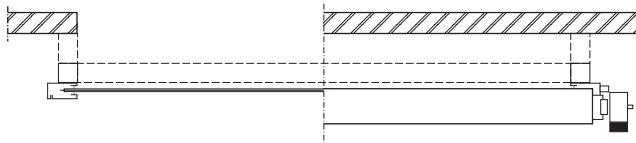


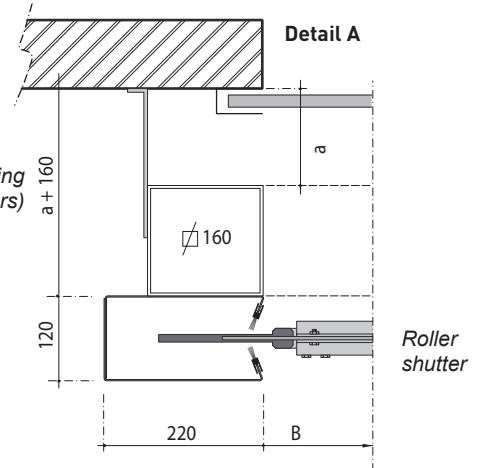
Side view

Front view



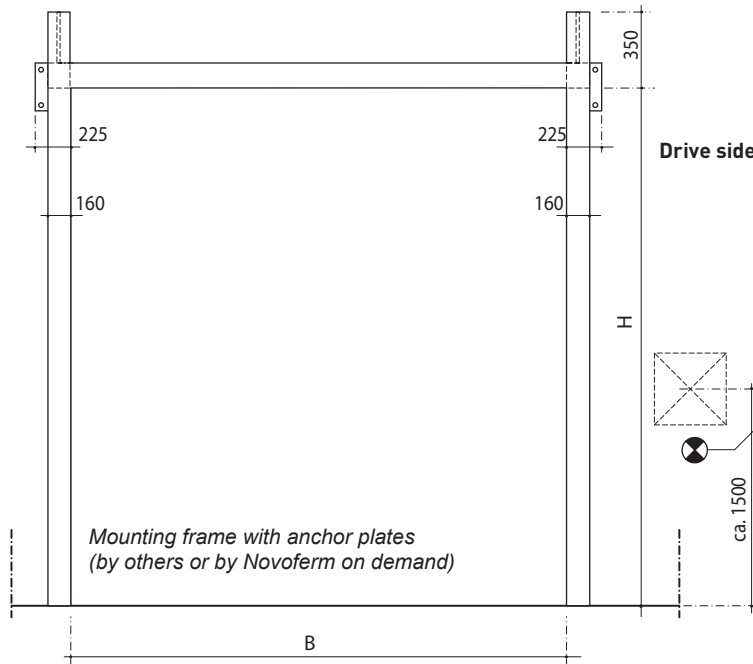
Section A

Section B



Detail A

Drive side



Mounting frame with anchor plates
(by others or by Novoferm on demand)

Size "a" depends on the type of track arrangement. For sectional overhead doors "a" is larger than for roller shutters.

- INDOOR**
- Control box with contactors :
□ CEE-form 3-N PE 400V/50Hz/16A
 - Control box with frequency inverter :
□ CEE-form 1x230V/50Hz/T16A

- OUTDOOR**
- Always :
- CEE-form 3-N PE 400V/50Hz/T16A

- Electrical supply by others

- control box/ power supply, inside RIGHT
- control box/ power supply, inside LEFT

Installation requirements

