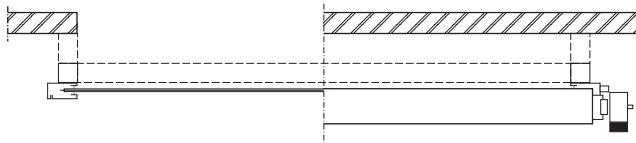


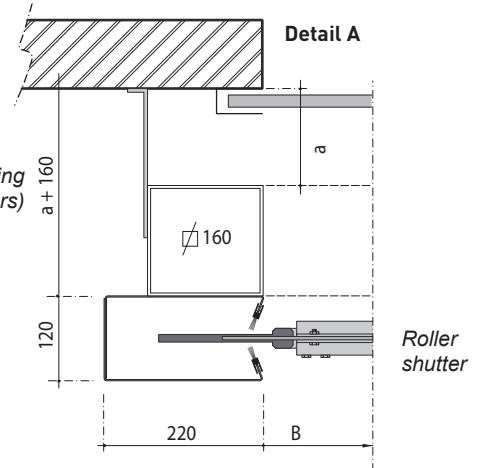
Side view

Front view

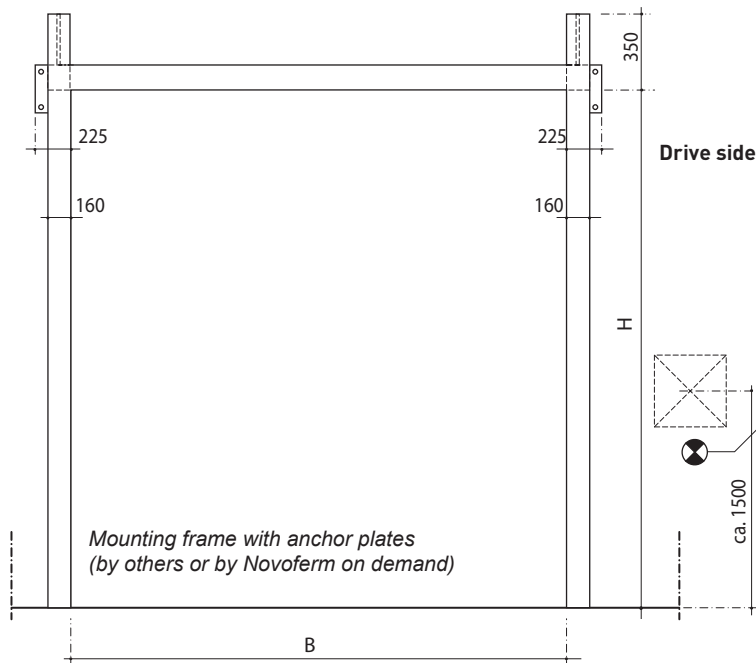


Section A

Section B



Size "a" depends on the type of track arrangement. For sectional overhead doors "a" is larger than for roller shutters.



Drive side

- INDOOR**
- Control box with contactors :
 - CEE-form 3-N PE 400V/50Hz/16A
 - Control box with frequency inverter :
 - CEE-form 1x230V/50Hz/T16A

- OUTDOOR**
- Always :
- CEE-form 3-N PE 400V/50Hz/T16A

- Electrical supply by others

- control box/ power supply, inside RIGHT
- control box/ power supply, inside LEFT

Installation requirements

