

Assembly instructions - NovoDock L530i

EN

Montageanleitung - NovoDock L530i

DE

Notice de montage - NovoDock L530i

FR

Montagehandleiding - NovoDock L530i

NL

Instrucciones de montaje - NovoDock L530i

ES



**novoferm**

Assembly instructions

**EN** **NovoDock L530i**

**Englisch**

# Contents

1. Introduction .....	1
2. General instructions .....	2
3. Site provisions (third party supply)....	4
4. Preparations for installation .....	5
5. Installation instructions, frame CX ....	6
6. Electrical connections .....	8
7. Final installation actions .....	10
8. Option: Docking buffers.....	11
9. Frame AX.....	12
10. Frame BX .....	13
11. Frame DX .....	14
12. Frame EX.....	15
13. Commissioning .....	15
Notes.....	80
Copyright .....	81

## 1. Introduction

Dear customer,

Thank you for choosing a Novoferm product. We hope that you are satisfied and that the product meets all of your expectations.

Proper operation and maintenance significantly increase the performance and lifespan of the leveller. Operator errors and poor maintenance will inevitably result in malfunctions. In addition, reliable and safe operation can only be guaranteed if the unit is operated properly and conscientiously maintained.



**Note the following:**

Depending on the choice of accessories, the scope of supply may include additional installation manuals, for example for the leveller control unit. Please read these manuals carefully and completely. Please observe the instructions and comply with all safety notices and warnings.

+++ WARNING +++ WARNING +++ WARNING +++

## 2. General instructions

EN



### Read this first!

- The area of application of this leveller is described in the EN 1398 standard.
- Installation, repairs, maintenance and dismantling must be carried out by qualified professionals.
- During commissioning, the qualified technician doing the work must be alert to possible hazards and check that the leveller operates correctly.

+++ WARNING +++ WARNING +++ WARNING +++

#### 2.1 General instructions

- Please read the installation manual completely before using the product for the first time! Take note of the comments and comply with the safety notices and warnings!



### Warning

- When performing all installation tasks, switch off the power supply and secure the system to prevent it from being switched on by an authorised person.
- During installation, parts can drop, which may result in injury to people and damage to goods.
- Contact with electrically live components may result in electric shock. Make sure that the customer's electrical system has been installed in accordance with valid safety requirements.
- Never connect a mains voltage supply to the control unit; this will result in irreparable damage to the electronics.
- Only perform welding and grinding tasks on the leveller if expressly permitted in the position in question. Ensure adequate ventilation in order to prevent build-up of an explosive atmosphere of dust and other combustible materials.

+++ WARNING +++ WARNING +++ WARNING +++

Make sure that all generally acknowledged legal and other binding regulations for the prevention of accidents and protection of the environment, national regulations and acknowledged engineering and technical rules for safe and correct execution of the work are observed.

- Check that the fasteners and fixing materials provided are suitable for the site conditions. Only use suitable fasteners and fixing materials.
- Perform each step in sequence in accordance with the installation drawings!
- Only use proper and suitable tools!
- Only work on the leveller when it has been made non-operational.

- Failure to observe these precautions may result in serious injury and material damage!
- The components that are to be used are manufactured from high-grade, durable and solid materials. Even so, care must be taken during installation in order to avoid damage.
- If parts suffer damage, always replace them with OEM parts. If you fail to do so, correct operation of the leveller can no longer be guaranteed! Furthermore, this voids the warranty!

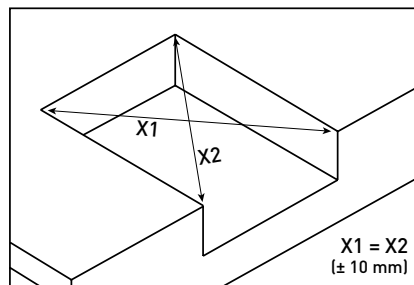
#### 2.2 Check the following before installation:

Check the following items before installation:

- Does the electrical supply that is available correspond to the requirements for the leveller?
- Are suitable cables and fuses available?
- In the case of models that are to be installed in a prepared pit: Does the pit correspond to the relevant installation drawings and has an empty conduit measuring 70 mm in diameter been provided to allow insertion of the cable?

Only start installation work if all of the conditions are satisfied.

To check dimensional accuracy, measure the length and width of the pit, the height of the front and rear sides and the diagonals. The length of the diagonals (X) may not differ from each other by more than 10 mm.



Instruction: The leveller must be installed so that it is perfectly horizontal across its width. If not, leveller operation may be adversely affected. There is also a risk of damage to the leveller.

#### 2.3 Tools required for installation

You require the following tools for the installation work:

- ESAB caddy 200 (5–200A) welder (typical example).
- ESAB OK 48.00 3.25 welding rod (typical example).

#### 2.4 Lifting equipment

- Forklift truck: Lifting capacity of at least 35 kN, fork length 2000 mm, or
- Crane: Lifting capacity of at least 35 kN in the area where work must take place.

#### 2.5 Electrical connections

- Cable: 7 x 0.75mm<sup>2</sup>
- Motor cable: 4 x 1.5mm<sup>2</sup>

#### 2.6 Functional check

- Check all operating modes of the leveller upon completion of the installation work. To do so, use the leveller test report.
- Fill out the test report truthfully and sign the entry.
- After doing so, hand this installation manual together with the other documents to the customer.



### Warning

A malfunctioning leveller may cause personal injury and material damage to goods. Only use the leveller when in proper operating condition.

+++ WARNING +++ WARNING +++ WARNING +++

#### 2.7 Commissioning

- The leveller may only be used for the first time after handing over the declaration of conformity.
- Give the users instruction in how to operate the leveller. Do not allow third parties (e.g. visitors) to operate the leveller.
- This installation manual must be given to the customer and kept safely during the entire period of use!
- Do not make any changes to the software for the programmable control unit.
- Changes or additions to the product that has been delivered may only be made by the supplier.



### Warning

Movements performed by the leveller may cause injury to people and damage to goods.

- Make sure that no people or objects are in the vicinity of the leveller when it is moving.
- Never use the leveller to raise people or objects.

+++ WARNING +++ WARNING +++ WARNING +++



- The manufacturer is not liable for damage caused by non-observance of the installation manual or improper use.
- Please note that the valid regulations require the leveller to be inspected by an expert once a year.
- Maintenance must be performed each year or every 5000 cycles.

**2.8 Dismantling**

If the leveller is to be dismantled and removed, a qualified technician must carry out the steps described in section 4 in reverse order.

**2.9 Staff qualifications**

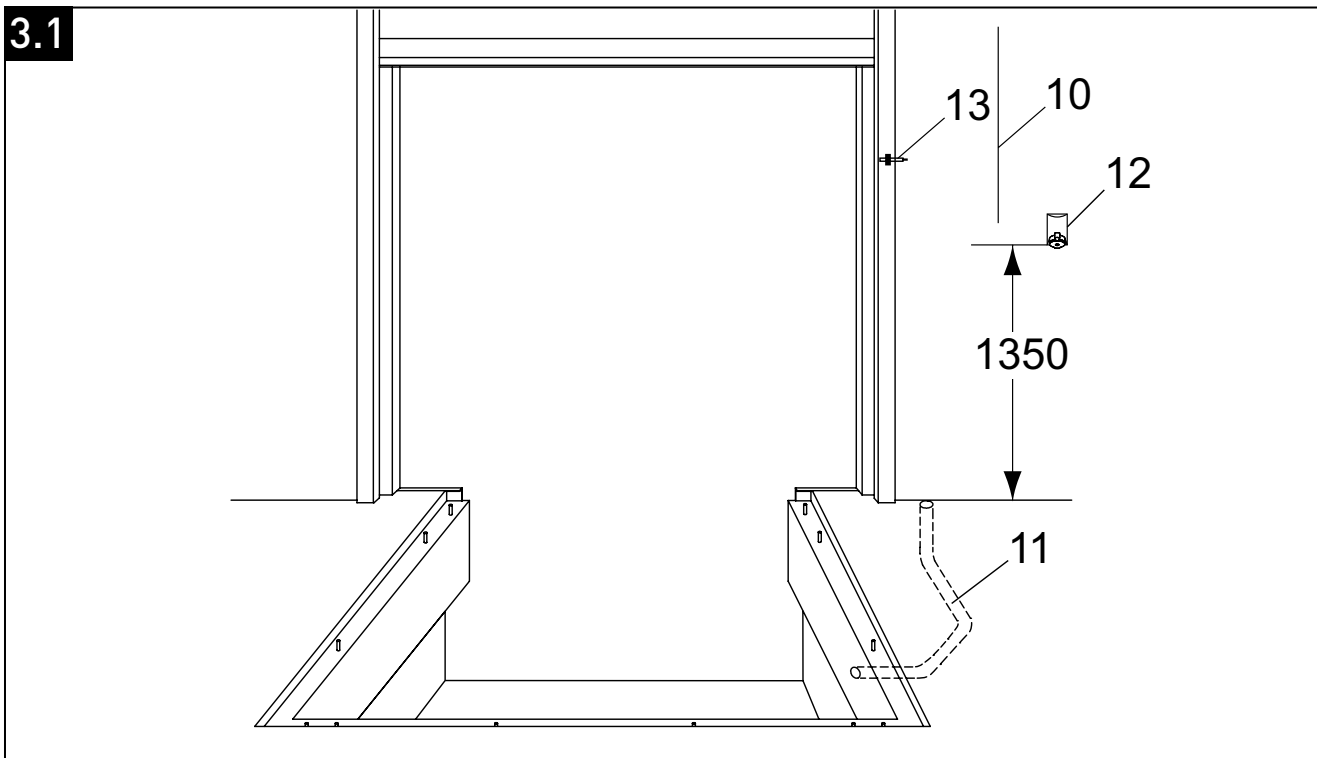
Installation requires adequate qualifications for performing both mechanical and electrical work and, depending on the model, welding work and/or concrete work.

All work on the leveller requires in-depth professional knowledge and may only be performed by authorised persons. Authorised persons are professional technicians from the manufacturer who have been instructed and trained appropriately.

	<p><b>Instruction!</b> Only attach lifting equipment to the points indicated by this symbol! Always use all four lifting eyes (with a forklift truck: at least two lifting eyes)!</p>
	<p><b>Caution, deadly danger!</b> Only use lifting equipment that is in good operating order. The lifting equipment must be used in the prescribed way and have a capacity of at least 35 kN. Observe the accident prevention regulations in force at the company! Never stand or work under a suspended load!</p>
	<p><b>Caution!</b> Keep away from the pit edge in order to avoid foot injuries!</p>
	<p><b>Instruction!</b> Make sure that the lateral gap between the frame and deck amounts to 10 mm (+0, -2mm). The frame must be aligned horizontally.</p>
	<p><b>Caution!</b> Before carrying out any work on electrical equipment, the power supply to the leveller must be switched off and locked to prevent it from being switched back on! Only fully qualified and authorised staff may work on the electrical components of the leveller!</p>
	<p><b>Caution!</b> Always observe the valid safety regulations! Electrical connection must be carried out by a qualified electrician in accordance with the wiring diagram. Only open the housing if the main switch is turned to the off position "0".</p>
	<p><b>Instruction!</b> Make sure that all leveller functions can be observed from the operator station. The electrical controls must be installed in a way that ensures protection against splashing water. If any malfunctions are observed, secure the leveller immediately and inform the Novoferm customer service organisation that is responsible for your company.</p>
	<p><b>Painting welded and damaged surfaces:</b> Surfaces that are to be painted must be dry and free of dirt, grease, rust, etc. Use a wire brush and thinner.</p> <ul style="list-style-type: none"> <li>• Spray cold galvanising paint on the surfaces and allow to dry for approximately 30 minutes</li> <li>• After installation, apply a final coat of paint to all areas of paint damage using the touch-up paint provided.</li> </ul>

### 3. Site provisions (third party supply)

EN

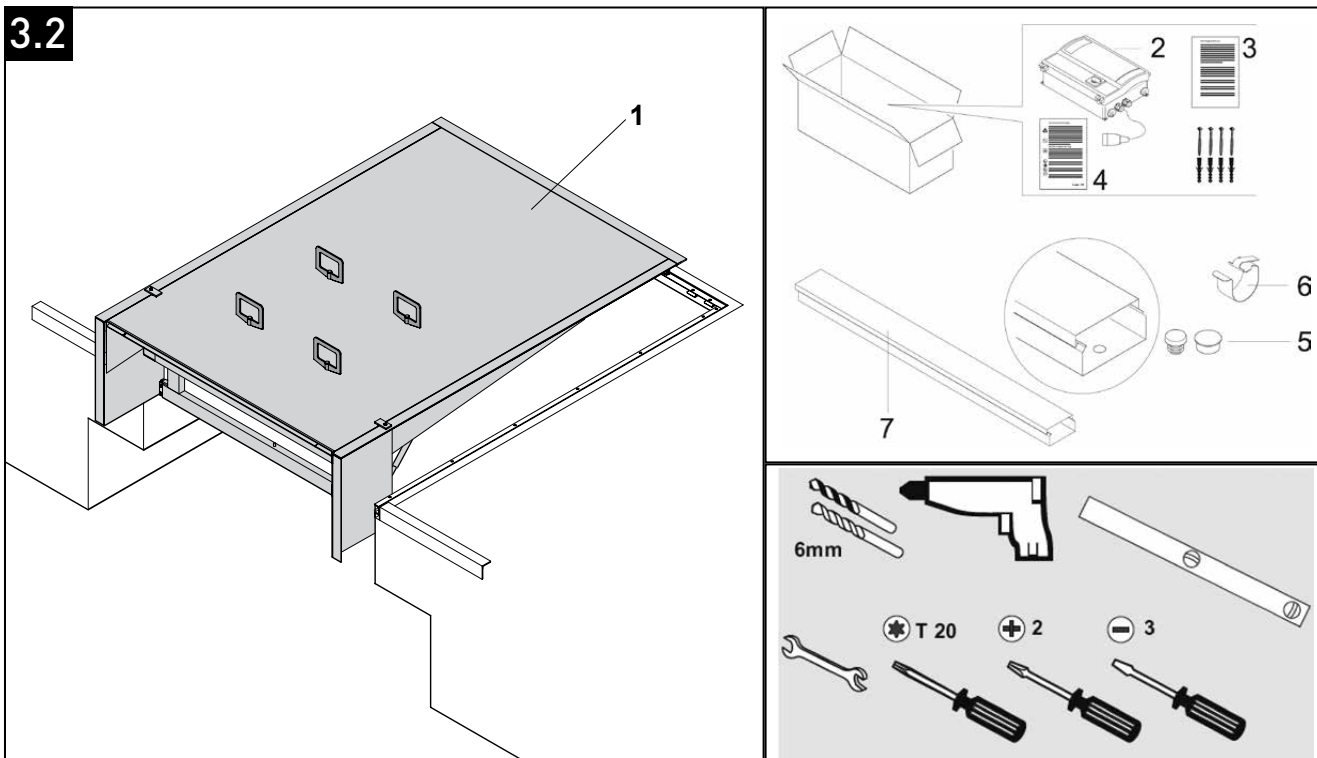


#### Site provisions (third party supply)

- 10 Mains power supply: 3 / N / PE AC 50Hz 230/400V  
Mains fuse: D0 10A gI, Motor capacity: 1.5kW
- 11 Tube for electrical cable, inner diameter minimum of 70 mm, curved through  $\leq 45^\circ$

- 12 CEE power socket 16A
- 13 Door position sensor (optional)

General instruction: The image may differ at detail level.



#### Required for installation

- 1 Leveller
- 2 Controls
- 3 Installation and user manual, control system
- 4 Quick start guide

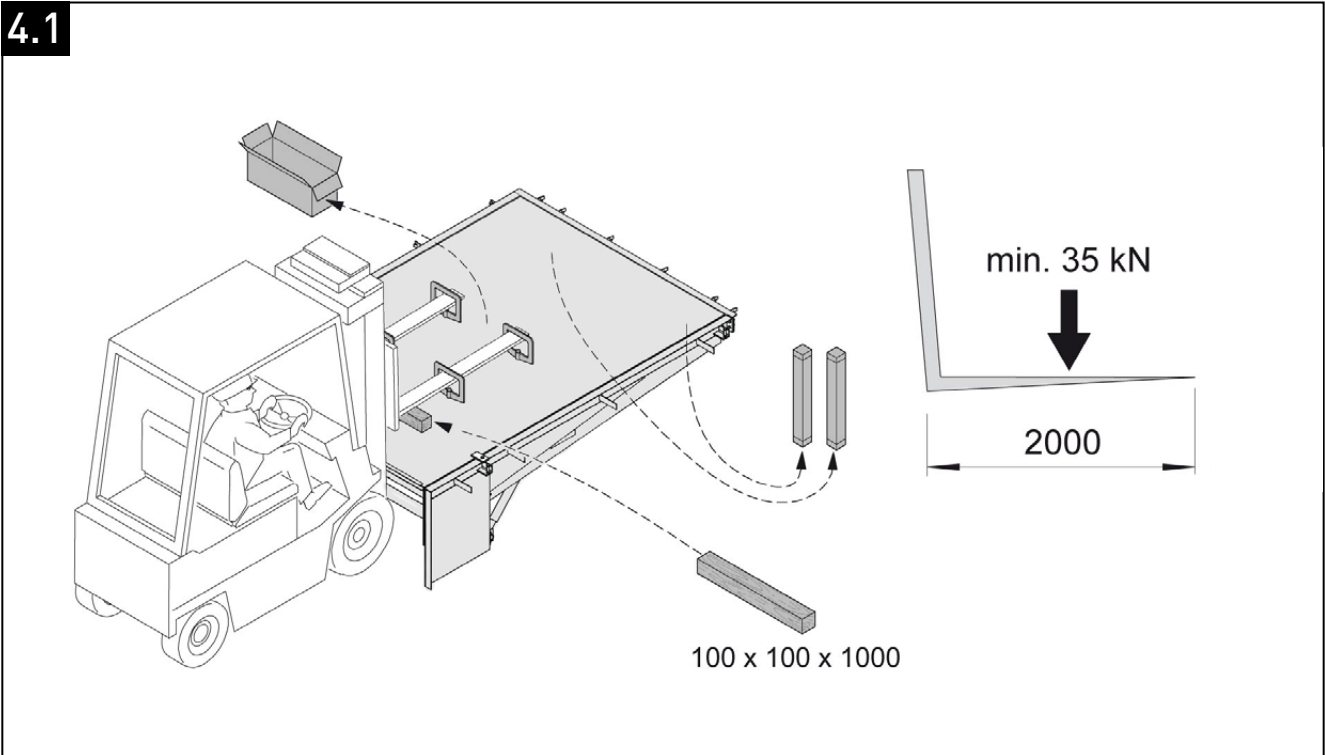
- 5 Plastic plug
- 6 Cable clamp
- 7 Cable conduit (not included in the scope of supply)

General instruction: The image may differ at detail level.

## 4. Preparations for installation

EN

### 4.1

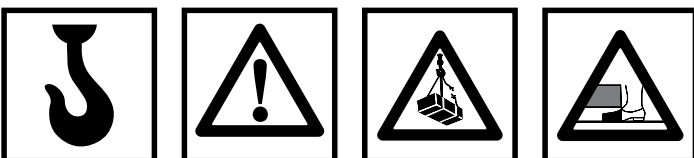
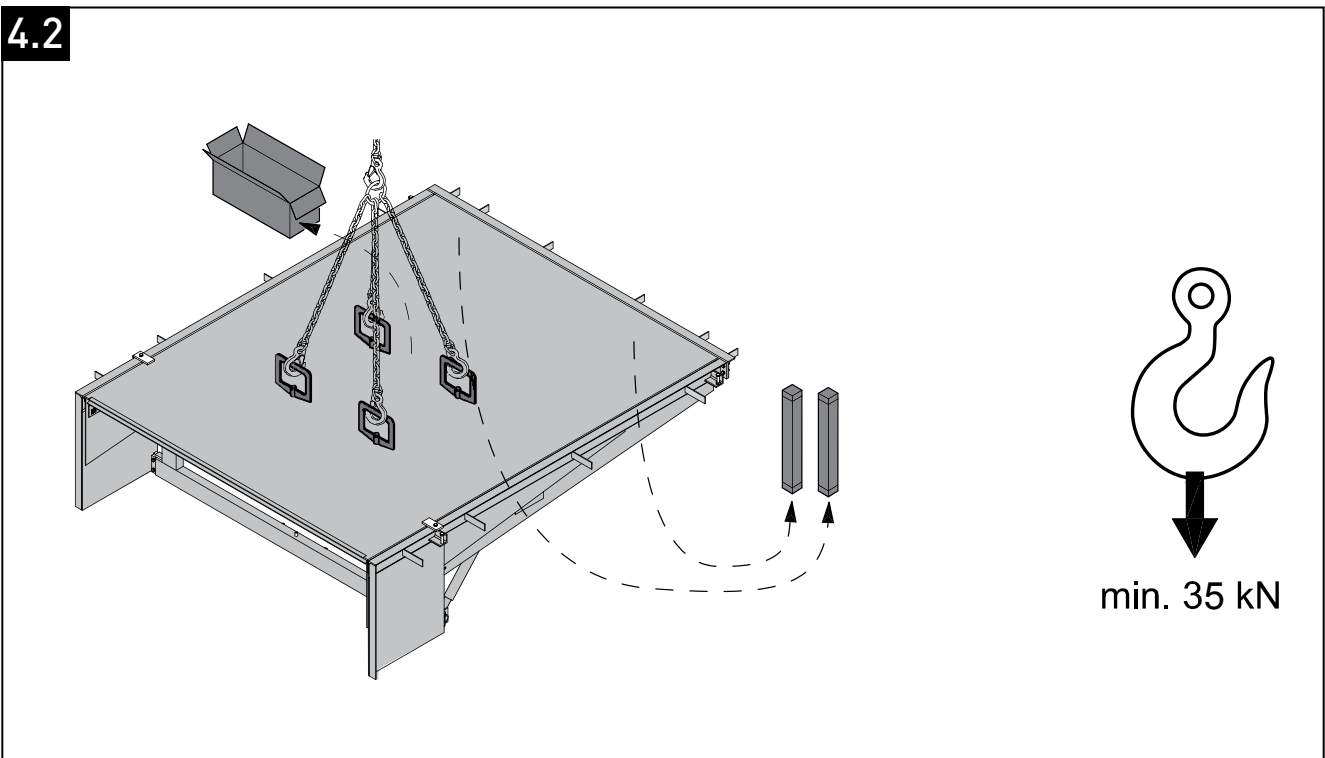


#### Instruction

- Wooden beam not included in the scope of supply.

General instruction: The image may differ at detail level.

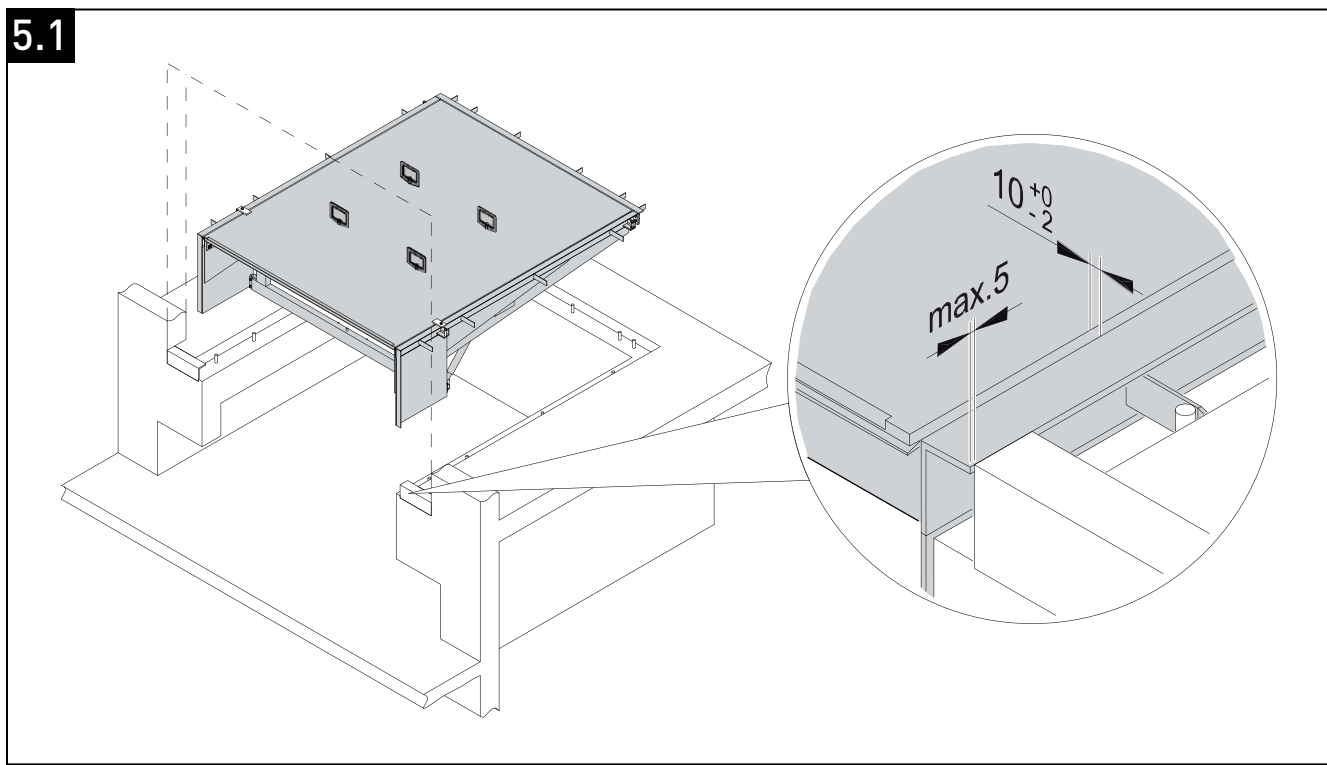
### 4.2



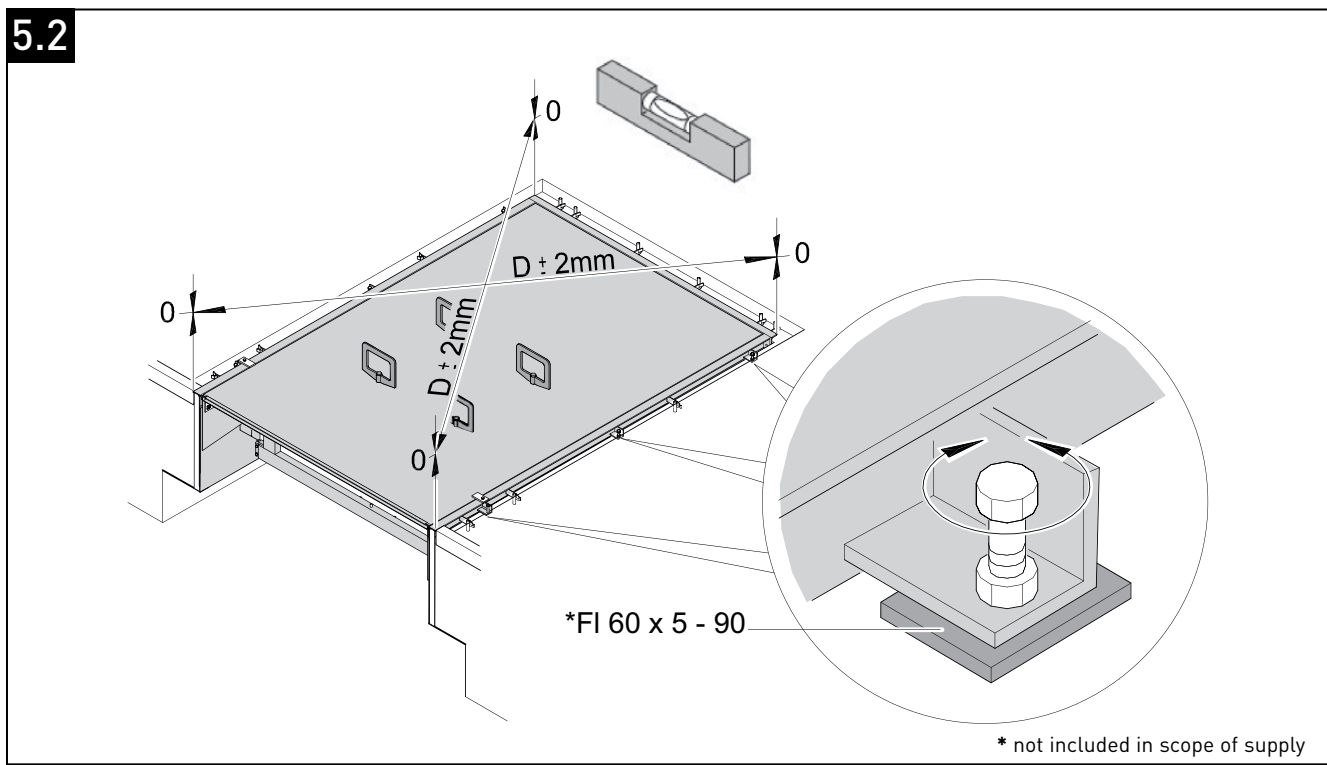
General instruction: The image may differ at detail level.

# 5. Installation instructions, frame CX

EN

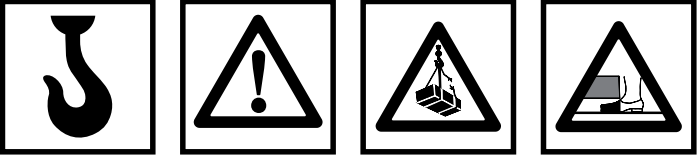
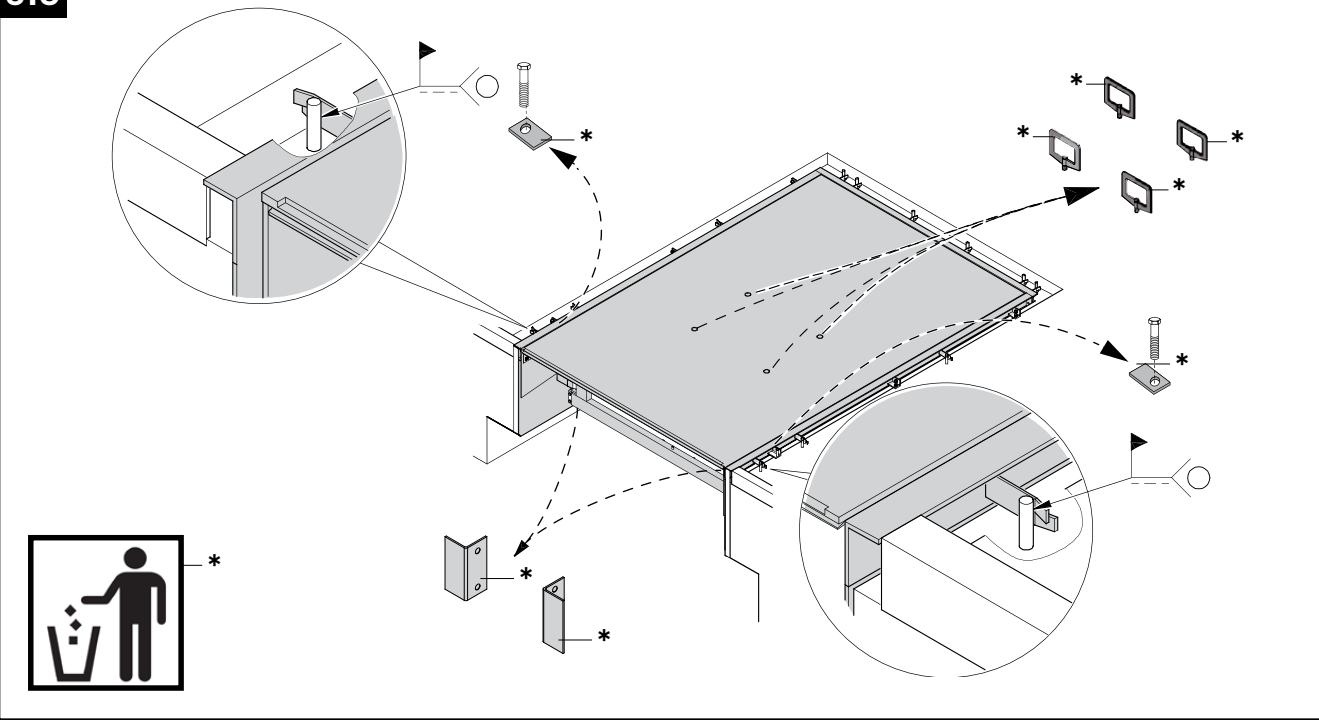


General instruction: The image may differ at detail level.



General instruction: The image may differ at detail level.

5.3

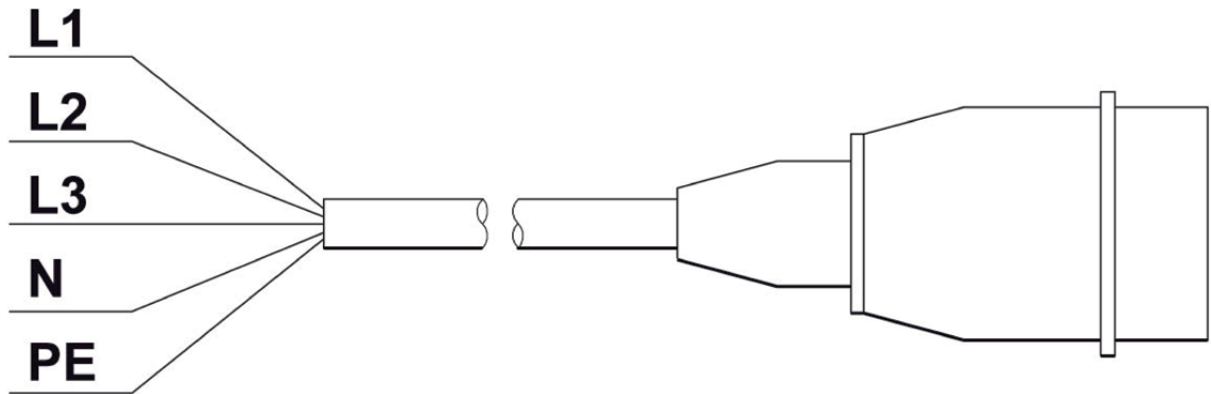


General instruction: The image may differ at detail level.

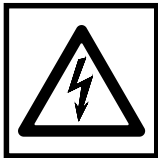
## 6. Electrical connections

### 6.1

EN

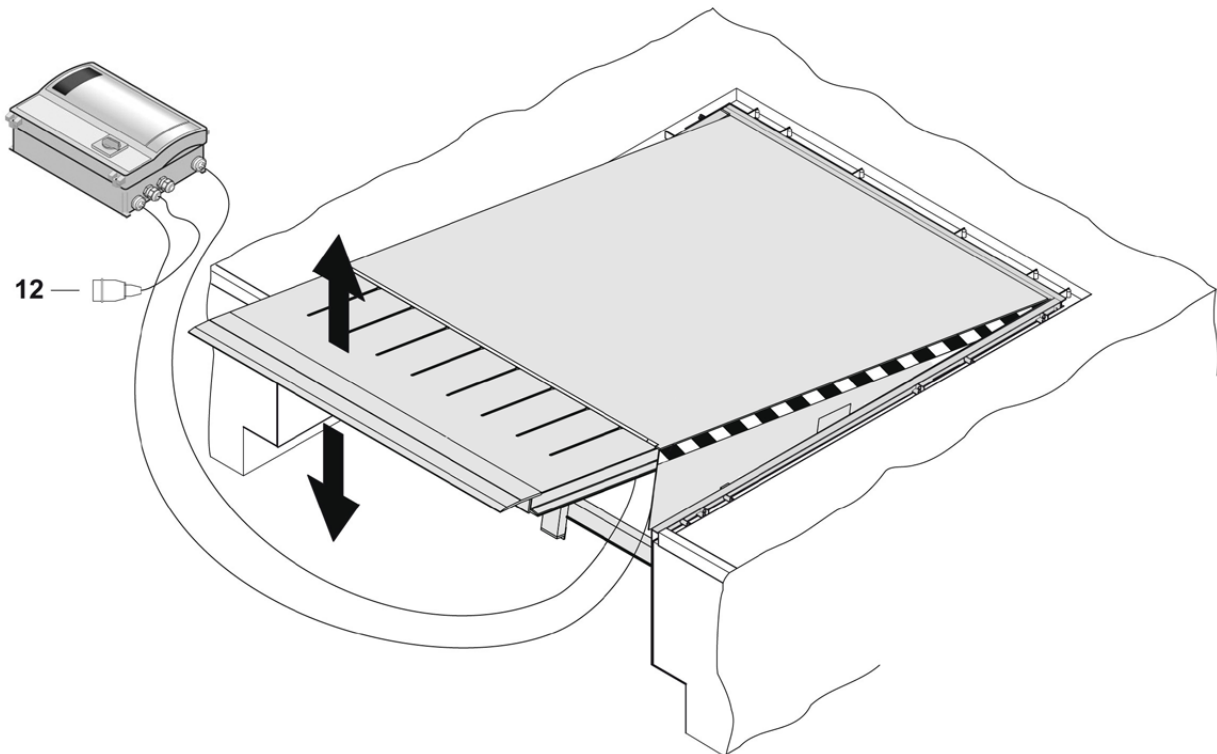


General instruction: The image may differ at detail level.



	(DE)	(EN)	(FR)	(NL)
L1 =	Braun (1)	Brown (1)	Brun (1)	Bruin (1)
L2 =	Schwarz (2)	Black (2)	Noir (2)	Zwart (2)
L3 =	Grau (3)	Grey (3)	Gris (3)	Grijs (3)
N =	Blau (4)	Blue (4)	Bleu (4)	Blauw (4)
PE =	gelb/grün	yellow/green	jaune/vert	geel/groen

### 6.2

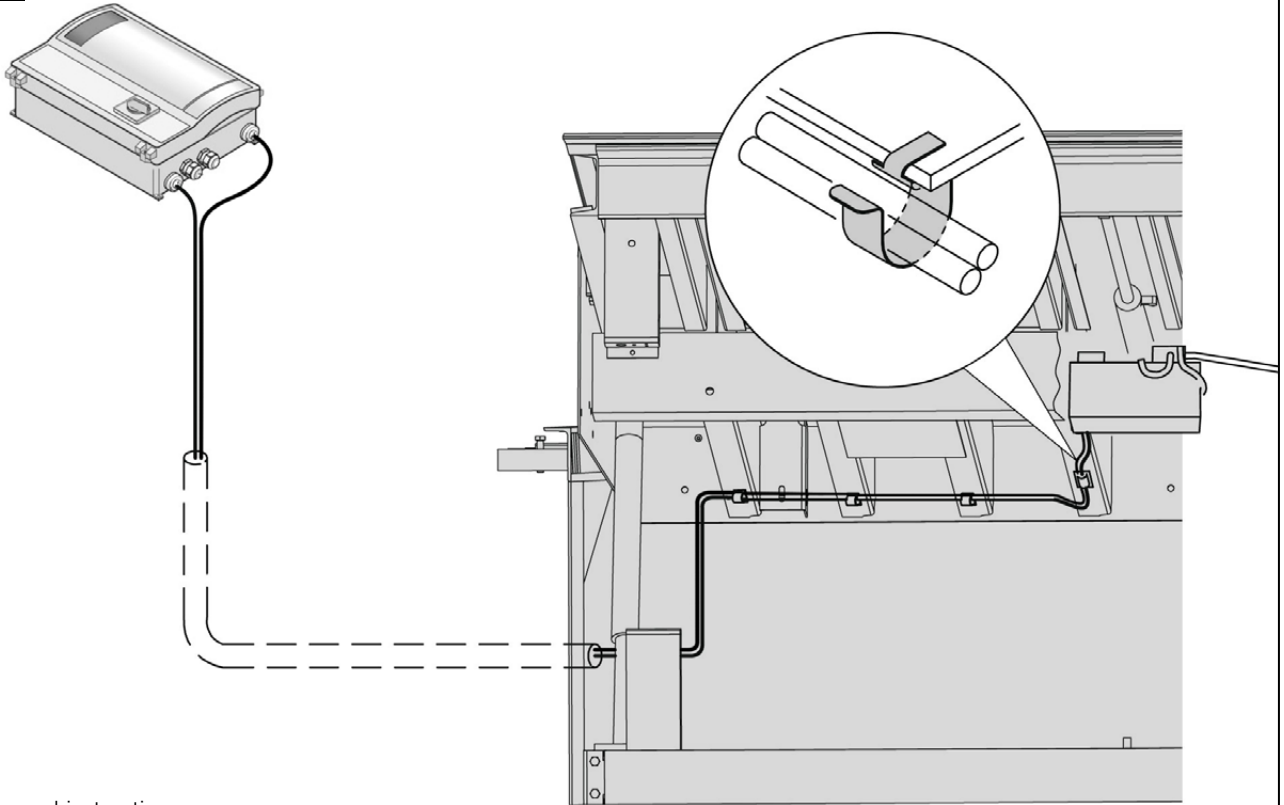


#### Instruction

Check that the hydraulic hose connections are all firmly tightened.

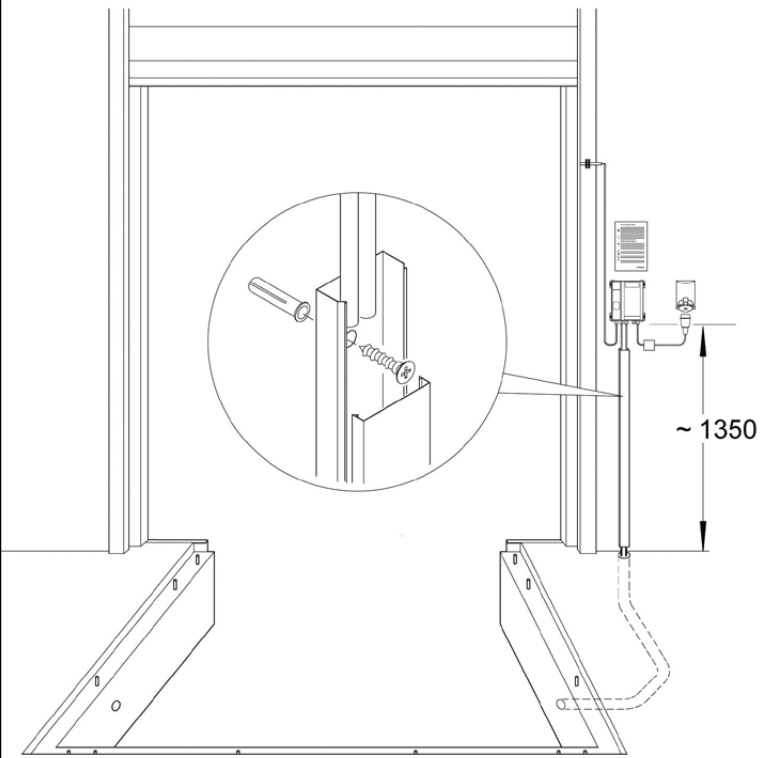
General instruction: The image may differ at detail level.

6.3



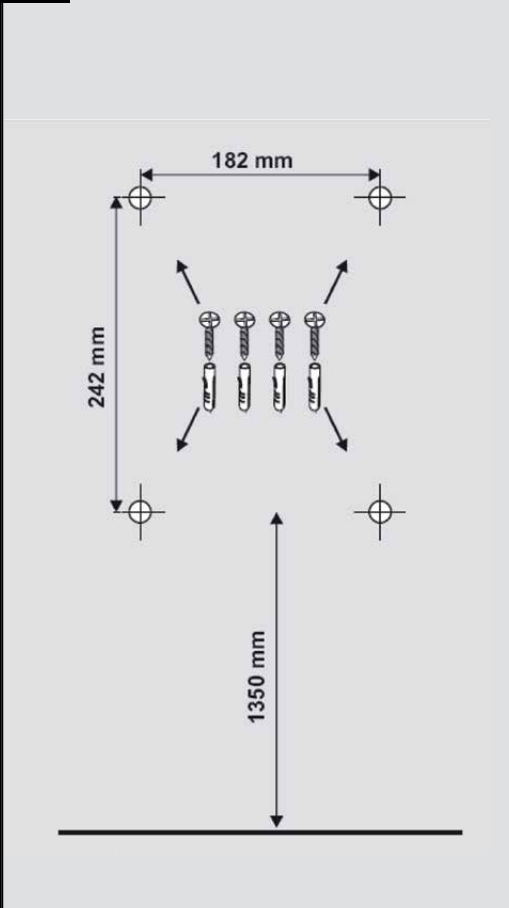
General instruction:  
The image may differ at detail level.

6.4



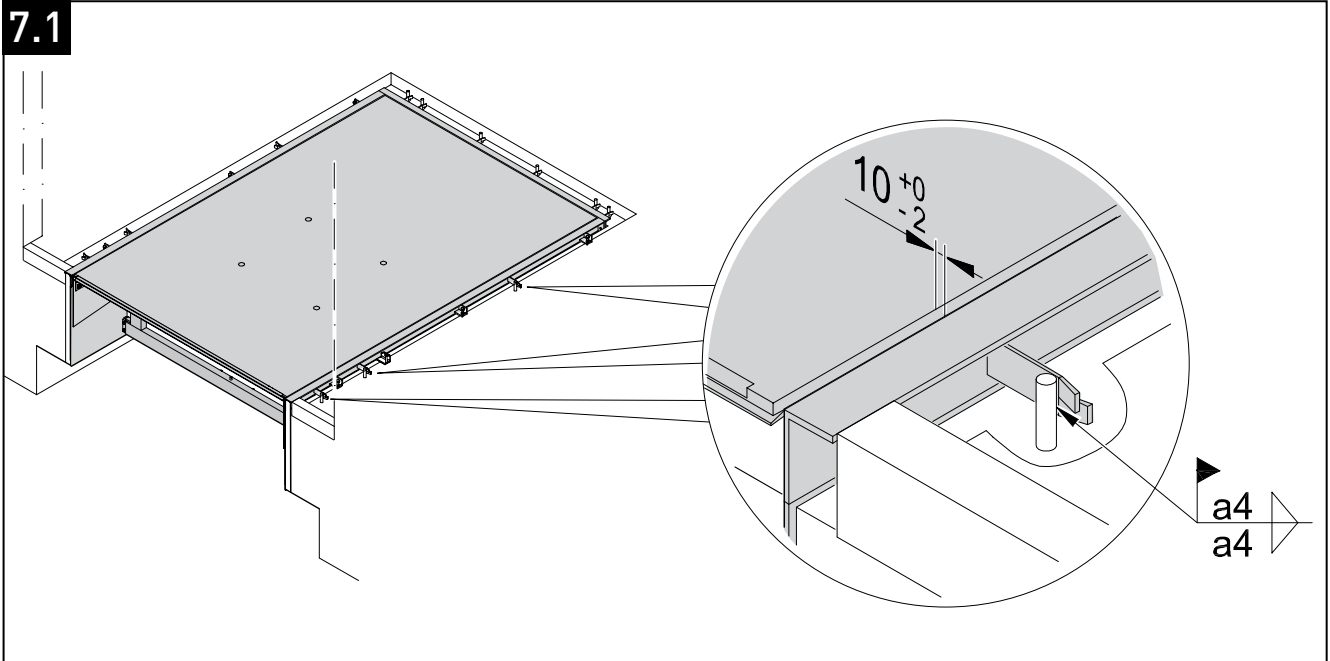
General instruction: The image may differ at detail level.

6.5



## 7. Final installation actions

EN



### Instruction

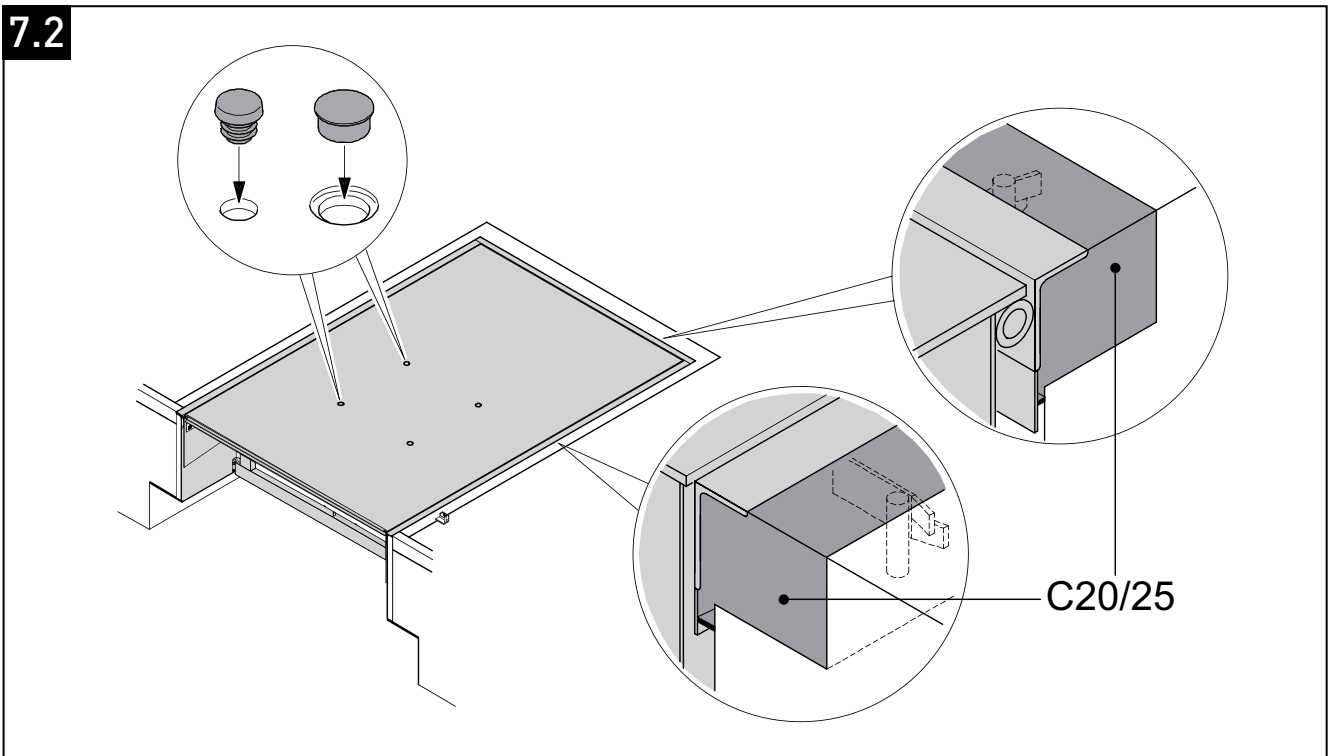
Weld the anchors on the leveller to the reinforcement or the dowels.



### Health hazard when welding galvanised components:

Welding galvanised parts produces vapours which can be harmful to health if inhaled. To avoid this, grind the zinc coating off the parts that are to be welded.

General instruction: The image may differ at detail level.



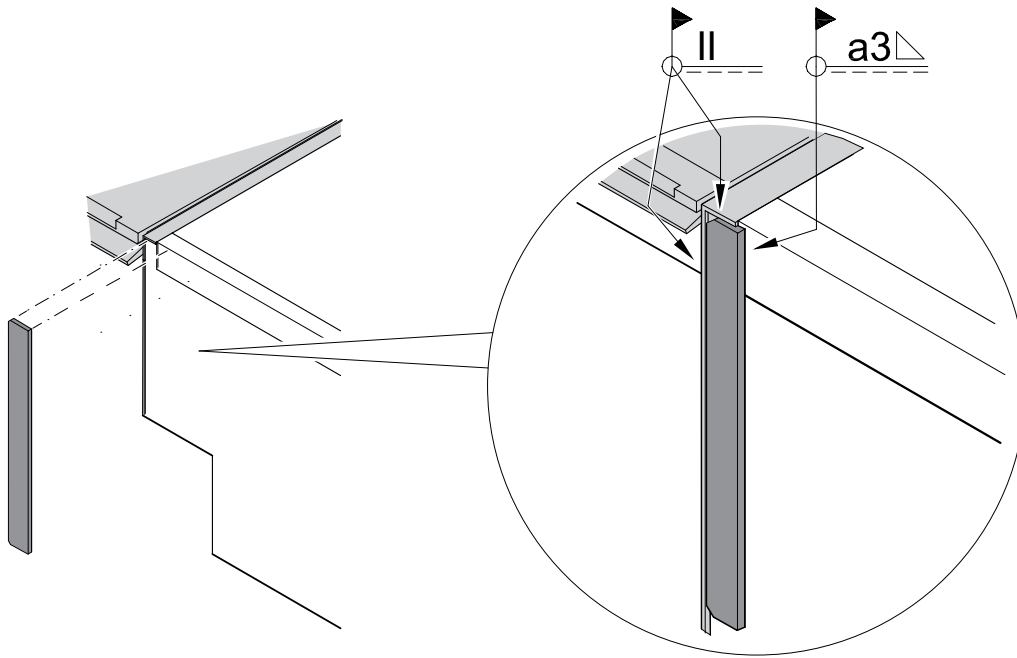
### Instruction

Before pouring the liquid concrete, the area adjoining the leveller must be shuttered in on site. We recommend covering the platform with a protective film before pouring the concrete. Pour the liquid concrete. Ensure use of a suitable grade of concrete, at least C20/25. In the case of a significant casting height, make sure that the side loads caused by pouring and compacting do not become excessive. Excessive loads could distort the side walls.

General instruction: The image may differ at detail level.



7.3



EN



**Instruction**

Paint the welded seams with the touch-up paint included in the scope of supply in order to prevent rust formation.

The front plate shown in 6.8 may not be required in combination with certain options. When docking buffers are installed, the front plate shown in figure 6.8 is not used. Depending on the design, the docking buffer plate included in the scope of supply should be welded in place. Please refer to the corresponding assembly instructions for this.

General instruction: The image may differ at detail level.

## 8. Optional buffers

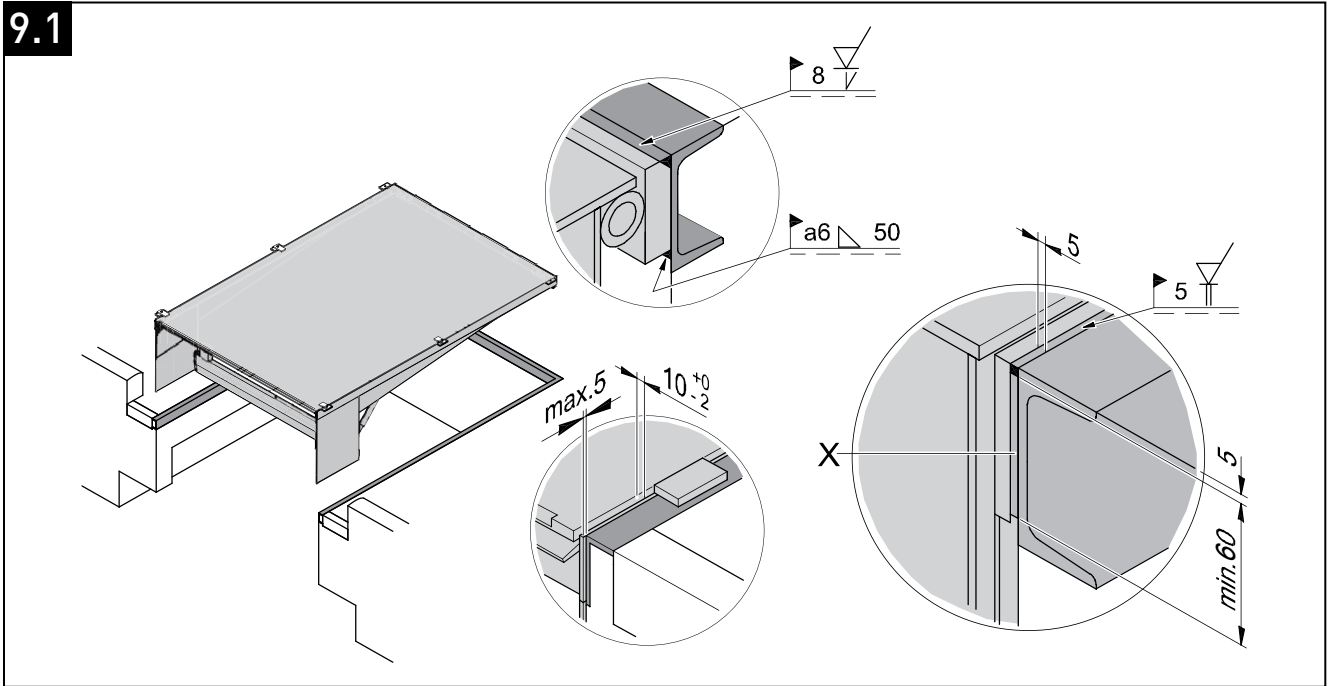


**Docking buffers (not included in the leveller scope of supply).**

Protect the docking platform and vehicles with suitable docking buffers. Docking forces in excess of 100 kN may require special measures. Please ask your supplier or the manufacturer.

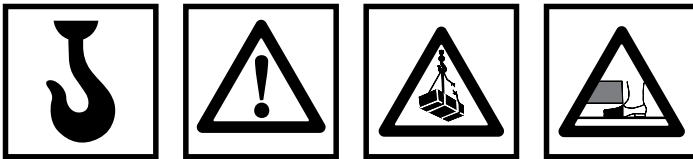
## 9. Frame AX

EN



**Instruction**

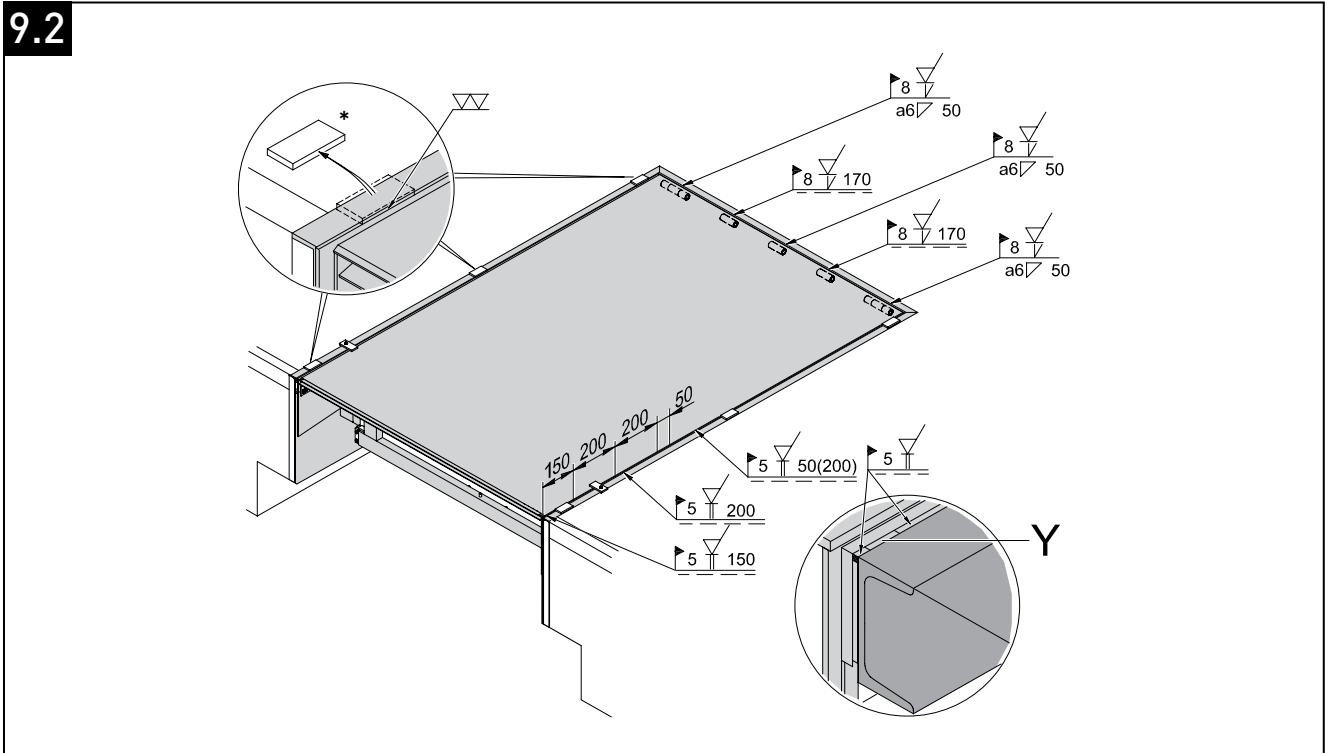
X Spacer plates in the area of the welded joints (not in scope of supply)



**Health hazard when welding galvanised components:**

Welding galvanised parts produces vapours which can be harmful to health if inhaled. To avoid this, grind the zinc coating off the parts that are to be welded.

General instruction: The image may differ at detail level.



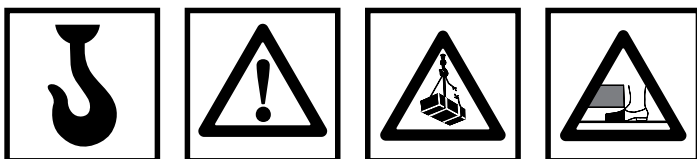
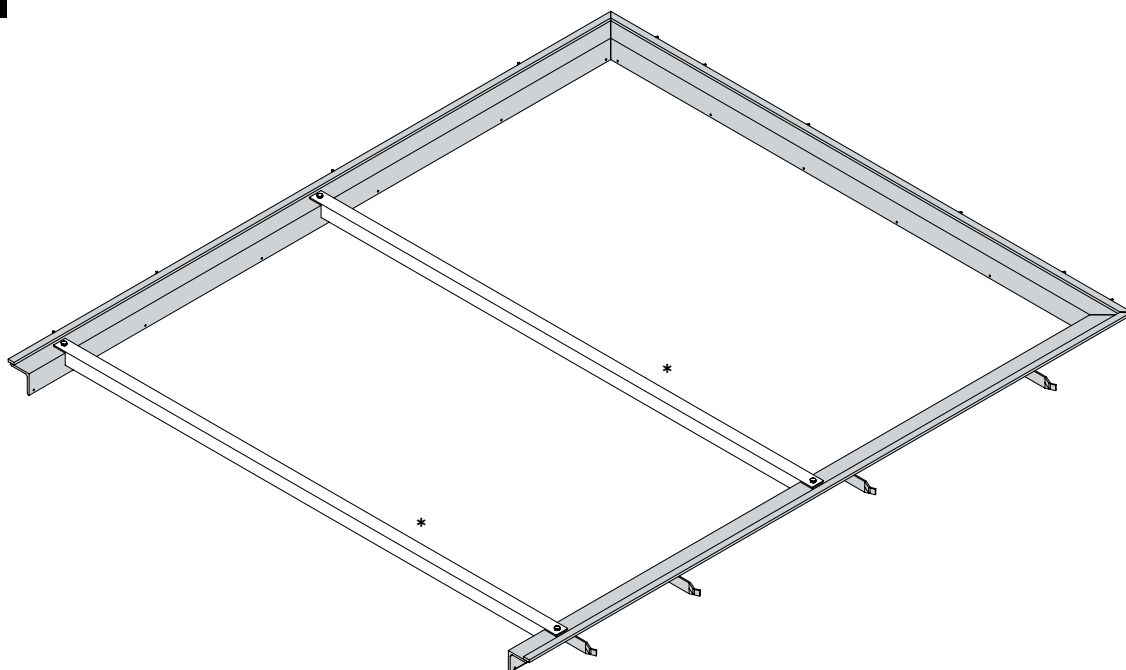
**Instruction**

\* Remove after welding

Y Hollow spaces must be sealed.

General instruction: The image may differ at detail level.

10.1

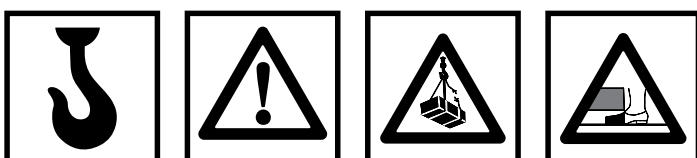
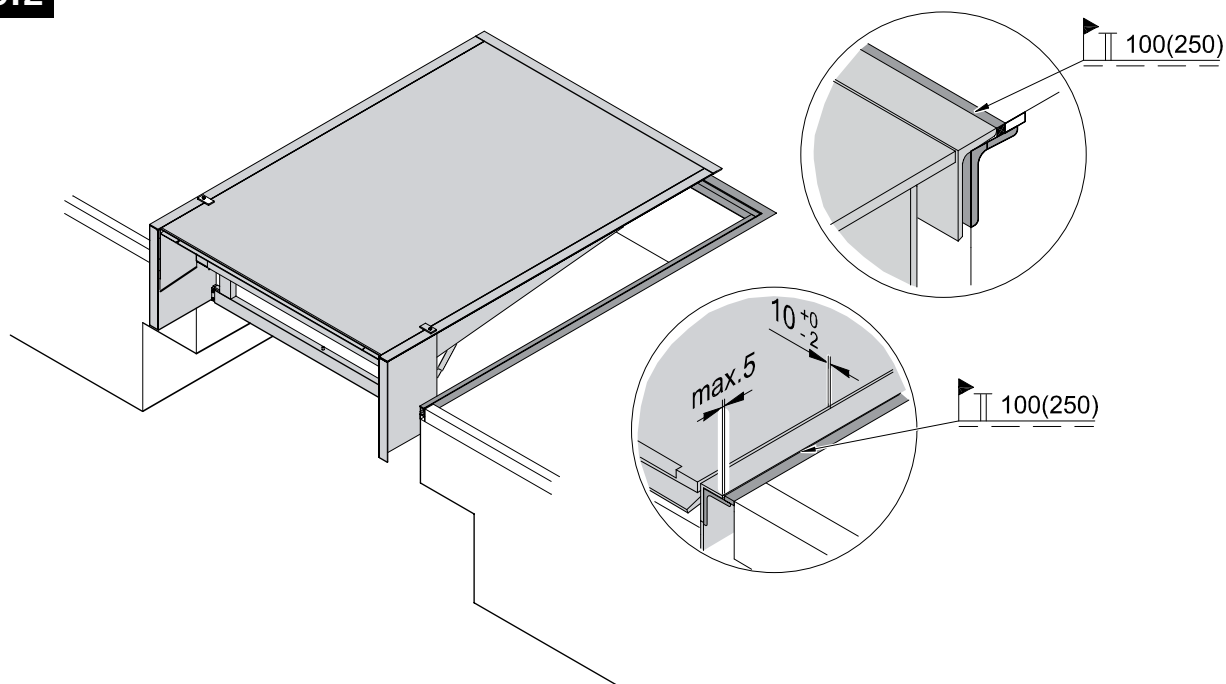


**Instruction**

Pre-frame can be constructed on site or delivered by Novoform.  
 \* Remove the braces before installing the leveller.

General instruction: The image may differ at detail level.

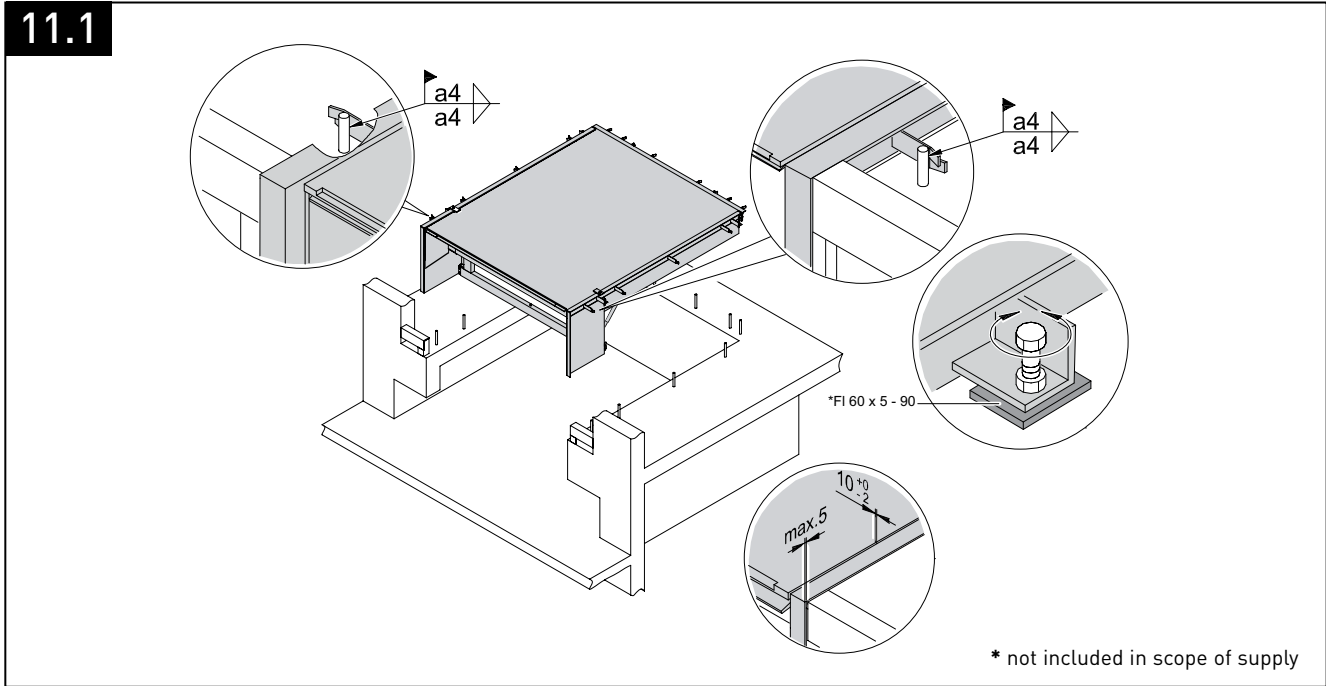
10.2



General instruction: The image may differ at detail level.

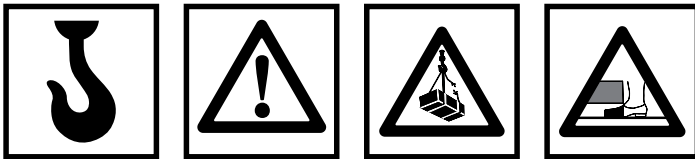
# 11. Frame DX

EN



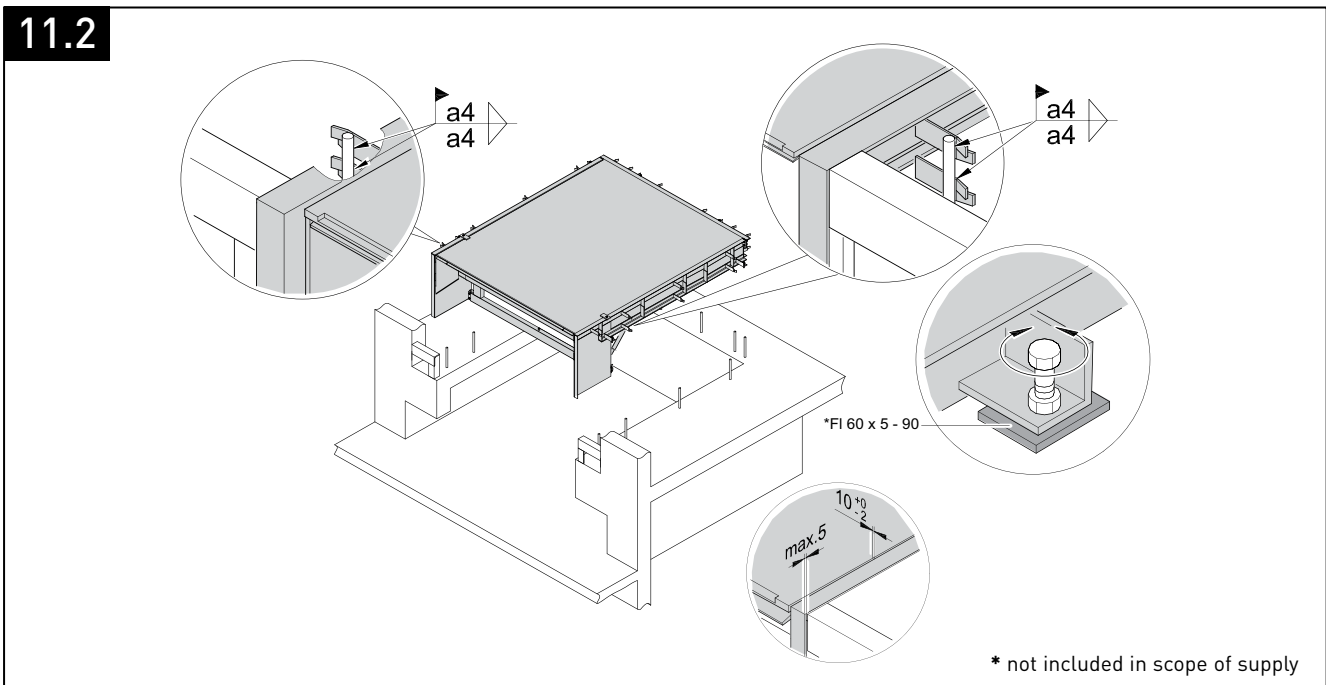
**Instruction**

Concrete embedding height 100 - 160 mm



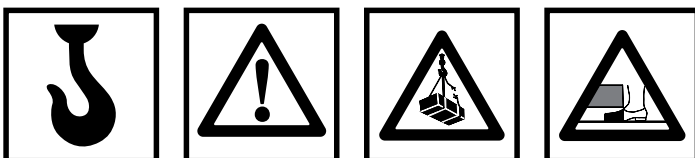
**Health hazard when welding galvanised components:**  
Welding galvanised parts produces vapours which can be harmful to health if inhaled. To avoid this, grind the zinc coating off the parts that are to be welded.

General instruction: The image may differ at detail level.



**Instruction**

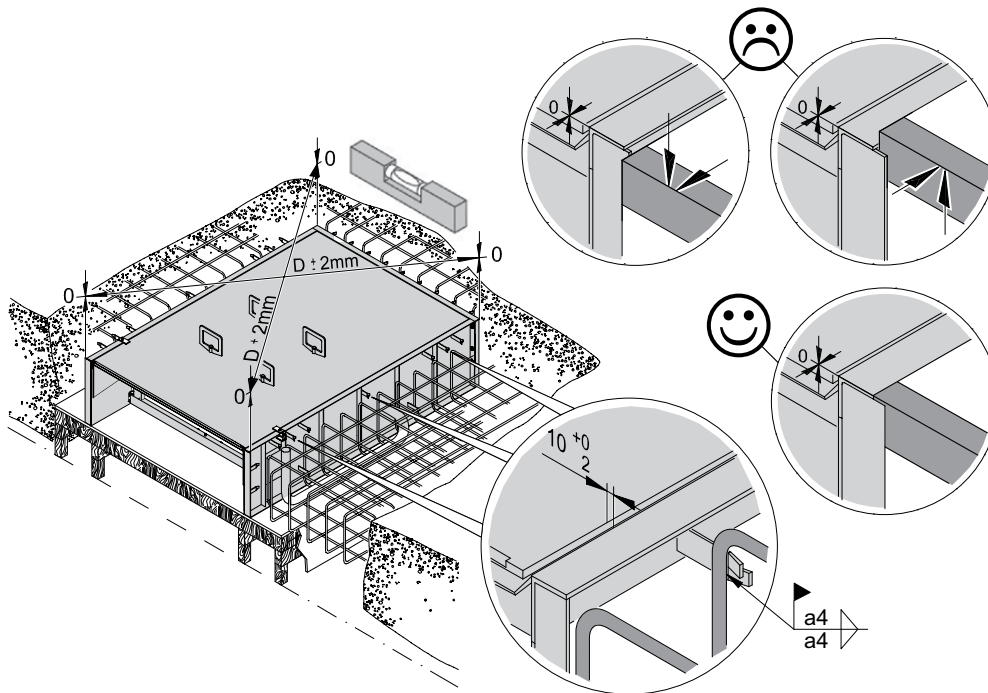
Concrete embedding height 160 - 250 mm



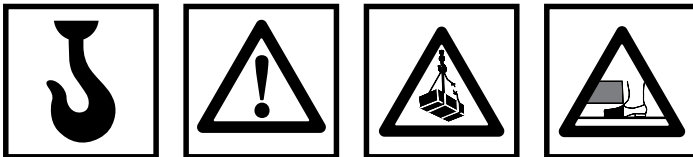
**Health hazard when welding galvanised components:**  
Welding galvanised parts produces vapours which can be harmful to health if inhaled. To avoid this, grind the zinc coating off the parts that are to be welded.

General instruction: The image may differ at detail level.

## 12.1



EN

**Instruction**

- Drill fixing holes in the upright wall of the frame.
- Maintain a gap of 10 mm.
- Use bracing if required.

**Pouring**

1. We recommend covering the visible parts with a protective film before pouring the concrete.
2. Pour the liquid concrete slowly and in layers. Ensure use of a suitable grade of concrete, at least C20/25. In the case of a significant casting height, make sure that the side loads caused by pouring and compacting do not become excessive. Excessive loads could distort the side walls.

**Health hazard when welding galvanised components:**

Welding galvanised parts produces vapours which can be harmful to health if inhaled. To avoid this, grind the zinc coating off the parts that are to be welded.

General instruction: The image may differ at detail level.

## 13. Commissioning

**13.1 Fittings**

- Remove the lifting eyes before commissioning.
- Remove the transportation immobilisers and spacers.
- Return parts that can be reused to the manufacturer or supplier.

**13.2 Functional test**

Levellers are tested and delivered including the hydraulic oil.

The following must be taken into consideration during commissioning:

- Check that the leveller platform and the loading bay floor are at the same height.

- Make sure that the operators receive instruction.
- Perform a trial run.
- When doing so, refer to the separate manual for the controls.
- Check that the leveller operates smoothly and without excessive noise.
- Have the safety features tested.

Montageanleitung  
**NovoDock L530i**

DE

**Deutsch**

# Inhalt

1. Einführung .....	17
2. Allgemeine Hinweise .....	18
3. Bauseitige Vorbereitung .....	20
4. Montage Vorbereitung .....	21
5. Montageanleitung Rahmen CX.....	22
6. Elektrische Anschlüsse .....	24
7. Fertigstellung Montage .....	26
8. Option: Puffer.....	27
9. Rahmen AX .....	28
10. Rahmen BX .....	29
11. Rahmen DX .....	30
12. Rahmen EX.....	31
13. Inbetriebnahme.....	31
Notizen .....	80
Copyright .....	81

## 1. Einführung

Sehr geehrter Kunde,

Wir danken Ihnen für die Wahl eines Novoferm Produkts. Wir hoffen, dass Sie zufrieden sind und dass es alle Ihre Erwartungen erfüllt.

Der ordnungsgemäße Betrieb und die Wartung steigern die Leistung und Lebensdauer der Überladebrücke zu einem großen Teil. Bedienungsfehler und mangelhafte Wartung führen zu unvermeidlichen Störungen. Darüber hinaus ist der nachhaltige und sichere Betrieb nur bei normaler Bedienung und sorgfältiger Wartung gewährleistet.



### Beachten Sie:

Je nach gewähltem Zubehör kann die Lieferung zusätzliche Montageanleitungen umfassen, zum Beispiel für die Steuerung der Überladebrücke. Lesen Sie diese Anleitungen sorgfältig und vollständig. Bitte beachten Sie die Hinweise und befolgen Sie die Sicherheits- und Warnhinweise sorgfältig.

++ WARNUNG +++ WARNUNG +++ WARNUNG ++

## 2. Allgemeine Hinweise



### Lesen Sie dies zuerst!

- Das Anwendungsgebiet dieser Überladebrücke ist in der EN 1398 beschrieben.
- Montage, Reparaturen, Wartung und Demontage sind von einem sachkundigen Fachmann durchzuführen.
- Bei Inbetriebnahme muss der sachkundige Monteur auf mögliche Gefahren achten und sich davon überzeugen, dass die Überladebrücke einwandfrei funktioniert.

++ WARNUNG +++ WARNUNG +++ WARNUNG ++

### 2.1 Allgemeine Hinweise

- Lesen Sie die Montageanleitung vollständig durch, bevor Sie das Produkt in Gebrauch nehmen! Beachten Sie die Bemerkungen und halten Sie sich an die Sicherheits- und Warnhinweise!



### Warnung

- Schalten Sie bei allen Arbeiten während der Installation den Strom ab und sichern Sie die Anlage gegen unbefugtes Einschalten.
- Bei Montage können Teile herunfallen, was zu Verletzungen von Personen und Beschädigungen von Gegenständen führen kann.
- Bei Kontakt mit Strom besteht die Gefahr eines Stromschlags. Stellen Sie sicher, dass die elektrische Installation beim Kunden laut geltenden Sicherheitsanforderungen hergestellt wurde.
- Niemals Netzspannung an die Steuereinheit anschließen, dies führt zu irreparablen Schäden an der Elektronik.
- Führen Sie Schweiß- und Schleifarbeiten an der Überladebrücke nur aus, wenn es ausdrücklich an dieser Stelle gestattet ist. Sorgen Sie für ausreichende Belüftung um die Explosionsgefahr von Staub und anderen brennbaren Materialien zu verhindern.

++ WARNUNG +++ WARNUNG +++ WARNUNG ++

Beachten Sie, dass allgemein anerkannte, gesetzliche und sonstige verbindliche Regelungen zur Unfallverhütung und zum Umweltschutz, nationale Vorschriften und anerkannten Regeln der Technik für die sichere und ordnungsgemäße Ausführung der Arbeiten eingehalten werden.

- Prüfen Sie die Eignung der mitgelieferten Befestigungsmittel entsprechend der baulichen Gegebenheiten. Verwenden Sie nur geeignete Befestigungsmittel.
- Führen Sie die Schritte entsprechend den Montagezeichnungen der Reihenfolge nach aus!

- Verwenden Sie nur ordnungsgemäße und passende Werkzeuge!
- Führen Sie nur Arbeiten an der Überladebrücke durch, wenn die Überladebrücke außer Betrieb gestellt ist.
- Nichtbeachtung dieser Maßnahmen können ernsthafte Verletzungen sowie Materialbeschädigungen zur Folge haben!
- Die zu verwendenden Komponenten sind aus hochwertigen, dauerhaften und soliden Werkstoffen gefertigt. Trotzdem muss während der Montage vorsichtig vorgegangen werden, um Beschädigungen vorzubeugen.
- Tauschen Sie eventuell beschädigte Teile immer gegen Originalersatzteile aus. Andernfalls ist die ordnungsgemäße Funktion der Überladebrücke nicht gewährleistet! Außerdem entfällt die Gewährleistung!

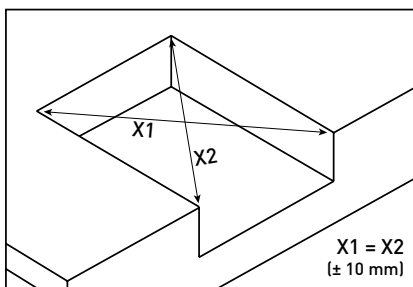
### 2.2 Vor der Montage prüfen:

Prüfen Sie vor der Montage folgende Gegebenheiten:

- Entspricht der vorhandene Netzanschluss den Erfordernissen der Überladebrücke?
- Sind geeignete Kabel und Sicherungen vorhanden?
- Bei Ausführungen, die in eine vorbereitete Grube montiert werden: Entspricht die Grube den entsprechenden Einbauzeichnungen und ist ein Leerrohr mit einem Durchmesser von 70mm zur Verlegung des Kabels vorgesehen?

Beginnen Sie erst mit der Montage, wenn alle Voraussetzungen erfüllt sind.

Zur Kontrolle der Maßgenauigkeit messen Sie Länge und Breite der Grube, die Höhe an der Vorder- und Rückseite sowie die Diagonalen. Die Länge der Diagonalen (X) dürfen nicht mehr als 10 mm von einander abweichen.



Hinweis: In der Breite muss die Überladebrücke exakt waagrecht eingebaut werden. Andernfalls kann die Funktionsfähigkeit der Überladebrücke eingeschränkt sein. Ebenso besteht die Gefahr einer Beschädigung der Überladebrücke.

### 2.3 Montagewerkzeug

Für die Montage benötigen Sie folgendes Montagewerkzeug:

- Schweißgerät ESAB caddy 200 (5–200A) o. ä.
- Schweißstab ESAB OK 48.00 3,25 o. ä.

### 2.4 Hebezeuge

- Gabelstapler: Traglast von mindestens 35 kN, Gabellänge 2000 mm, oder
- Kran: Traglast von mindestens 35 kN im benötigten Arbeitsbereich.

### 2.5 Elektrische Anschlüsse

- Kabel: 7x 0,75mm<sup>2</sup>
- Motorkabel: 4 x 1,5mm<sup>2</sup>

### 2.6 Funktionsprüfung

- Überprüfen Sie alle Betriebszustände der Überladebrücke nach Abschluss der Montage. Benutzen Sie dafür das Prüfbuch für Überladebrücken.
- Füllen Sie das Prüfbuch wahrheitsgemäß aus und unterschreiben Sie dieses.
- Übergeben Sie dann diese Montageanleitung zusammen mit den anderen Unterlagen an den Kunden.



### Warnung

Eine defekte Überladebrücke kann zu Verletzungen von Personen und Beschädigungen von Gegenständen führen. Verwenden Sie die Überladebrücke nur, wenn diese im einwandfreien Zustand ist.

++ WARNUNG +++ WARNUNG +++ WARNUNG ++

### 2.7 Inbetriebnahme

- Die Überladebrücke darf erst nach Abgabe der Konformitätserklärung in Gebrauch genommen werden.
- Leiten Sie die Benutzer an, wie die Überladebrücke zu bedienen ist. Lassen Sie nicht zu, dass Dritte (zum Beispiel Besucher) die Überladebrücke bedienen.
- Diese Montageanleitung ist dem Kunden zu übergeben und während der gesamten Nutzungsdauer aufzubewahren!
- Ändern Sie nichts an der Software der programmierbaren Steuerung.
- Änderungen oder Erweiterungen des gelieferten Produkts dürfen nur durch den Lieferanten erfolgen.



### Warnung

Bewegungen der Überladebrücke können Verletzungen bei Menschen oder Sachschaden verursachen.

- Stellen Sie sicher, dass sich während der Bewegung keine Personen oder Gegenstände im Bereich der Überladebrücke befinden.
- Verwenden Sie die Überladebrücke nie, um Personen oder Gegenstände zu heben.

++ WARNUNG +++ WARNUNG +++ WARNUNG ++



- Für Schäden, die durch Nichtbeachtung der Montageanleitung oder unsachgemäße Nutzung hervorgerufen werden, haftet der Hersteller nicht.
- Bitte beachten Sie, dass die geltenden Vorschriften eine jährliche Prüfung der Überladebrücke durch einen Sachkundigen verlangen.
- Jedes Jahr oder alle 5.000 Zyklen ist eine Wartung durchzuführen.

## 2.8 Demontage

Bei der Demontage der Überladebrücke muss Kapitel 4 entsprechend der Ausführung von einem sachkundigen Monteur in umgekehrter Reihenfolge durchgeführt werden.

## 2.9 Qualifikation des Personals

Die Montage erfordert ausreichende Qualifikationen zur Durchführung von mechanischen und elektrotechnischen Arbeiten sowie je nach Modell Schweiß- und/oder Betonarbeiten.

Jegliche Arbeiten an der Überladebrücke setzen eingehende Fachkenntnisse voraus und dürfen nur von autorisierten Personen durchgeführt werden. Autorisierte Personen sind eingewiesene und geschulte Fachkräfte des Herstellers.

DE



### Hinweis!

Schlagen Sie Hebezeuge nur an den durch dieses Symbol gekennzeichneten Stellen an!  
Benutzen Sie immer alle vier Transportösen (mit Gabelstapler: mindestens zwei Transportösen)!



### Vorsicht, Lebensgefahr!

Verwenden Sie nur Hebezeuge in einwandfreiem Zustand sowie in vorgeschriebener Weise und mit einer Tragfähigkeit von mindestens 35 kN.  
Beachten Sie die für Ihr Unternehmen gültigen Unfallverhütungsvorschriften!  
Niemals unter schwebenden Lasten aufhalten oder arbeiten!



### Vorsicht!

Bleiben Sie vom Grubenrand zurück, damit keine Fußverletzungen auftreten!



### Hinweis!

Beachten Sie das seitliche Spaltmaß von 10 mm (+0, -2mm) zwischen Rahmen und Plateau.  
Der Rahmen muss horizontal ausgerichtet werden.



### Vorsicht!

Vor allen Arbeiten an der elektrischen Ausrüstung muss die Überladebrücke spannungslos sein und gegen Wiedereinschalten gesichert werden!  
Arbeiten am elektrischen Teil der Überladebrücke dürfen nur von besonders sachkundigem und autorisiertem Personal ausgeführt werden!



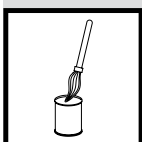
### Vorsicht!

Beachten Sie immer die gültigen Sicherheitsvorschriften!  
Der Anschluss muss von einem Elektrofachmann und nach Verdrahtungsplan erfolgen.  
Öffnen des Gehäuses nur, wenn sich der Hauptschalter in Stellung „0“ befindet.



### Hinweis!

Stellen Sie sicher, dass sich alle Funktionen der Überladebrücke vom Bedienplatz aus beobachten lassen. Die Einbaustelle der Elektrosteuering soll Spritzwassergeschützt sein. Sollten Sie irgendeine Fehlfunktion bemerken, sichern Sie sofort die Überladebrücke und informieren Sie den für Sie zuständigen Kundendienst von Novoform.

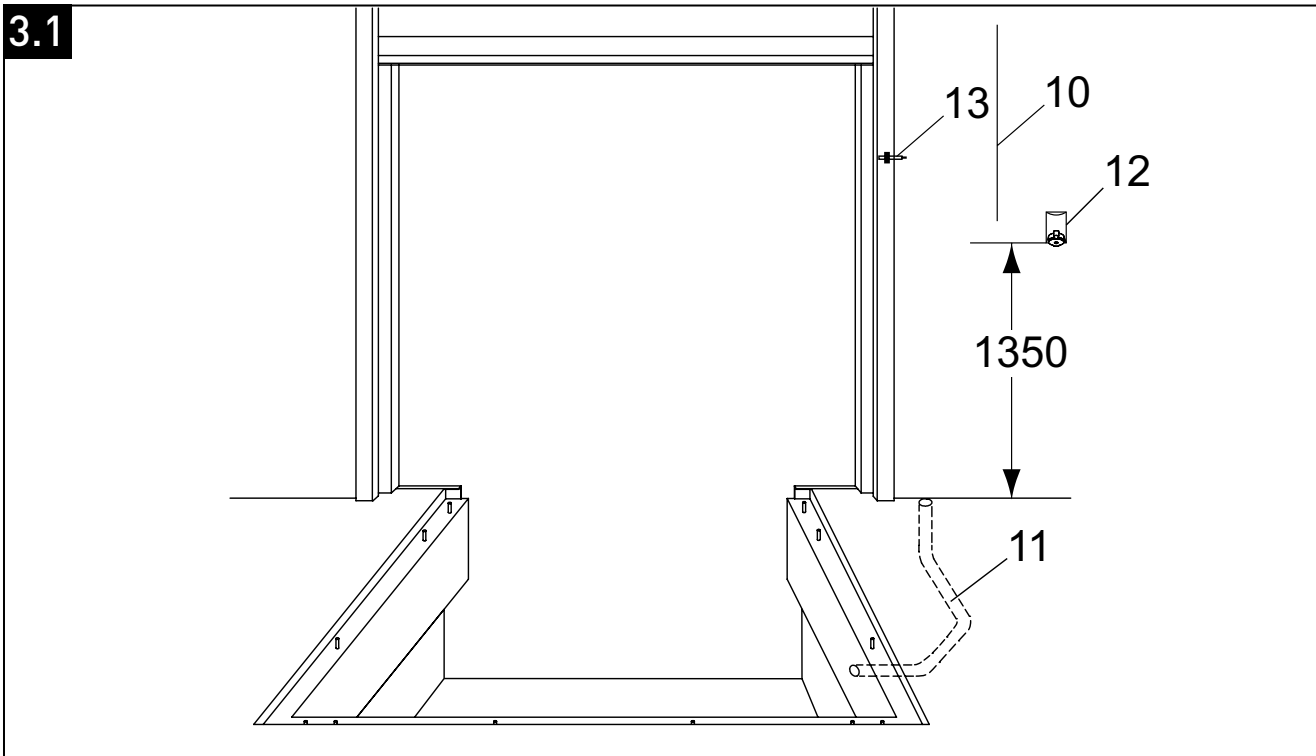


### Nachstreichen von geschweißten und beschädigten Oberflächen:

Zu bearbeitende Flächen müssen trocken und von Schmutz, Fett, Rost o. ä. befreit sein.  
Benutzen Sie Drahtbürste und Verdünnung.

- Kaltverzinkung auf die Flächen sprühen und ca. 30 Minuten trocknen lassen
- Nach der Montage sind alle Lackschäden mit der beigefügten Ausbesserungsfarbe nach zulackieren.

### 3. Bauseitige Vorbereitung

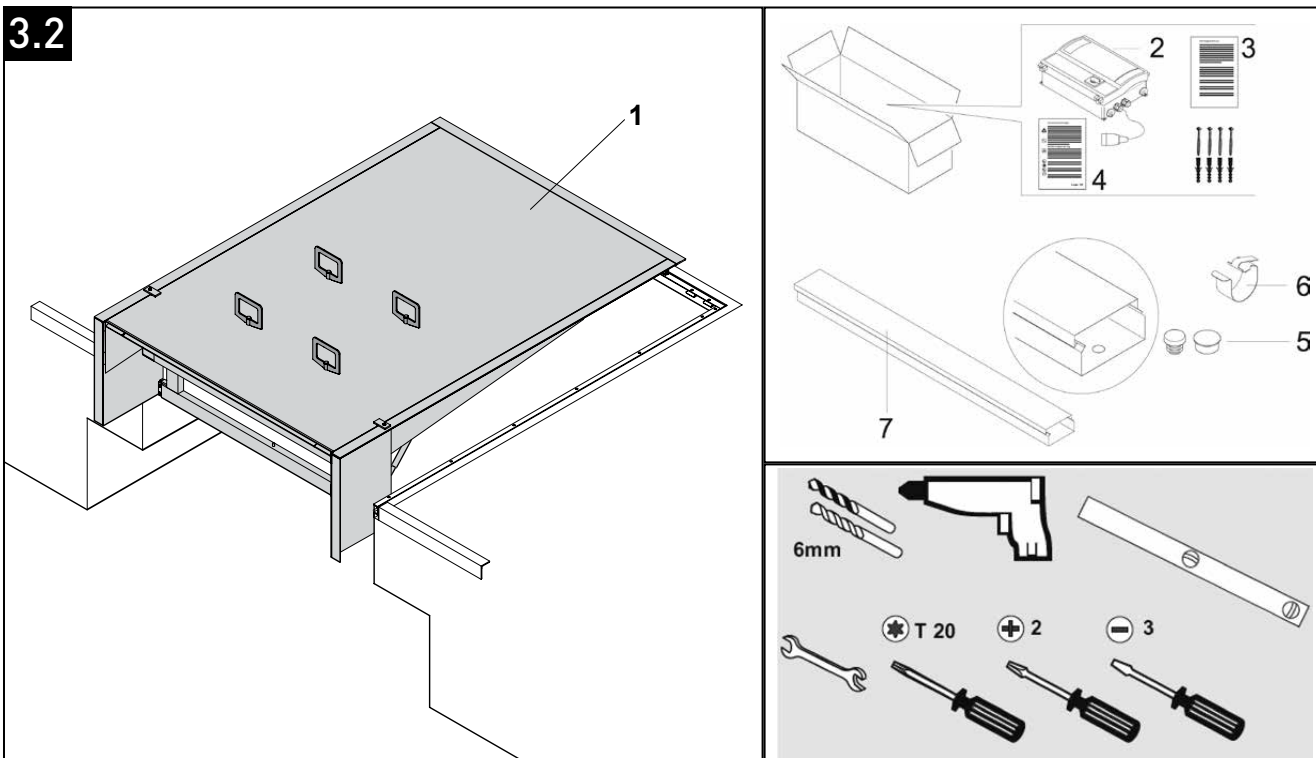


#### Bauseitige Vorbereitung

- 10** Netzanschluss: 3 / N / PE AC 50Hz 230/400V  
 Netzsicherung: D0 10A gl, Motorleistung: 1,5kW
- 11** Rohr für Elektroleitung, Innendurchmesser min. 70,  
 Rohrbögen  $\leq 45^\circ$

- 12** CEE Steckdose 16A
- 13** Sensor Position Tor (Optional)

Allgemeiner Hinweis: Darstellung kann im Detail abweichen.



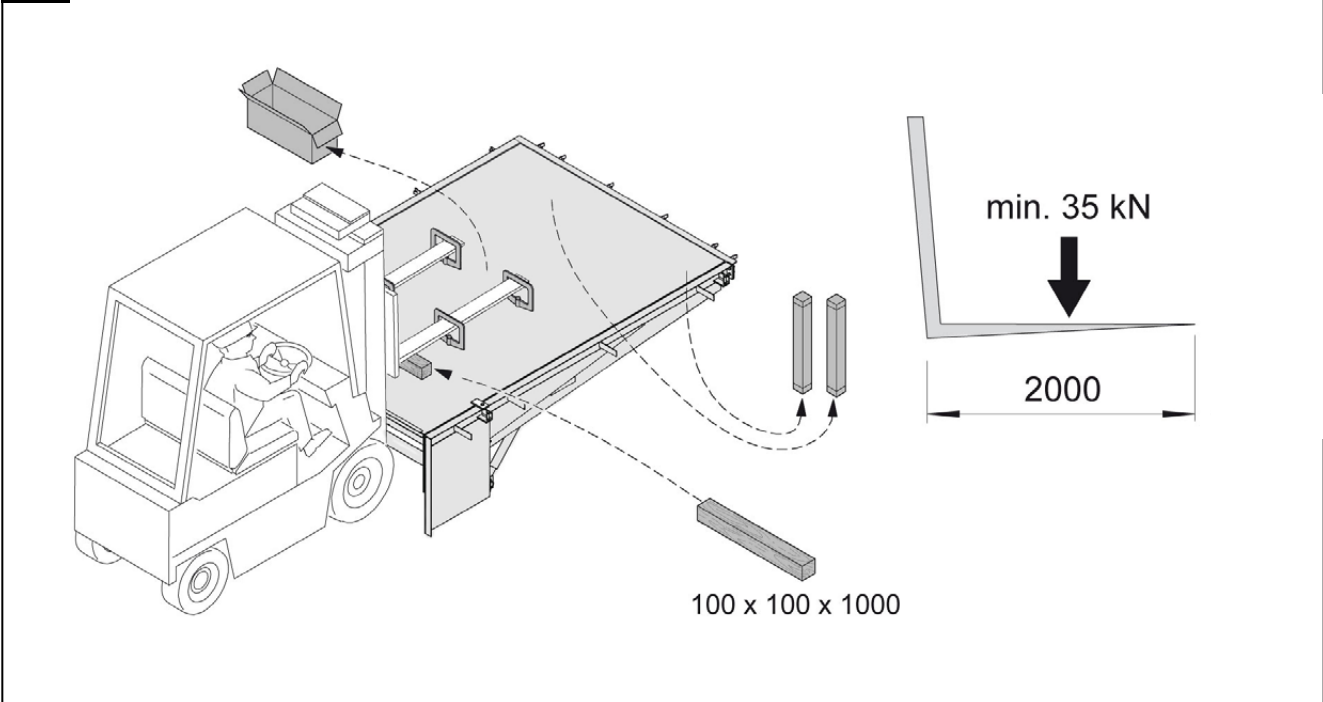
#### Montagematerial

- 1** Überladebrücke
- 2** Steuerung
- 3** Montage- und Bedienungsanleitung Steuerung
- 4** Kurzbedienungsanleitung

- 5** Plastikstopfen
- 6** Kabelschelle
- 7** Kabelkanal (nicht im Lieferumfang enthalten)

Allgemeiner Hinweis: Darstellung kann im Detail abweichen.

## 4.1

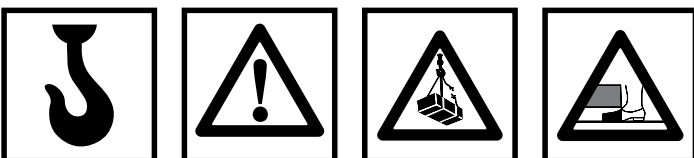
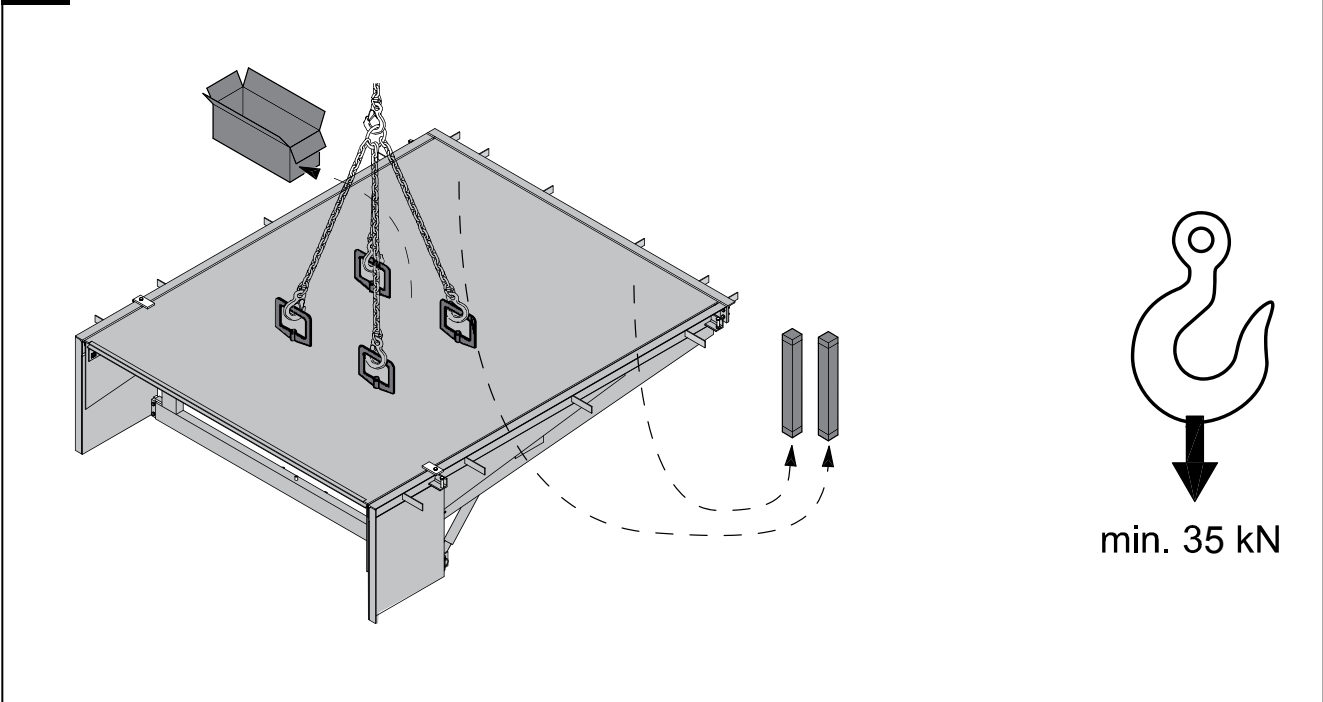


### Hinweis

- Holzbalken nicht im Lieferumfang enthalten.

Allgemeiner Hinweis: Darstellung kann im Detail abweichen.

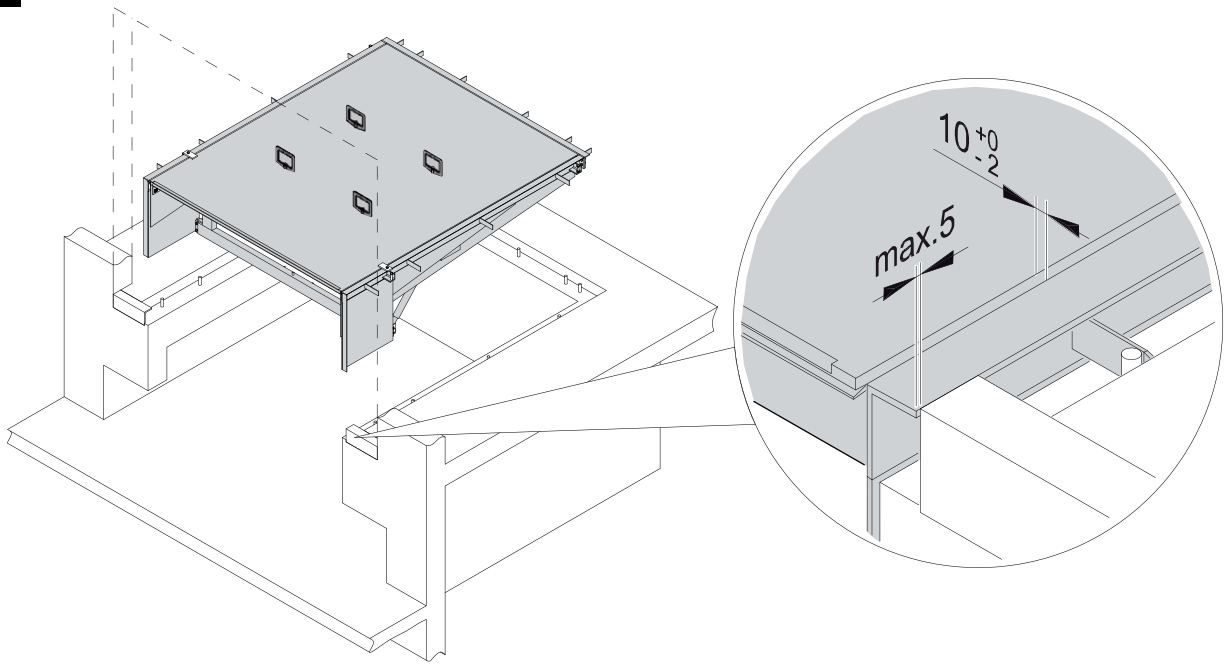
## 4.2



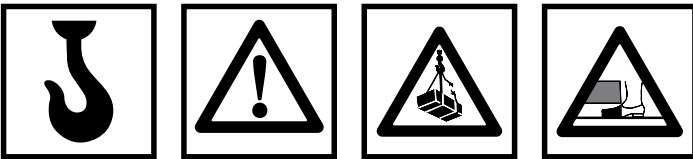
Allgemeiner Hinweis: Darstellung kann im Detail abweichen.

## 5. Montageanleitung Rahmen CX

5.1

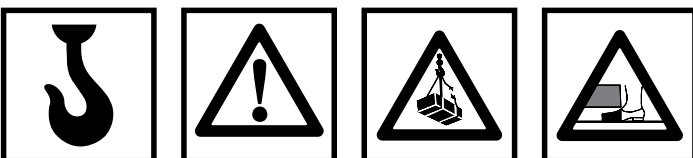
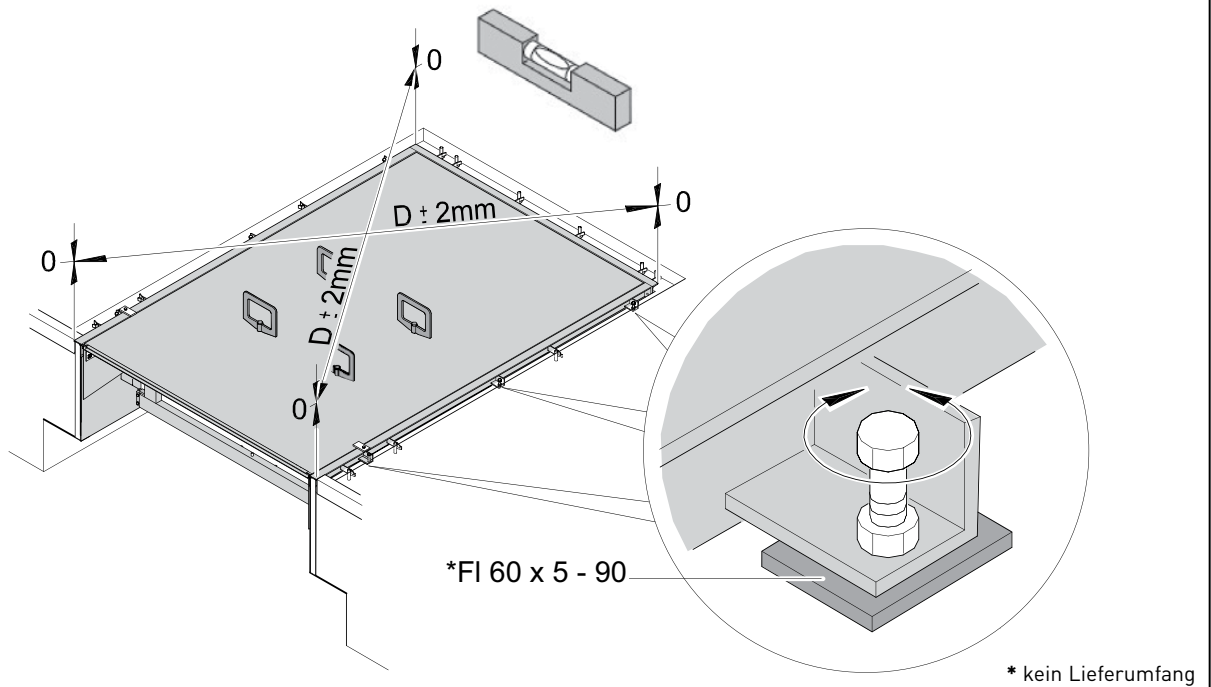


DE



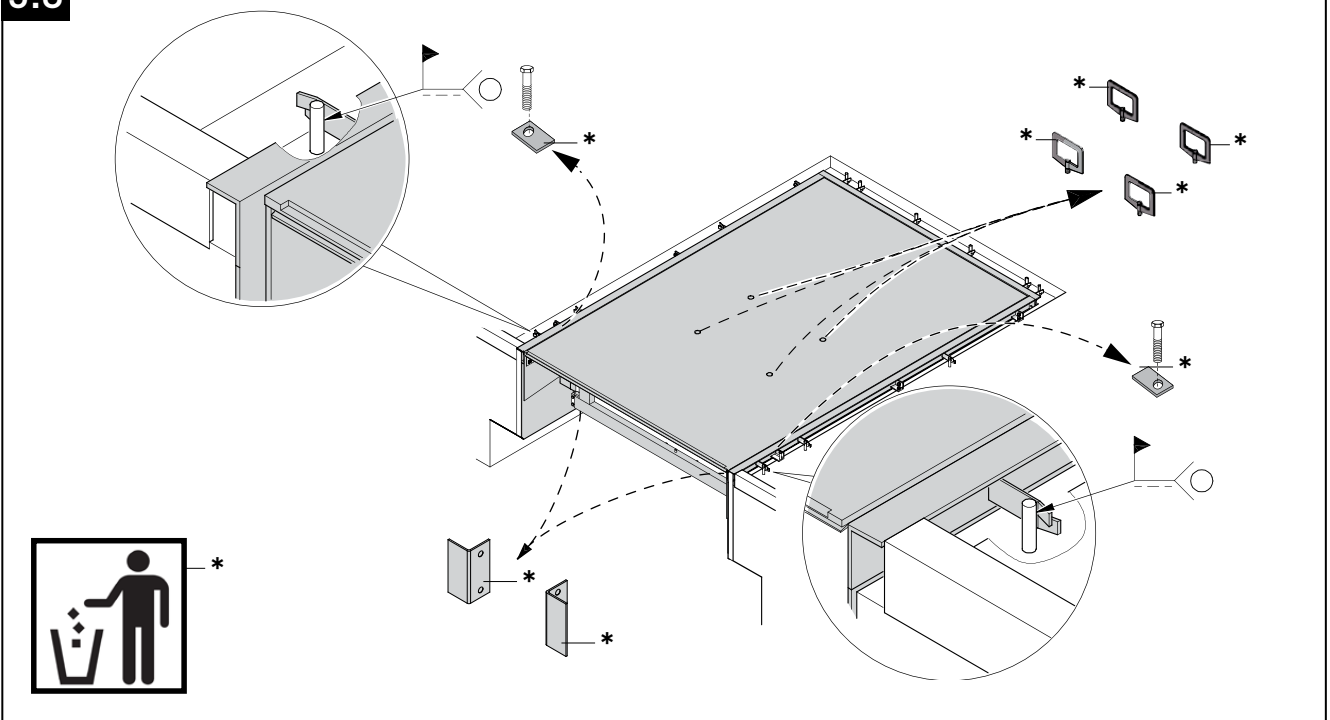
Allgemeiner Hinweis: Darstellung kann im Detail abweichen.

5.2

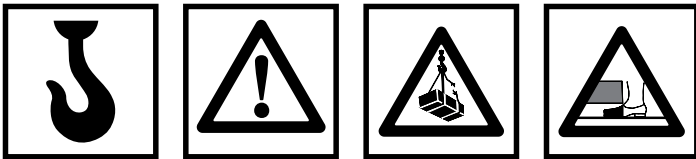


Allgemeiner Hinweis: Darstellung kann im Detail abweichen.

5.3



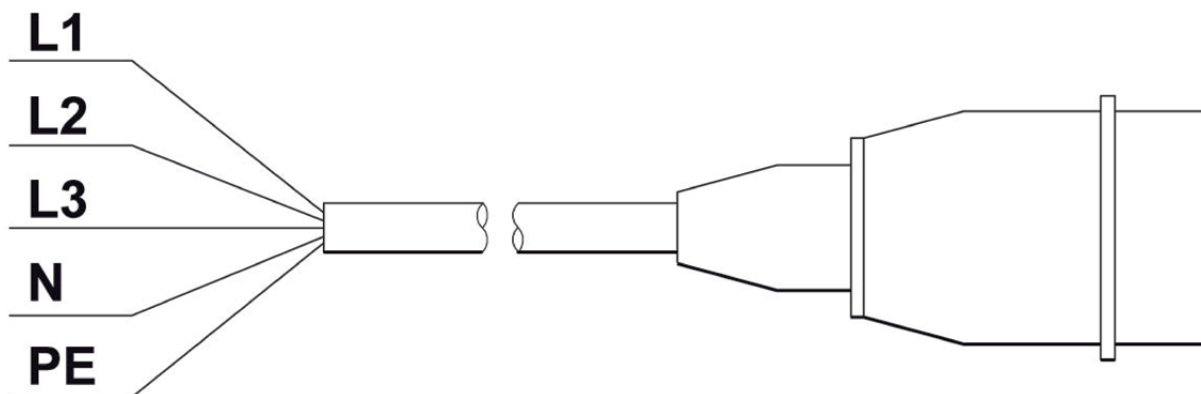
DE



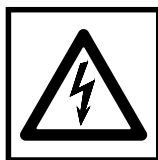
Allgemeiner Hinweis: Darstellung kann im Detail abweichen.

## 6. Elektrische Anschlüsse

### 6.1

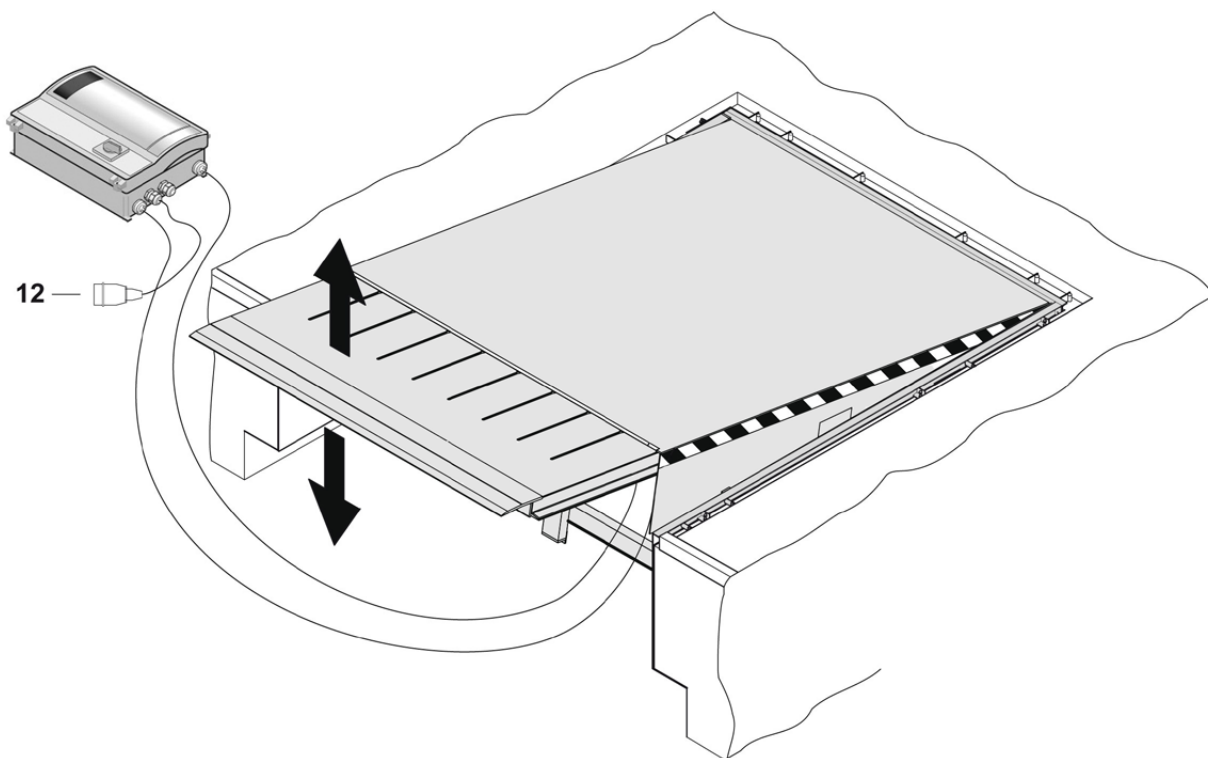


Allgemeiner Hinweis: Darstellung kann im Detail abweichen.



	(DE)	(EN)	(FR)	(NL)
L1 =	Braun (1)	Brown (1)	Brun (1)	Bruin (1)
L2 =	Schwarz (2)	Black (2)	Noir (2)	Zwart (2)
L3 =	Grau (3)	Grey (3)	Gris (3)	Grijs (3)
N =	Blau (4)	Blue (4)	Bleu (4)	Blauw (4)
PE =	gelb/grün	yellow/green	jaune/vert	geel/groen

### 6.2

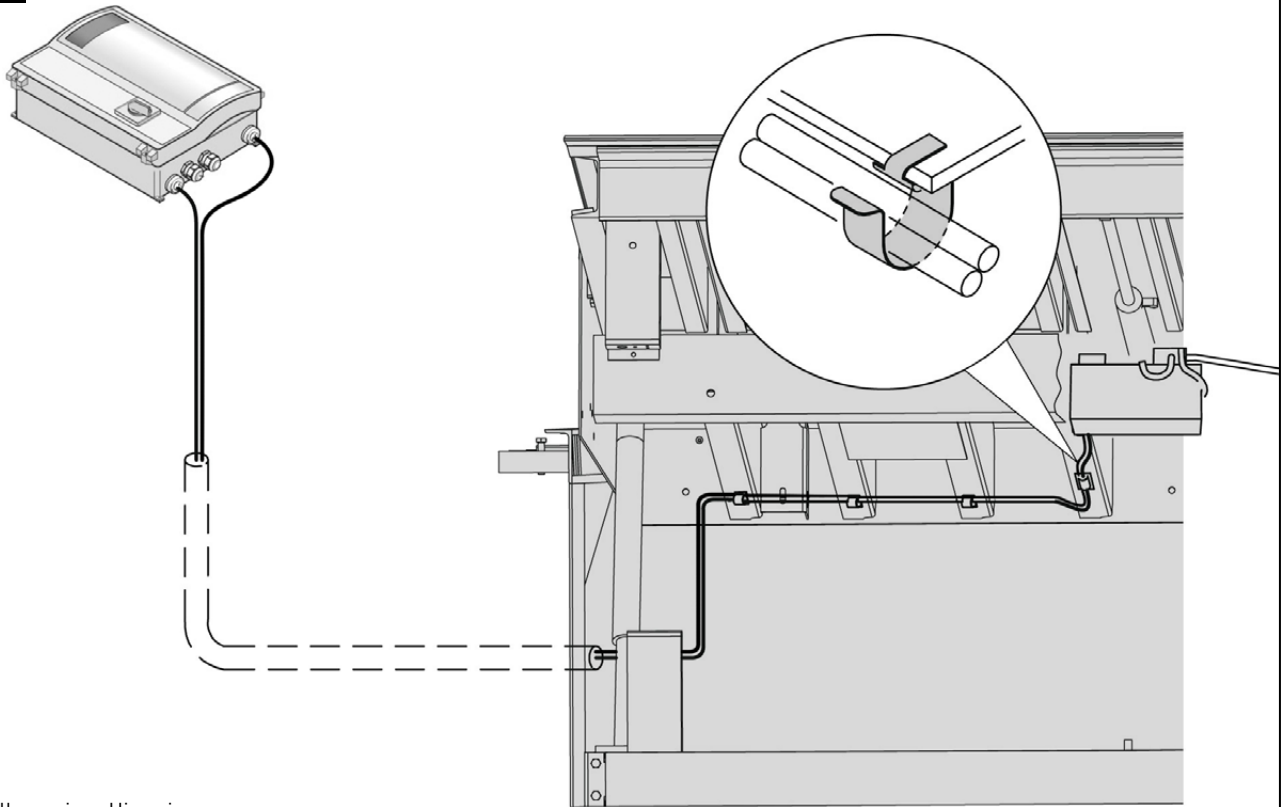


#### Hinweis

Schlauchverbindungen der Hydraulik sind auf festen Sitz zu überprüfen.

Allgemeiner Hinweis: Darstellung kann im Detail abweichen.

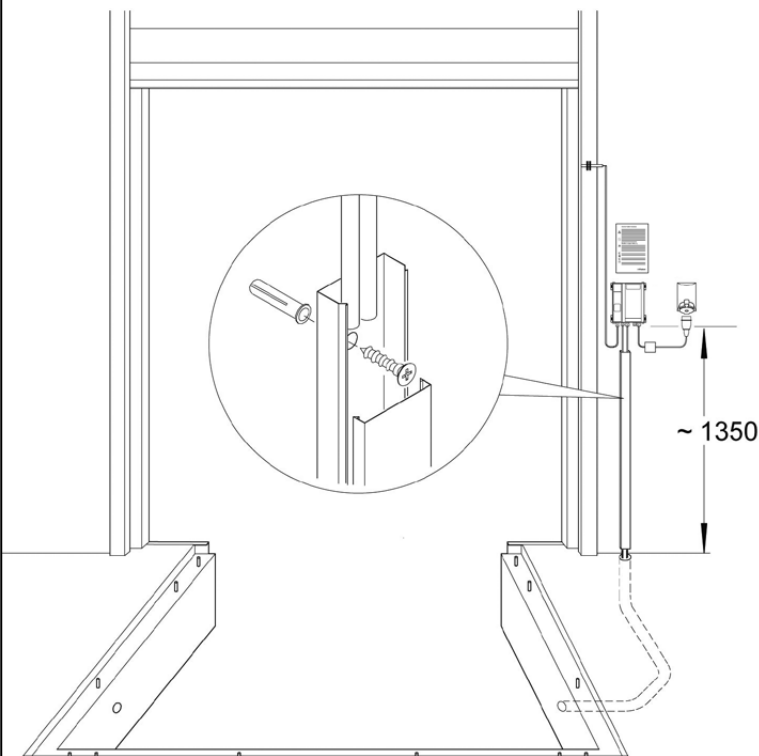
### 6.3



DE

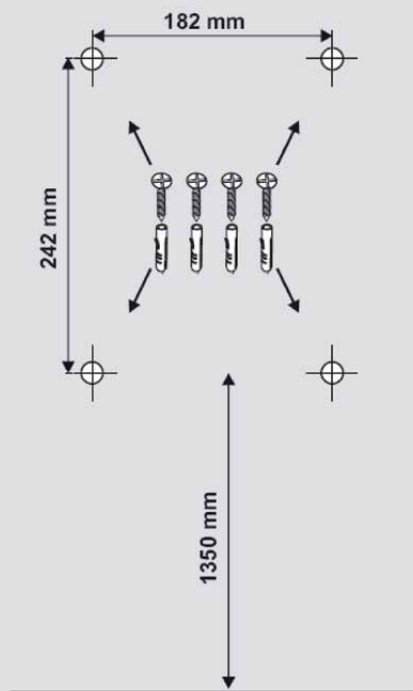
Allgemeiner Hinweis:  
Darstellung kann im Detail abweichen.

### 6.4



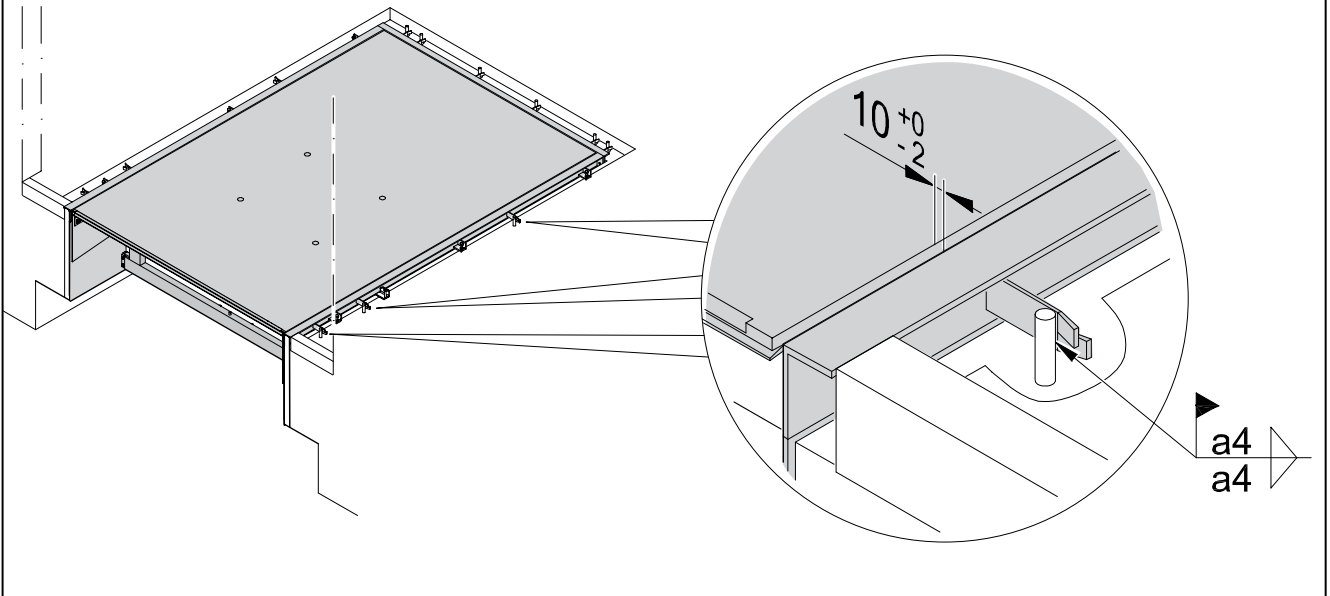
Allgemeiner Hinweis: Darstellung kann im Detail abweichen.

### 6.5



## 7. Fertigstellung Montage

7.1



### Hinweis

Schweißen Sie die Anker der Überladebrücke an die Bewehrung bzw. die Dollen.

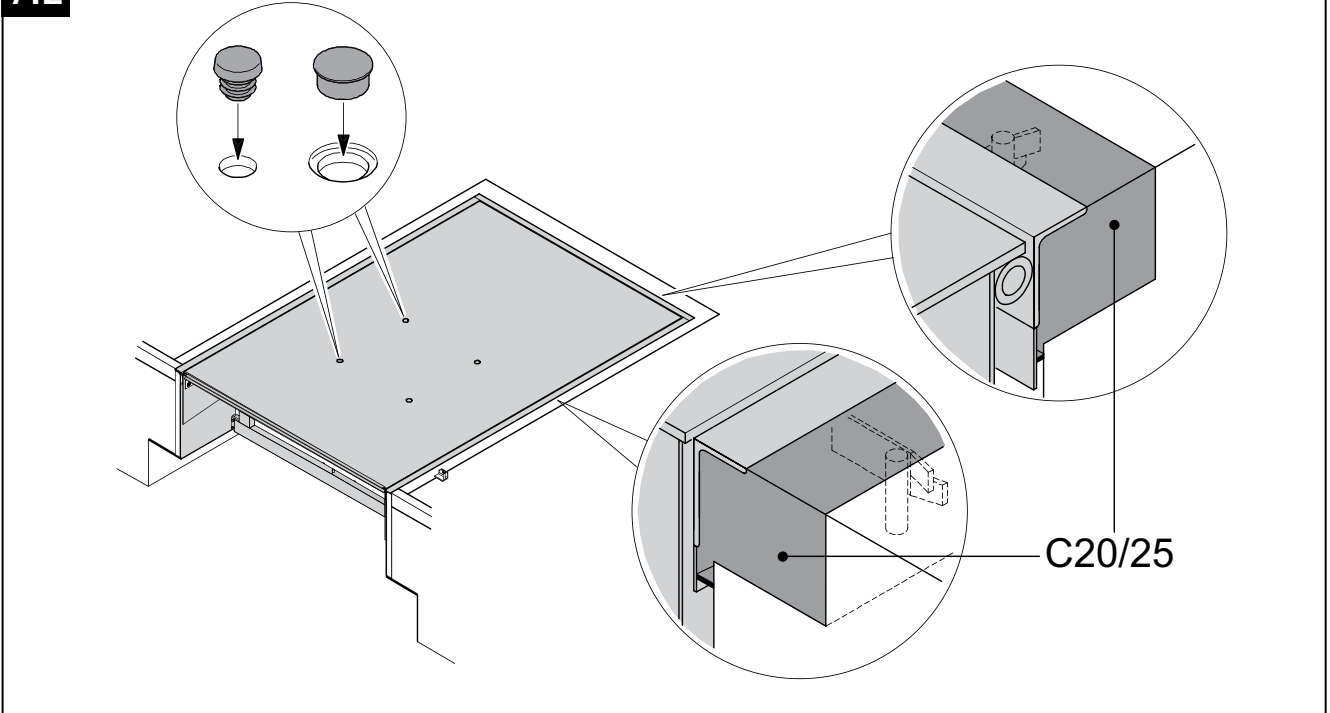


### Gesundheitsgefahr beim Schweißen verzinkter Bauteile:

Beim Schweißen verzinkter Teile entstehen Ausdampfungen, die beim Einatmen gesundheitliche Beeinträchtigungen zur Folge haben. Um dies zu verhindern, schleifen Sie an den zu schweißenden Stellen die Zinkschicht ab.

Allgemeiner Hinweis: Darstellung kann im Detail abweichen.

7.2

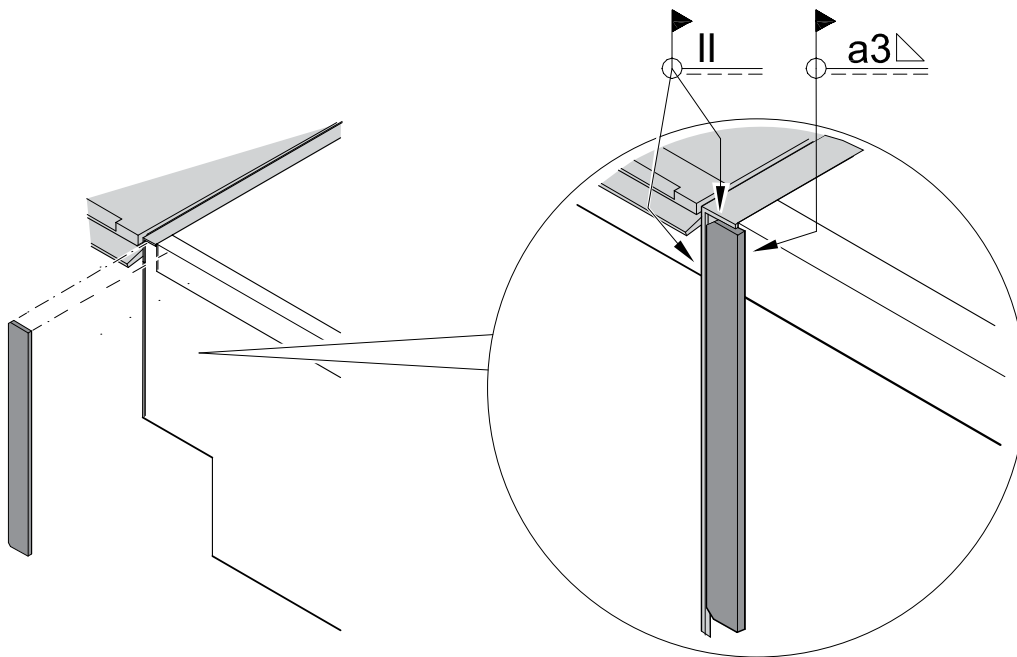


### Hinweis

Vor dem Eingießen der Beton-Vergussmasse ist die Ansatzstelle zur Überladebrücke bauseits abzudichten. Wir empfehlen, die Plattform vor dem Eingießen mit einer Schutzfolie zu versehen. Gießen Sie die Beton-Vergussmasse ein. Achten Sie auf die Verwendung einer geeigneten Betonqualität, mindestens C20/25. Bei größerer Eingießhöhe achten Sie darauf, dass der seitliche Druck durch das Einschütten und Verdichten nicht zu hoch wird. Anders können die Seitenwände verformen.

Allgemeiner Hinweis: Darstellung kann im Detail abweichen.



**7.3**

DE

**Hinweis**

Lackieren Sie die Schweißnähte mit der mitgelieferten Ausbesserungsfarbe, damit diese nicht rosten können.

Die Ausführung der in 6.8 dargestellten Frontplatte kann je nach Option unterschiedlich ausfallen. Bei der Montage eines Puffers entfällt die Frontplatte aus Darstellung 6.8. Je nach Ausführung ist die mitgelieferte Pufferplatte anzuschweißen. Bitte die entsprechende Montageanleitung hierzu beachten.

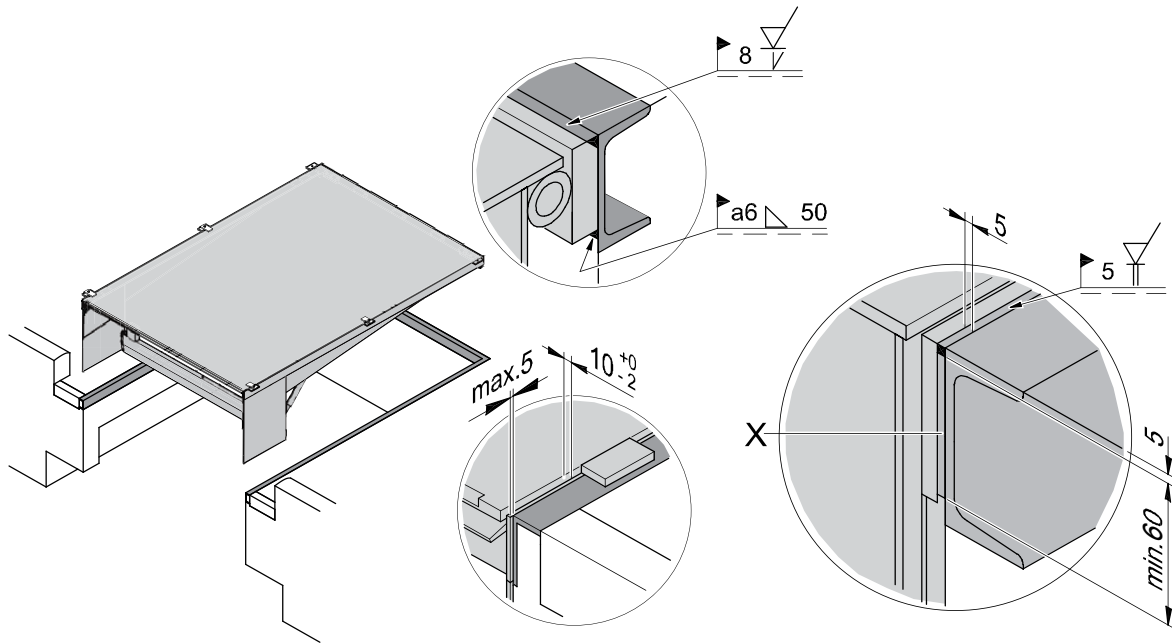
Allgemeiner Hinweis: Darstellung kann im Detail abweichen.

**8. Option Puffer****Anfahrpuffer (nicht im Lieferumfang der Überladebrücke enthalten).**

Schützen Sie Rampe und Fahrzeuge mit geeigneten Anfahrpuffern. Bei Anpralllasten über 100 kN können besondere Massnahmen erforderlich werden. Fragen Sie Ihren Lieferanten oder Hersteller.

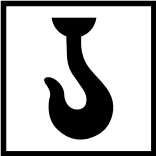
## 9. Rahmen AX

9.1



### Hinweis

X Futterbleche im Bereich der Schweißnähte (kein Lieferumfang)

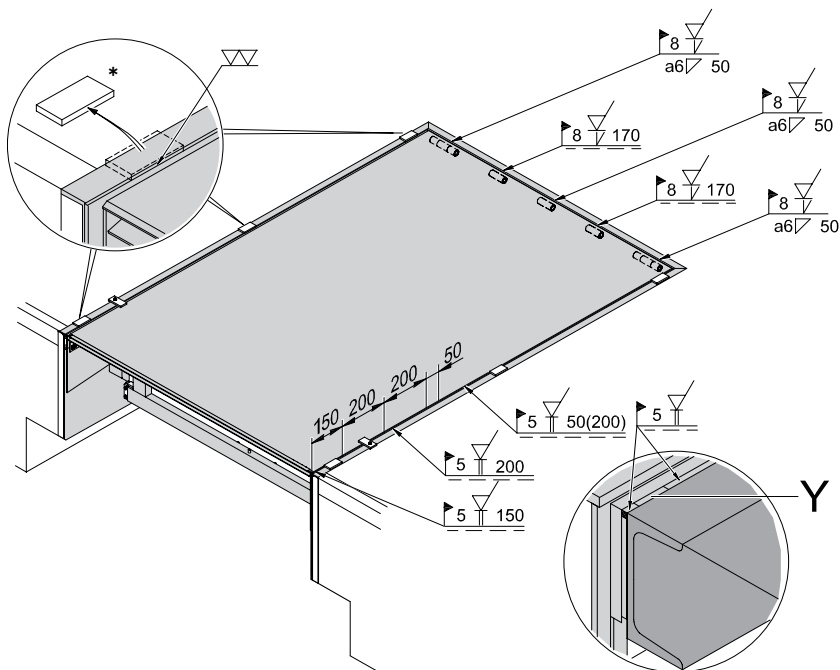


### Gesundheitsgefahr beim Schweißen verzinkter Bauteile:

Beim Schweißen verzinkter Teile entstehen Ausdampfungen, die beim Einatmen gesundheitliche Beeinträchtigungen zur Folge haben. Um dies zu verhindern schleifen Sie an den zu schweißenden Stellen die Zinkschicht ab.

Allgemeiner Hinweis: Darstellung kann im Detail abweichen.

9.2



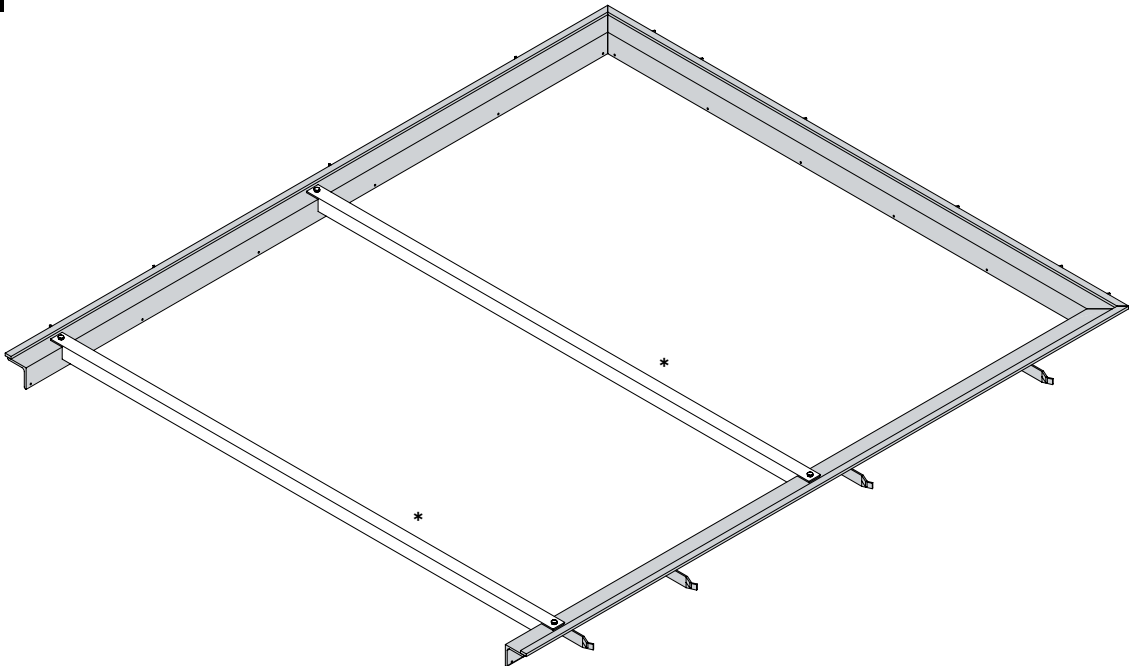
### Hinweis

\* Nach Schweißen entfernen

Y Hohlräume sind abzudichten.

Allgemeiner Hinweis: Darstellung kann im Detail abweichen.

10.1



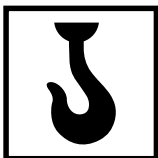
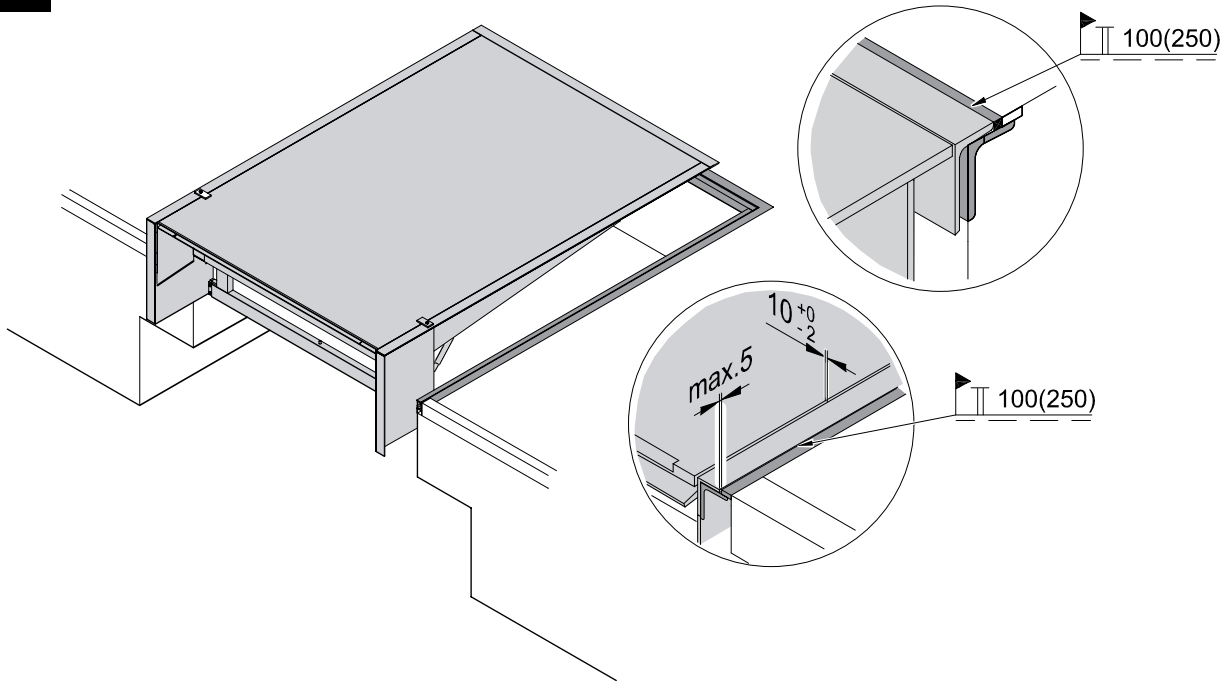
Hinweis

Vorabrahmen kann bauseitig oder von Novoferm geliefert werden.

\* Vor Einsetzen der Überladebrücke die Streben entfernen.

Allgemeiner Hinweis: Darstellung kann im Detail abweichen.

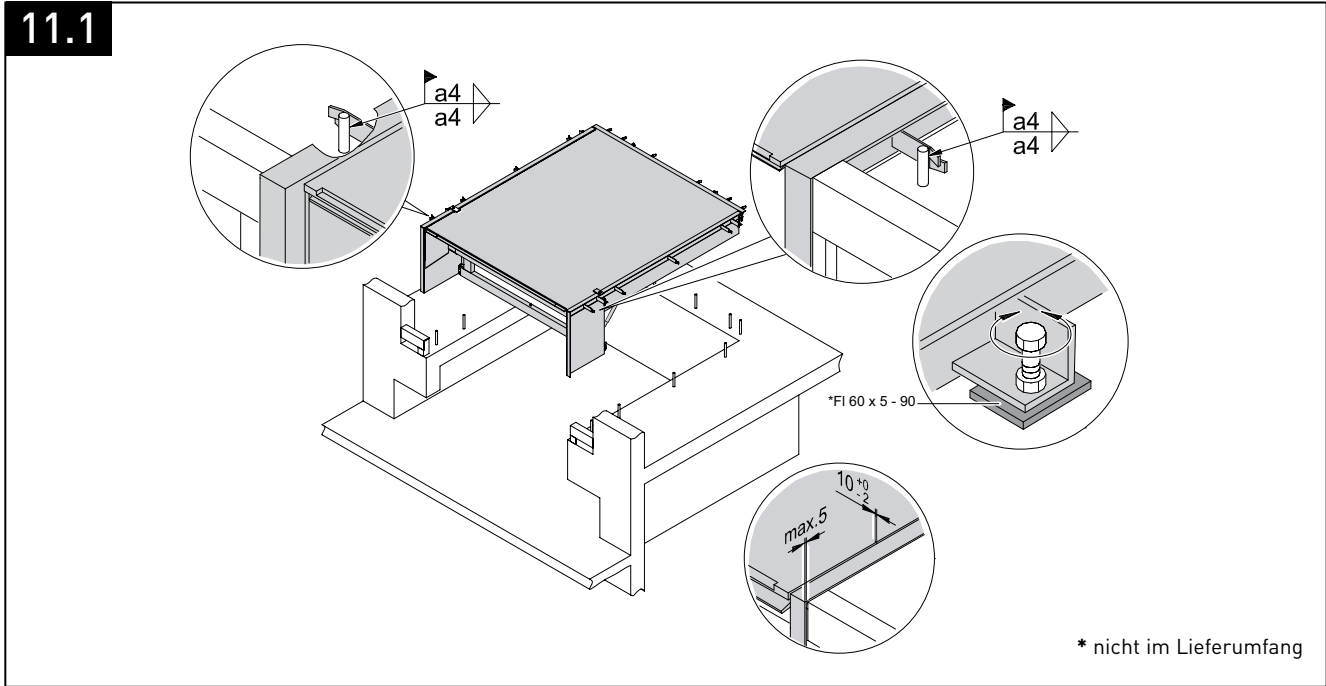
10.2



Allgemeiner Hinweis: Darstellung kann im Detail abweichen.

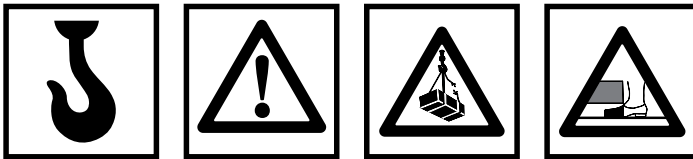
# 11. Rahmen DX

DE



**Hinweis**

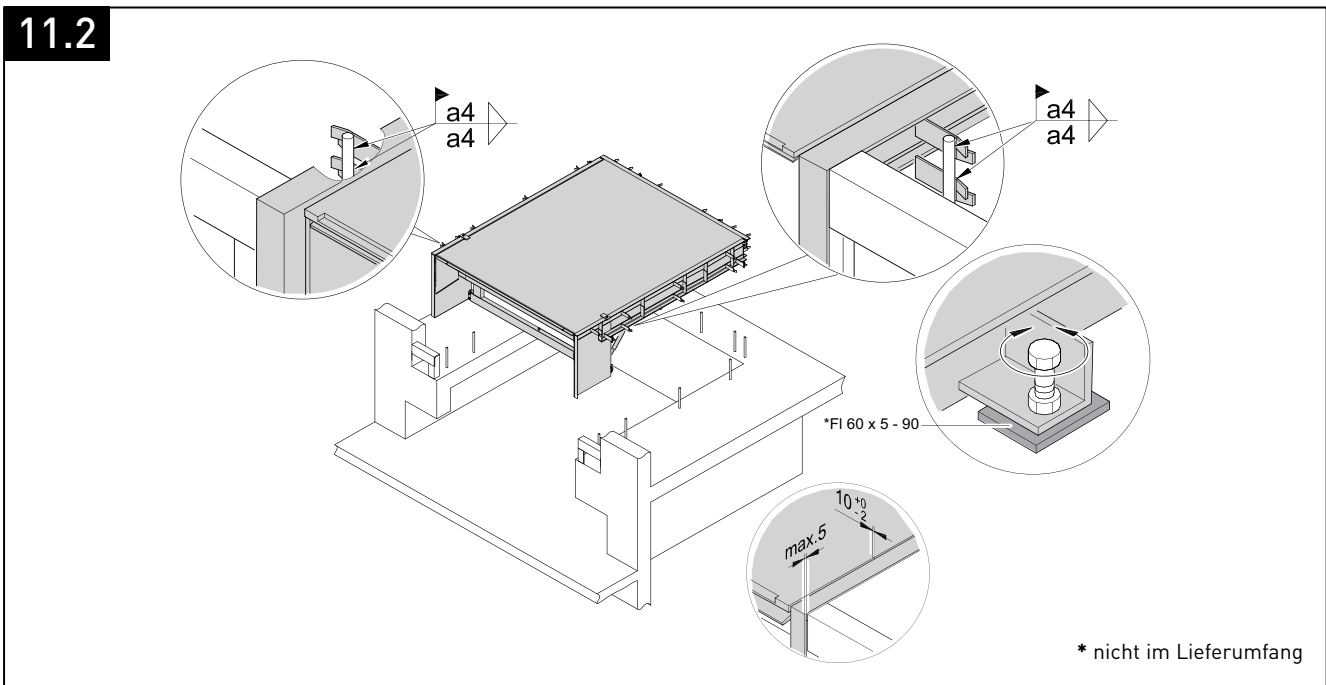
Betonierhöhe 100 - 160 mm



**Gesundheitsgefahr beim Schweißen verzinkter Bauteile:**

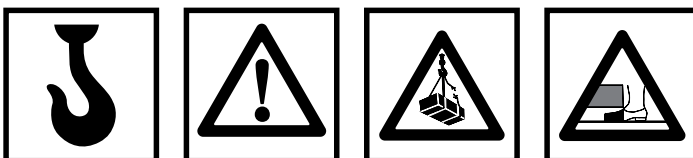
Beim Schweißen verzinkter Teile entstehen Ausdampfungen, die beim Einatmen gesundheitliche Beeinträchtigungen zur Folge haben. Um dies zu verhindern schleifen Sie an den zu schweißenden Stellen die Zinkschicht ab.

Allgemeiner Hinweis: Darstellung kann im Detail abweichen.



**Hinweis**

Betonierhöhe 160 - 250 mm

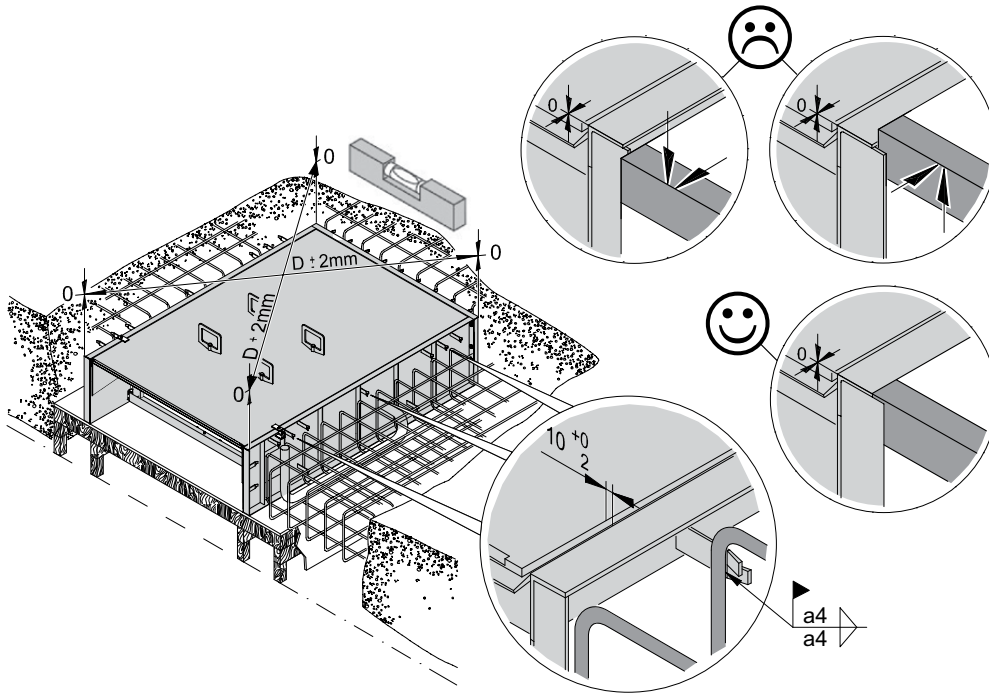


**Gesundheitsgefahr beim Schweißen verzinkter Bauteile:**

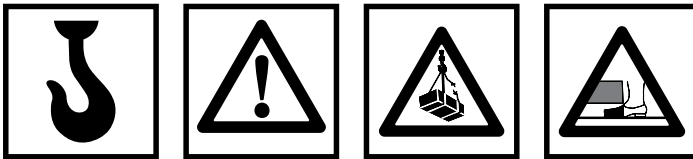
Beim Schweißen verzinkter Teile entstehen Ausdampfungen, die beim Einatmen gesundheitliche Beeinträchtigungen zur Folge haben. Um dies zu verhindern schleifen Sie an den zu schweißenden Stellen die Zinkschicht ab.

Allgemeiner Hinweis: Darstellung kann im Detail abweichen.

12.1



DE



**Hinweis**

Zur Fixierung Bohrungen in der Aufstandsfläche des Rahmens verwenden.

10 mm Spalt einhalten.

Gegebenfalls Streben einsetzen.

**Eingießen**

- Wir empfehlen, die sichtbaren Oberflächen vor dem Eingießen mit einer Schutzfolie zu versehen.
- Gießen Sie langsam und lagenweise die Beton-Vergussmasse ein. Achten Sie auf die Verwendung einer geeigneten Betonqualität, mindestens C20/25. Bei größerer Eingießhöhe achten Sie darauf, dass der seitliche Druck durch das Einschütten und Verdichten nicht zu hoch wird. Andernfalls können die Seitenwände verformen.



**Gesundheitsgefahr beim Schweißen verzinkter Bauteile:**

Beim Schweißen verzinkter Teile entstehen Ausdampfungen, die beim Einatmen gesundheitliche Beeinträchtigungen zur Folge haben. Um dies zu verhindern schleifen Sie an den zu schweißenden Stellen die Zinkschicht ab.

Allgemeiner Hinweis: Darstellung kann im Detail abweichen.

13. Inbetriebnahme

**13.1 Hilfsmittel**

- Entfernen Sie vor der Inbetriebnahme die Transportösen.
- Entfernen Sie die Transportsicherungen und Abstandhalter.
- Führen Sie die wiederverwendbaren Teile zurück zum Hersteller oder Lieferanten.

**13.2 Kontrolle**

Überladebrücken werden getestet und einschließlich Hydrauliköl geliefert.

Beachten Sie bei der Inbetriebnahme folgende Punkte:

- Kontrollieren Sie, ob sich die Plattform mit der Rampe auf gleicher Ebene befinden.

- Sorgen Sie für die Einweisung des Bedienpersonals.
- Lassen Sie einen Probelauf durchführen.
- Beachten Sie dabei die separate Anleitung der Steuerung.
- Kontrollieren Sie, ob die Überladebrücke gleichmäßig und ruhig läuft.
- Lassen Sie die Sicherheitseinrichtungen testen.

Notice de montage  
**NovoDock L530i**

**Français**

FR

# Table des matières

1 Introduction.....	33
2 Remarque générale .....	34
3 Préparation du chantier .....	36
4 Préparation du montage.....	37
5 Notice de montage châssis CX.....	38
6 Connexions électriques .....	40
7 Exécution du montage .....	42
8 Option : Tampon butoir .....	43
9 Châssis AX .....	44
10 Châssis BX .....	45
11 Châssis DX .....	46
12 Châssis EX.....	47
13 Mise en service .....	47
Notes.....	80
Copyright .....	81

## 1 Introduction

Cher client,

Nous vous remercions d'avoir choisi un produit Novoferm. Nous espérons que vous en serez satisfait et qu'il répondra à toutes vos attentes.

Une utilisation et un entretien conformes amélioreront considérablement les performances et la durée de vie du niveleur de quai. Une erreur d'utilisation et un défaut de maintenance entraîneront inévitablement des pannes. Le fonctionnement durable et sûr de l'installation ne peut en outre être garanti qu'en cas d'une utilisation correcte et d'un entretien régulier.



### Attention :

En fonction des accessoires sélectionnés, les éléments fournis peuvent inclure des notices de montage supplémentaires, par exemple pour la commande du niveleur de quai. Veuillez lire entièrement et attentivement ces instructions. Veuillez respecter les indications fournies et vous tenir aux consignes de sécurité et aux avertissements.

+++ AVERTISSEMENT +++ AVERTISSEMENT +++

## 2. Remarques d'ordre général



**Veillez lire ceci avant tout !**

- Le domaine d'utilisation de ce niveleur de quai est décrit dans la norme EN 1398.
- Le montage, les réparations, l'entretien et le démontage doivent être effectués par un poseur de la pose professionnel.
- Lors de la mise en service, le monteur professionnel doit vérifier qu'il n'y a aucun danger et s'assurer que le niveleur de quai fonctionne sans problème.

+++ AVERTISSEMENT +++ AVERTISSEMENT +++

### 2.1 Remarques d'ordre général

- Veuillez lire entièrement cette notice d'installation avant de mettre le produit en service. Respectez les remarques et conformez-vous aux consignes de sécurité et aux avertissements.



**Avertissement**

- Avant toute intervention vérifiez que le niveleur est à l'arrêt, l'alimentation électrique est coupée et verrouillée-la contre un redémarrage non autorisé.
- Lors du montage, des pièces peuvent tomber et provoquer des blessures et des dommages matériels.
- Il existe un risque d'électrocution en cas de contact avec l'électricité. Assurez-vous que l'installation électrique du client a été réalisée conformément aux consignes de sécurité en vigueur.
- Ne raccordez jamais la tension de secteur directement sur le coffret de commande : cela endommagerait irrémédiablement les composants électroniques.
- N'effectuez des travaux de soudage et de meulage sur le niveleur de quai que si ces derniers sont expressément autorisés à cet endroit. Veillez à créer une ventilation suffisante pour éviter tout risque d'explosion de poussière et autres matériaux combustibles.

+++ AVERTISSEMENT +++ AVERTISSEMENT +++

Les réglementations légales ou obligatoires généralement connues en matière de prévention des accidents et de protection de l'environnement ainsi que les prescriptions nationales et normes en vigueur au cahier des charges doivent être respectés pour garantir une exécution sûre et correcte des travaux.

- Assurez-vous que les moyens de fixation utilisés correspondent aux données architecturales. N'utilisez que des moyens de fixation adaptés.
- Exécutez les étapes du montage en respectant l'ordre des croquis de montage.

- N'utilisez que des outils corrects et adaptés.
- N'effectuez des travaux sur le niveleur de quai qu'une fois celui-ci mis hors service.
- Le non-respect de ces mesures peut entraîner des blessures graves ainsi que des dommages matériels.
- Les composants utilisés sont réalisés avec des matériaux de qualité, durables et solides. Il convient toutefois de faire preuve de prudence lors du montage afin d'éviter les dégâts.
- Faites toujours remplacer les pièces éventuellement endommagées par des pièces d'origine. Le fonctionnement correct du niveleur de quai ne serait plus assuré dans le cas contraire. La garantie cesserait en outre d'être octroyée.

### 2.2 À vérifier avant le montage :

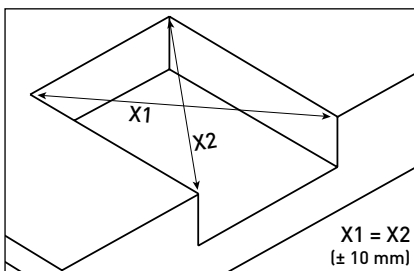
Veillez vérifier les points suivants avant de procéder au montage :

- La tension d'alimentation de secteur présente correspond-elle aux caractéristiques du niveleur de quai ?
- Des câbles et fusibles adaptés sont-ils présents ?
- Pour les versions existante devant être montées dans une fosse présente : La fosse correspond-elle aux plans de montage fournis et une gaine en attente d'un diamètre de 70 mm est-elle prévue pour poser le câble ?

Ne commencez le montage que si toutes les conditions sont remplies.

Pour vérifier la précision des cotes, mesurez la longueur et la largeur de la fosse, sa hauteur à l'avant et à l'arrière ainsi que les diagonales. Le longueur des diagonales (X) ne peut pas différer de plus de 10 mm.

Remarque : Le niveleur de quai doit être posé parfaitement à l'horizontale dans la largeur. Les performances du niveleur de quai pourraient être entravées dans le cas contraire. Il existerait également un risque d'endommagement du niveleur de quai.



### 2.3 Outils de montage

Vous avez besoin des outils suivants pour le montage :

- Poste à souder ESAB caddy 200 (5-200A) ou similaire
- Electrodes de type ESAB OK 48.00 3,25 ou similaire.

### 2.4 Équipements de levage

- Chariot élévateur : la capacité de charge minimum sera de 35 kN, la longueur des fourches de 2000 mm.

- Grue : la capacité de charge minimum sera de 35 kN au point le plus éloigné de la flèche.

### 2.5 Branchements électriques

- Câble : 7x 0,75mm<sup>2</sup>
- Câble moteur : 4 x 1,5mm<sup>2</sup>

### 2.6 Vérification du fonctionnement

- Vérifiez tous les états de marche du niveleur de quai une fois le montage terminé. Veuillez utiliser pour cela le carnet de contrôle pour niveleurs de quai.
- Complétez le carnet de contrôle et signez-le.
- Remettez ensuite cette notice d'utilisation avec les autres documents au client.



**Avertissement**

Un niveleur de quai en panne peut provoquer des blessures et des dommages matériels. N'utilisez un niveleur de quai qu'en en parfait état de fonctionnement.

+++ AVERTISSEMENT +++ AVERTISSEMENT +++

### 2.7 Mise en service

- Le niveleur de quai ne peut être mis en service qu'après la remise de la déclaration de conformité.
- Formez les utilisateurs à l'utilisation du niveleur de quai. N'autorisez aucun tiers (p. ex. un visiteur) à utiliser le niveleur de quai.
- La présente notice de montage doit être remise au client et conservée pendant toute la durée de vie de l'installation.
- Ne modifiez en rien le logiciel de la commande programmable.
- Seul le fournisseur est habilité à apporter des modifications ou des extensions au produit fourni.
- Le constructeur décline toute responsabilité pour les dommages résultant du non-respect ou d'une utilisation incorrecte du produit.



**Avertissement**

Les mouvements du niveleur de quai peuvent entraîner des blessures et des dommages matériels.

- Assurez-vous qu'aucune personne et aucun objet ne se trouve dans le périmètre de fonctionnement du niveleur de quai pendant ses mouvements.
- N'utilisez jamais le niveleur de quai pour soulever des personnes ou objets.

+++ AVERTISSEMENT +++ AVERTISSEMENT +++



- N'oubliez pas que les prescriptions en vigueur exigent un contrôle technique annuel du niveleur de quai par un expert.
- Un entretien doit être effectué chaque année ou tous les 5.000 cycles.

## 2.8 Démontage

Le démontage du niveleur de quai doit être exécuté dans l'ordre inverse des opérations indiquées au chapitre 4 par un professionnel.

## 2.9 Qualification du personnel

Le montage exige suffisamment de qualifications pour exécuter les travaux mécaniques et électrotechniques ainsi que les travaux de soudure et/ou de bétonnage nécessaires en fonction du modèle.

Tous les travaux réalisés sur le niveleur de quai nécessitent des connaissances techniques préalables et ne peuvent être exécutés que par des personnes habilitées. Les personnes habilitées sont les professionnels formés et du constructeur.



### Attention :

Accrochez les élingues seulement aux ancrages représentés par ce symbole. Si la manutention se fait avec l'aide d'élingues ou de chaînes utilisez quatre ancrages. Si la manutention se fait avec un chariot élévateur utilisez au minimum deux ancrages.



### Danger!

N'utilisez que des équipements de levage en parfait état et adaptés d'une capacité d'au moins 35 kN. Respectez les procédures de sécurité et d'utilisation en vigueur dans votre entreprise. Ne stationnez pas et ne travaillez pas sous une charge.



### Danger !

Risque de cisaillement du pied entre l'arête de la fosse et le niveleur !



### Attention :

Veillez à garder un espace de 10 mm (+0, -2 mm) entre le plateau et le cadre. Le cadre doit être parfaitement horizontal.



### Danger !

Avant toute intervention vérifiez que le niveleur est à l'arrêt et que l'alimentation électrique est coupée. Seules les personnes habilitées sont autorisées à effectuer des travaux électriques sur les niveleurs.



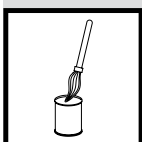
### Remarque !

Il est impératif de respecter toutes les règles de sécurité! Les connections électriques sont à faire réaliser par un électricien qualifié conformément au plan de câblage. La façade du boîtier de commande ne devrait pouvoir s'enlever ou se remettre que si le sectionneur général est sur „0“.



### Attention :

Vérifiez que toutes les manœuvres du niveleur de quai puissent être suivies du poste de contrôle. Le boîtier de commande doit être à l'abri des intempéries. En cas de dysfonctionnement coupez l'alimentation électrique à l'aide du sectionneur et contactez Novoferm.



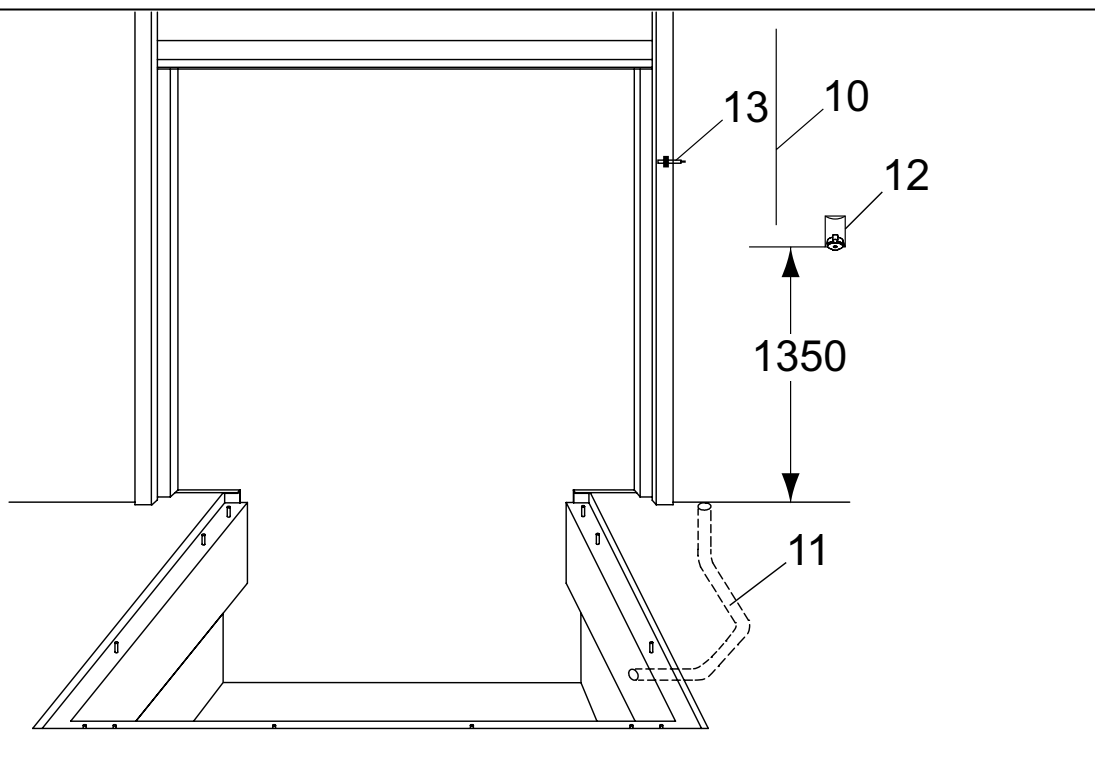
### Effectuez les retouches de peinture sur les surfaces soudées ou endommagées :

Les surfaces à traiter doivent être sèches et propres. Utilisez du diluant et une Brosse métallique. Utilisez du diluant et une brosse métallique.

- Appliquez de la peinture galvano à froid et laissez reposer 30 minutes.
- Après le montage, tous les dégâts doivent être repeints avec la peinture pour retouche fournie.

## 3 Préparation du chantier

3.1



FR

### Préparation du chantier

10 Raccordement au secteur : 3 / N / PE AC 50Hz 230/400V  
Fusible alimentation : D0 10A gl, puissance moteur : 0,75kW

11 Gaine d'attente pour le câblage électrique,  
diamètre intérieur min. 70, angle  $\leq 45^\circ$

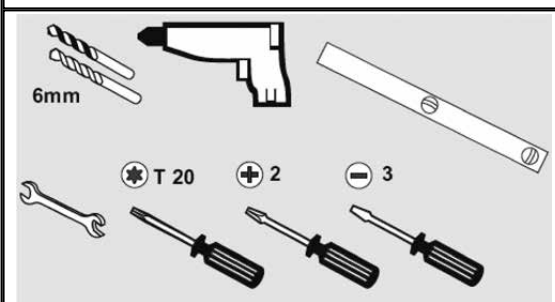
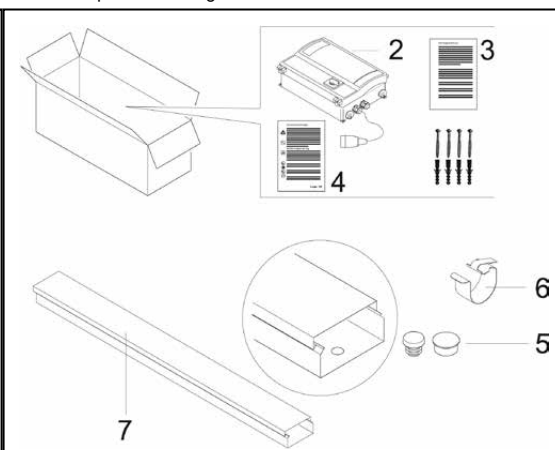
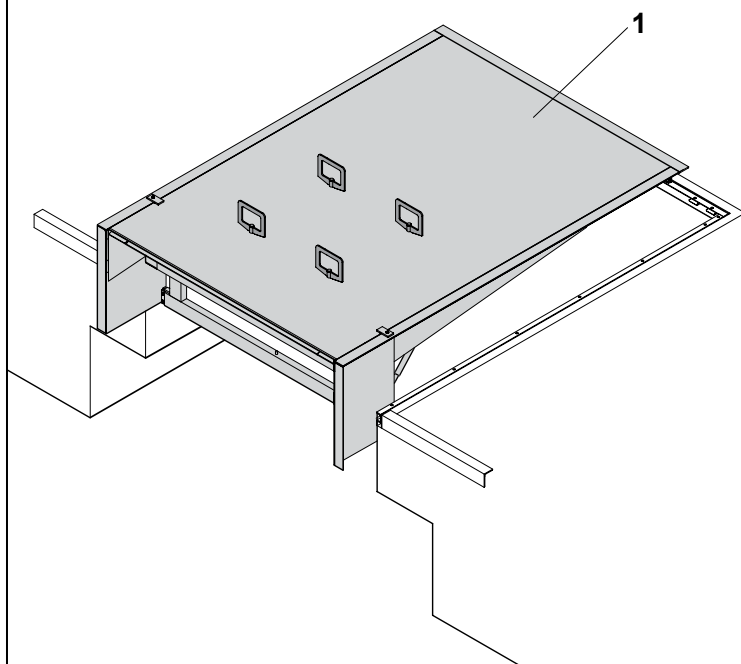
12 Prise CEE 16A

13 Cellule sécurité porte/niveleur (option)

Remarque générale:

La représentation peut être légèrement différente de la réalité.

3.2



### Matériels de montage

- 1 Niveleur de quai
- 2 Coffret de commande
- 3 Notice d'installation et d'utilisation du coffret de commande
- 4 Mode d'emploi

5 Bouchons en plastique

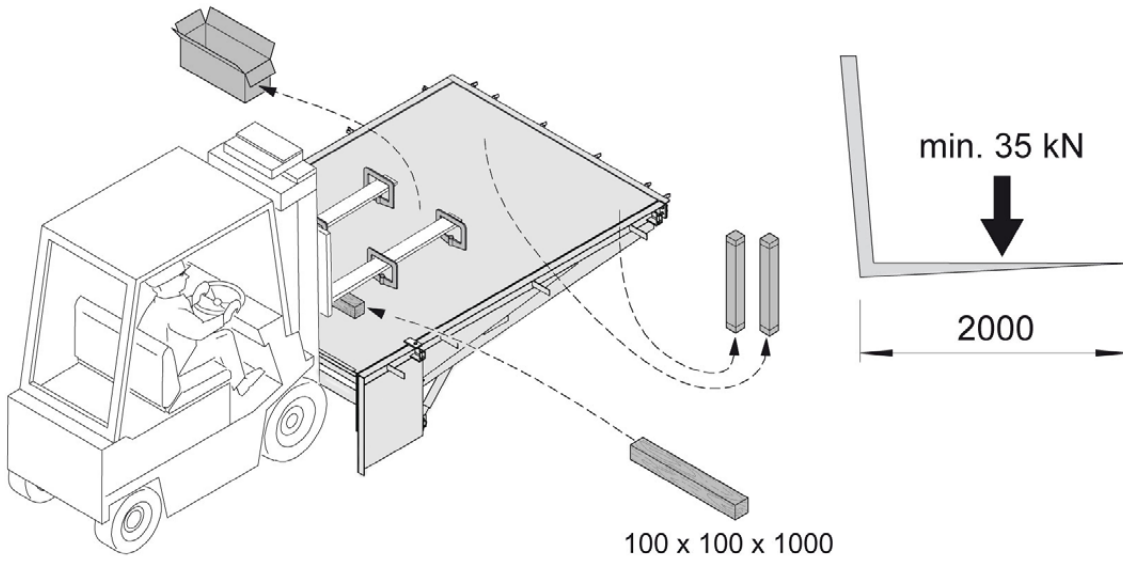
6 Collier

7 Gaine en attente (non fournie)

Remarque générale :

La représentation peut être légèrement différente de la réalité.

## 4.1



FR

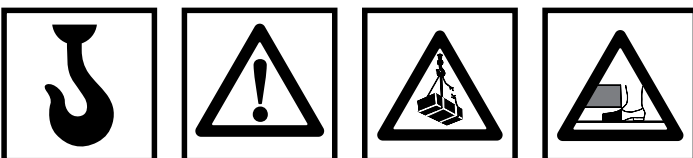
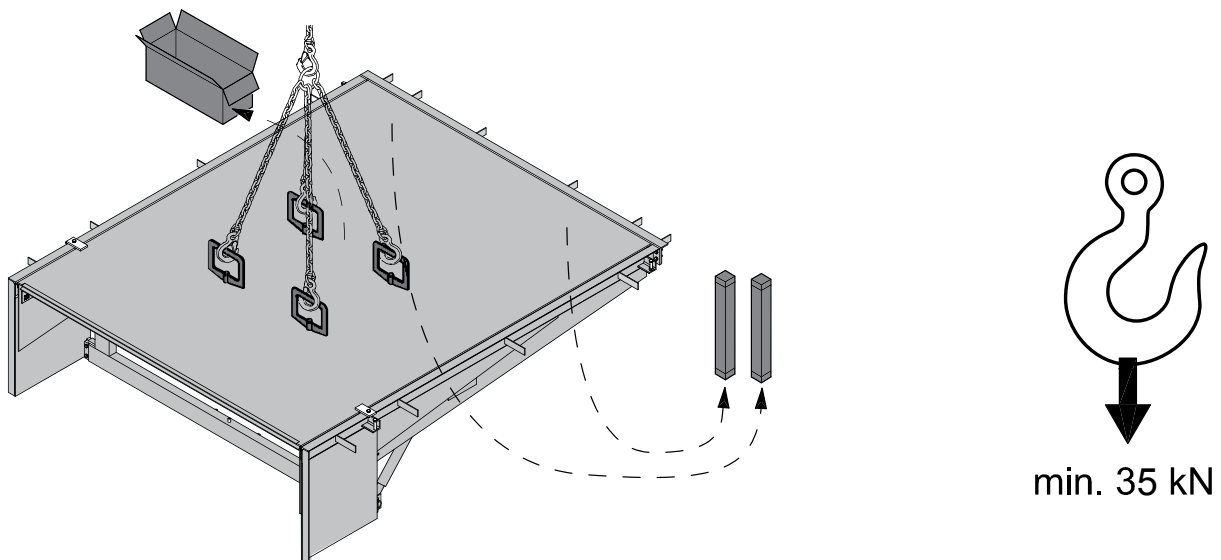


**Remarque :**

- Poutrelles en bois non fournies.

Remarque générale : La représentation peut être légèrement différente de la réalité.

## 4.2

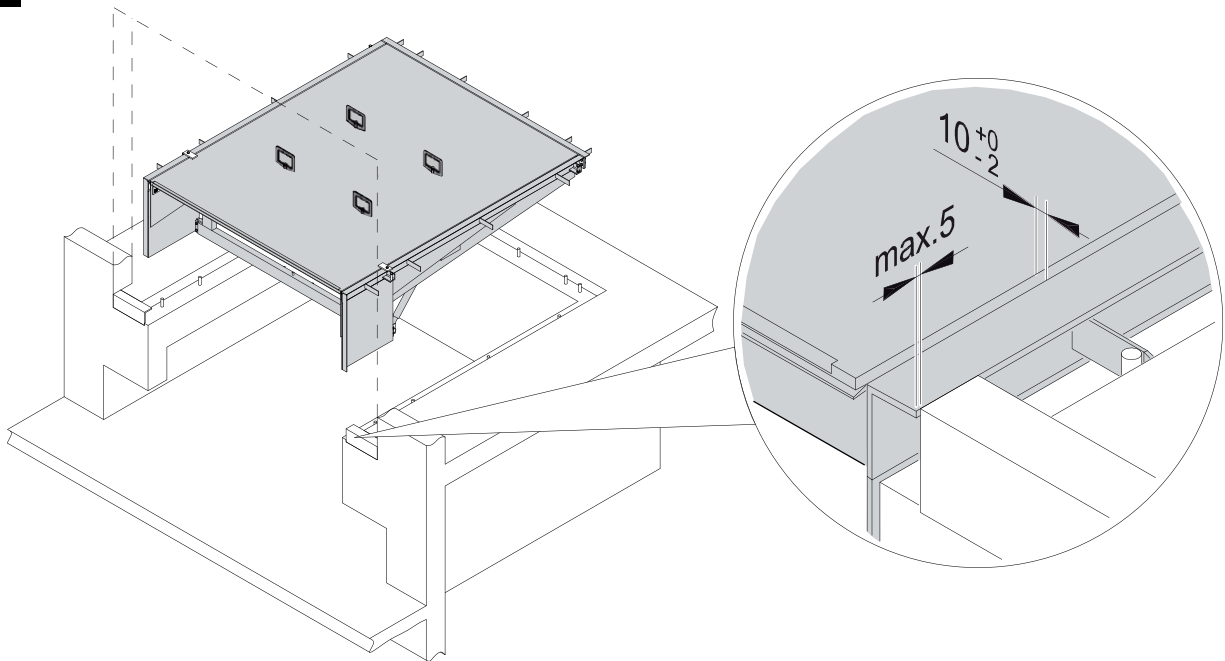


Remarque générale :

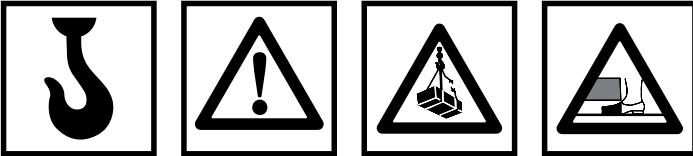
La représentation peut être légèrement différente de la réalité.

## 5 Notice de montage châssis CX

5.1

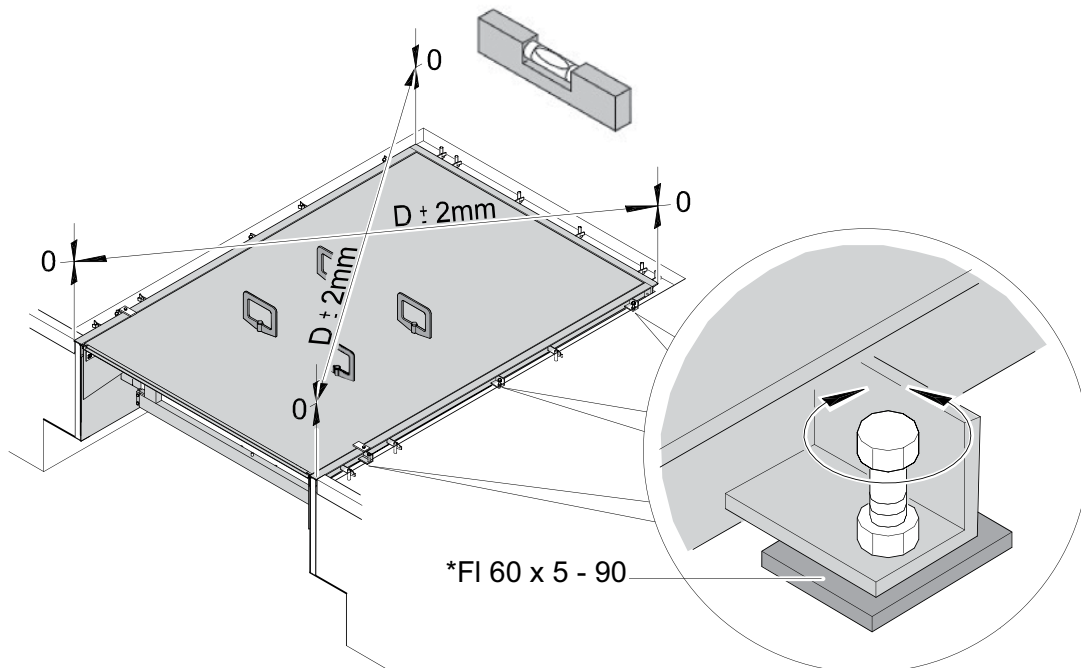


FR

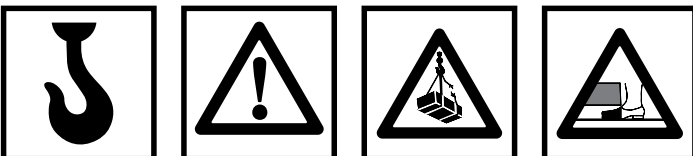


Remarque générale :  
La représentation peut être légèrement différente de la réalité.

5.2

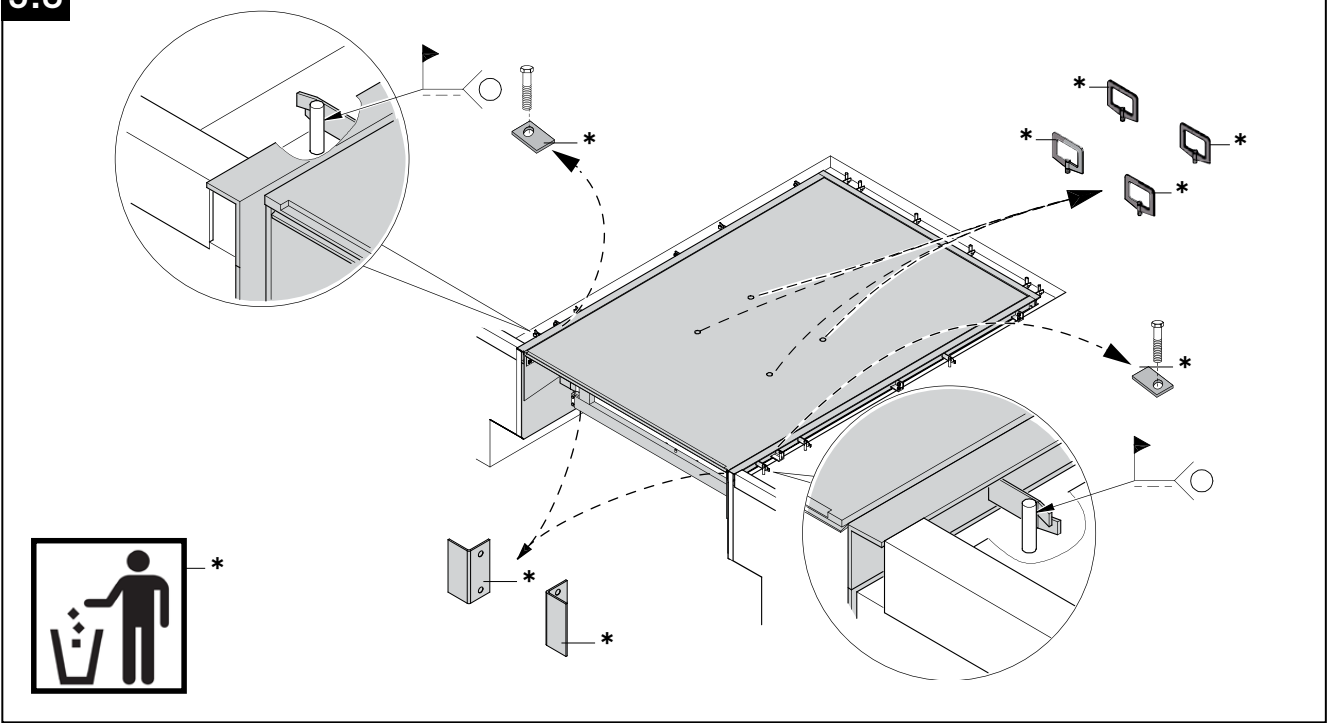


\* non fourni

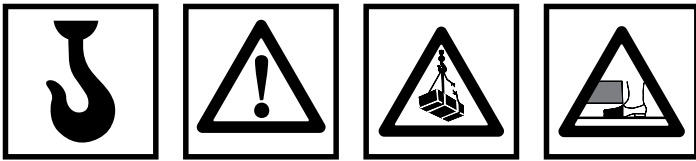


Remarque générale :  
La représentation peut être légèrement différente de la réalité.

5.3



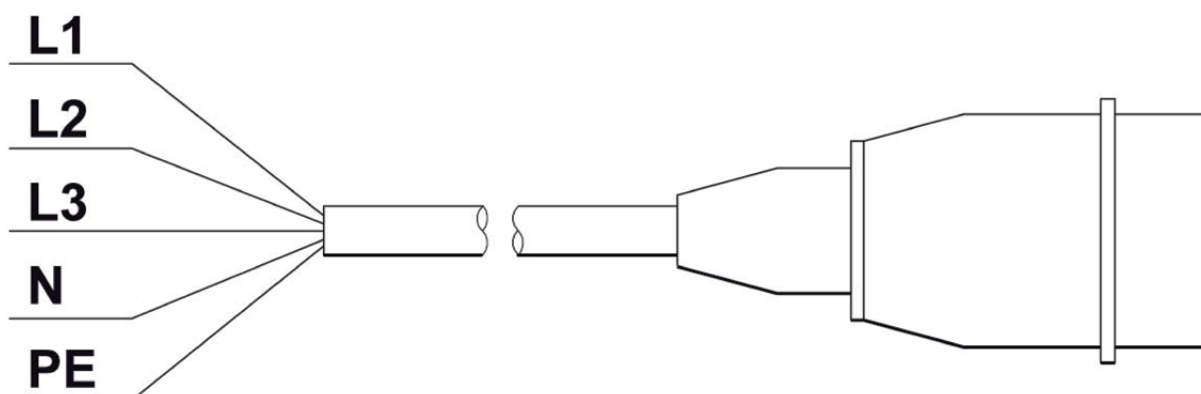
FR



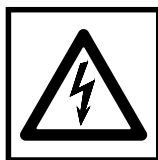
Remarque générale :  
La représentation peut être légèrement différente de la réalité.

## 6 Connexions électriques

### 6.1

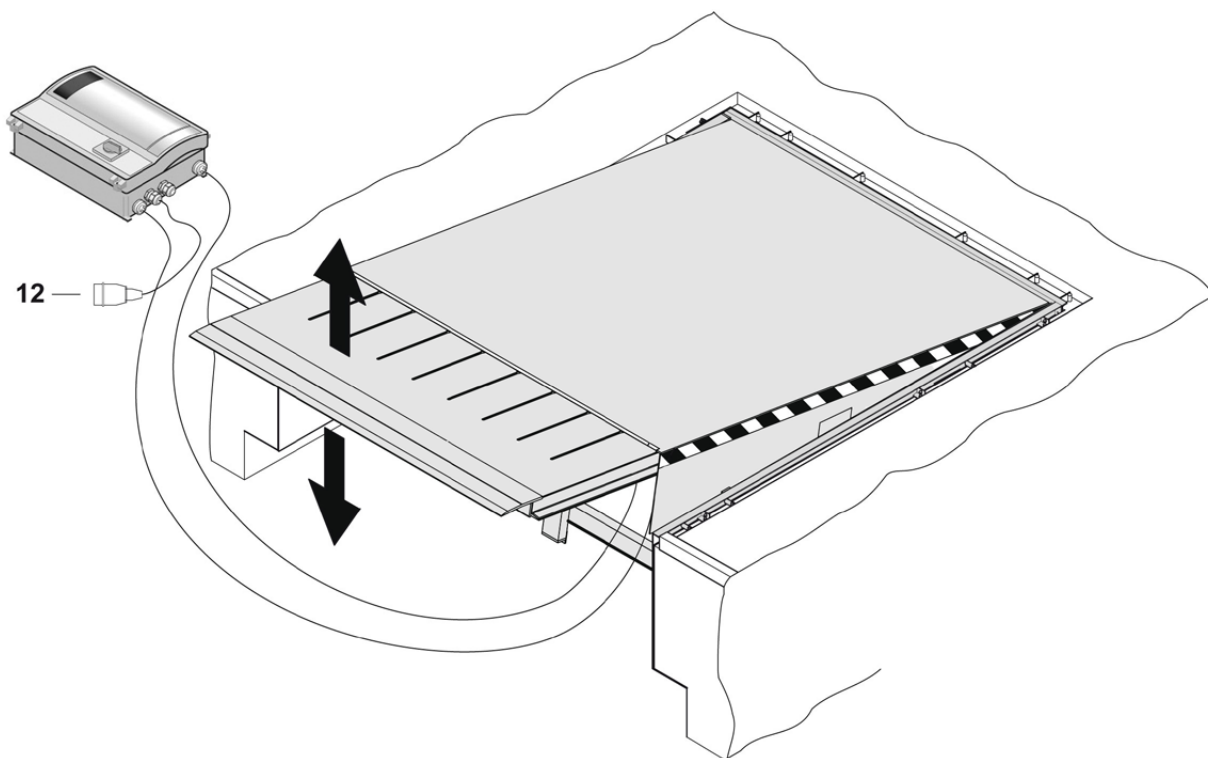


Remarque générale : La représentation peut être légèrement différente de la réalité.



	(DE)	(EN)	(FR)	(NL)
L1 =	Braun (1)	Brown (1)	Brun (1)	Bruin (1)
L2 =	Schwarz (2)	Black (2)	Noir (2)	Zwart (2)
L3 =	Grau (3)	Grey (3)	Gris (3)	Grijs (3)
N =	Blau (4)	Blue (4)	Bleu (4)	Blaauw (4)
PE =	gelb/grün	yellow/green	jaune/vert	geel/groen

### 6.2

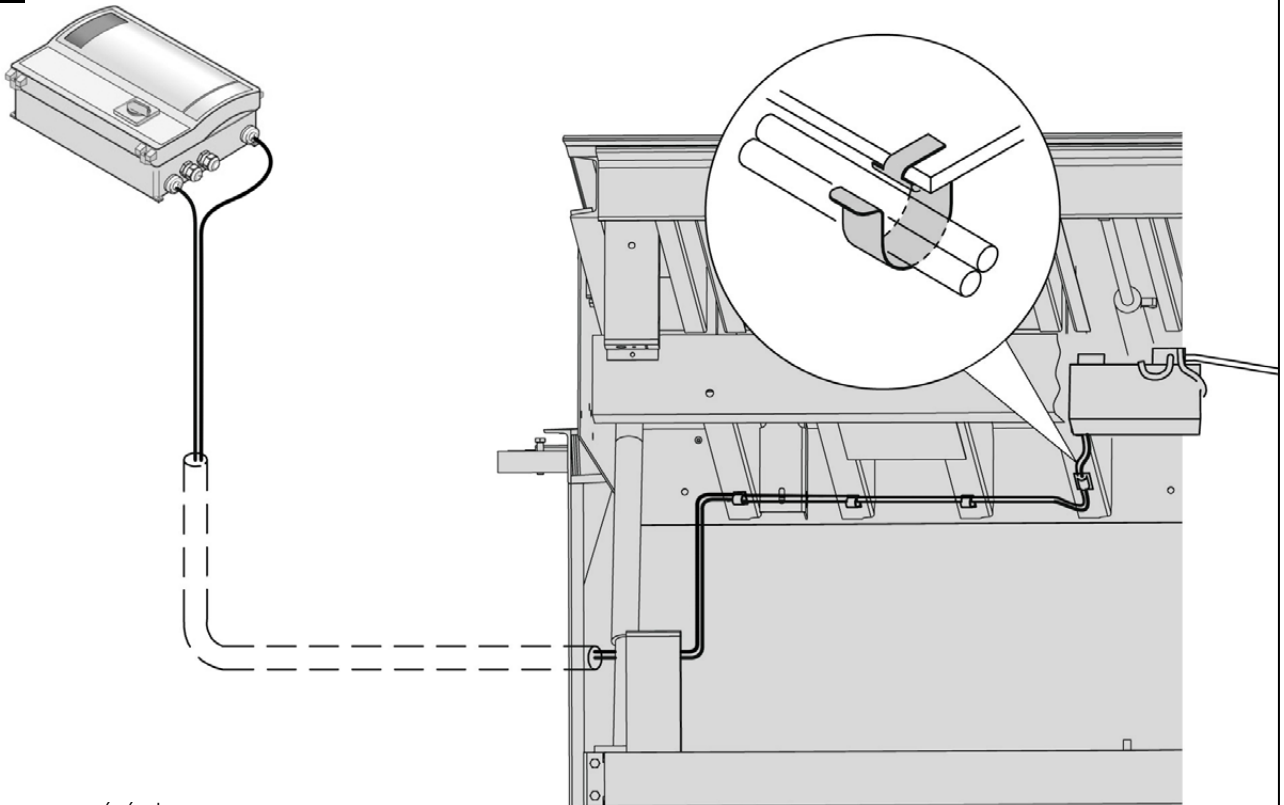


**Remarque :**

La fixation solide des raccords de tuyaux hydrauliques doit être contrôlée

Remarque générale : La représentation peut être légèrement différente de la réalité.

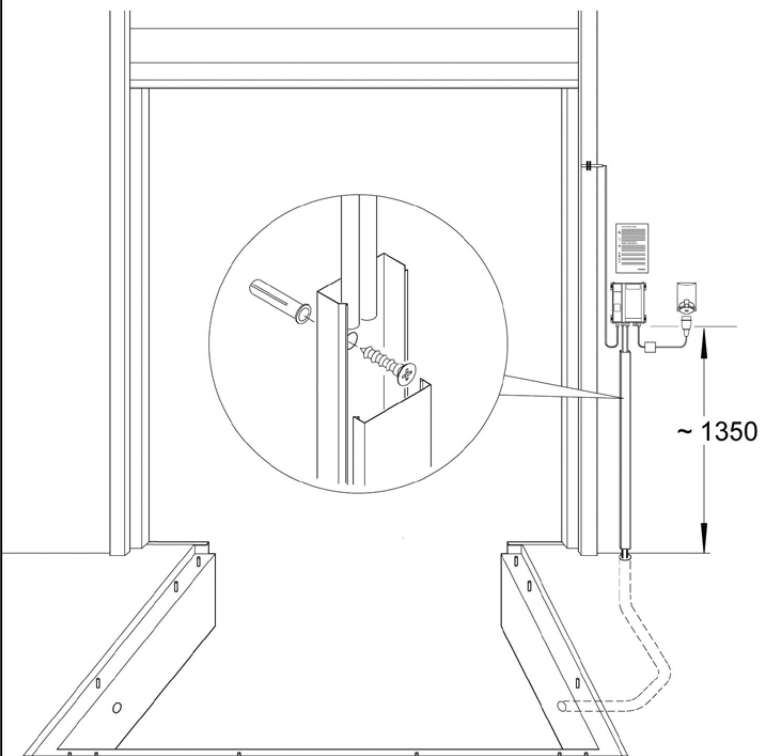
### 6.3



FR

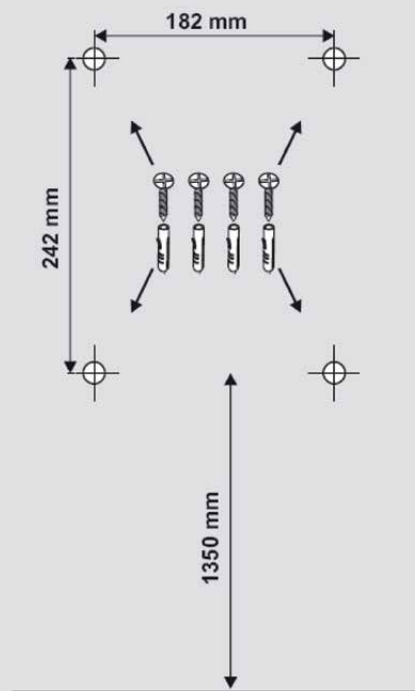
Remarque générale :  
La représentation peut être légèrement différente de la réalité.

### 6.4



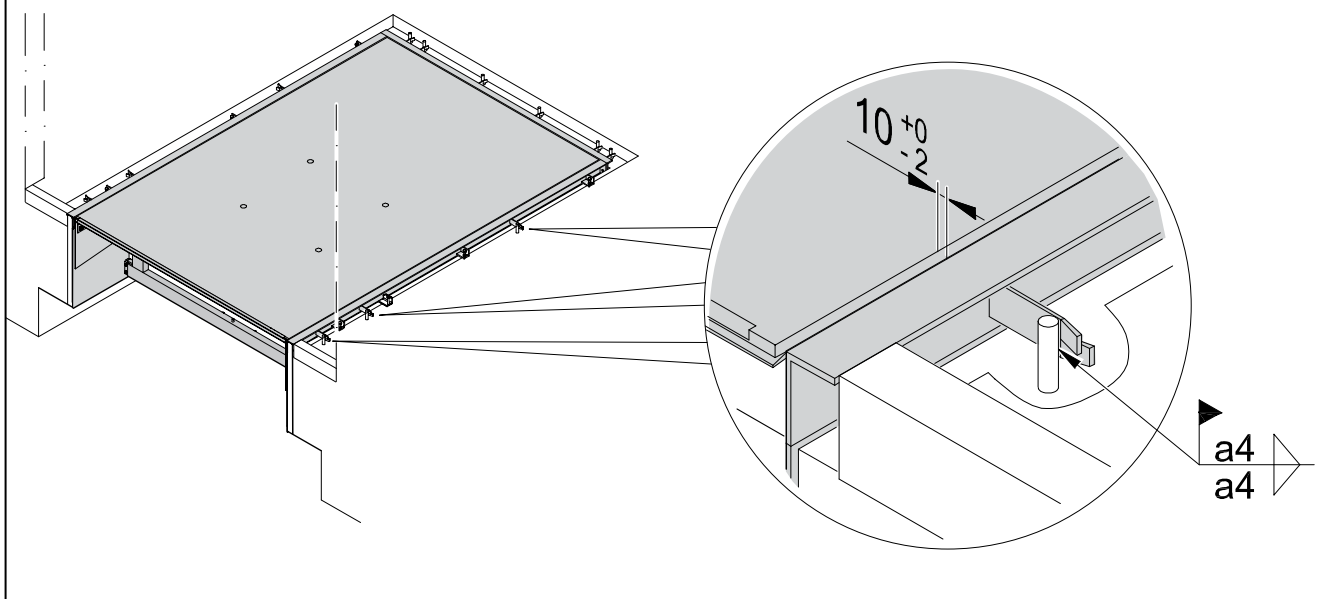
Remarque générale : La représentation peut être légèrement différente de la réalité.

### 6.5



## 7 Exécution du montage

7.1



**Remarque :**

Soudez les ancrages du niveleur de quai au cadre ou aux pattes de fixation.

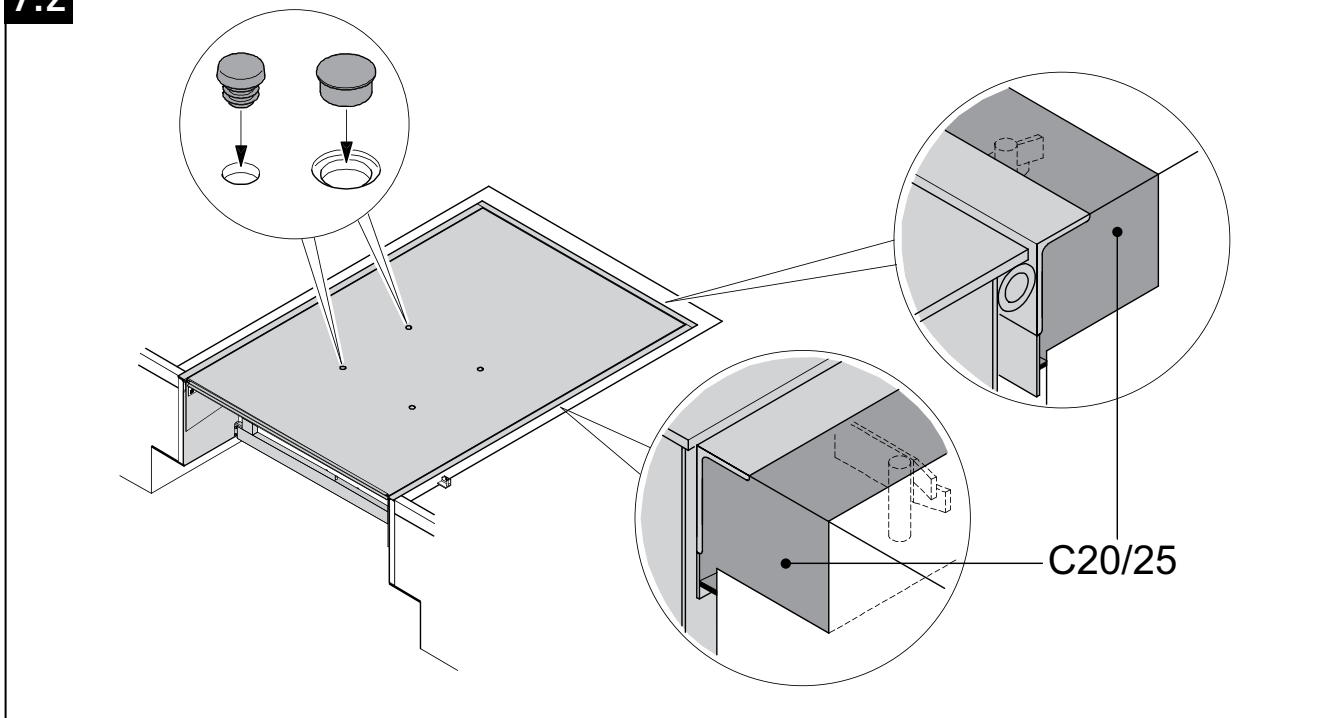


**Risque pour la santé lors du soudage d'éléments galvanisés :**

Le soudage de pièces galvanisées libère des vapeurs pouvant entraîner de graves troubles de la santé en cas d'inhalation. Pour éviter cela, il est recommandé d'éliminer la couche de zinc présente aux extrémités à souder.

Remarque générale : La représentation peut être légèrement différente de la réalité.

7.2



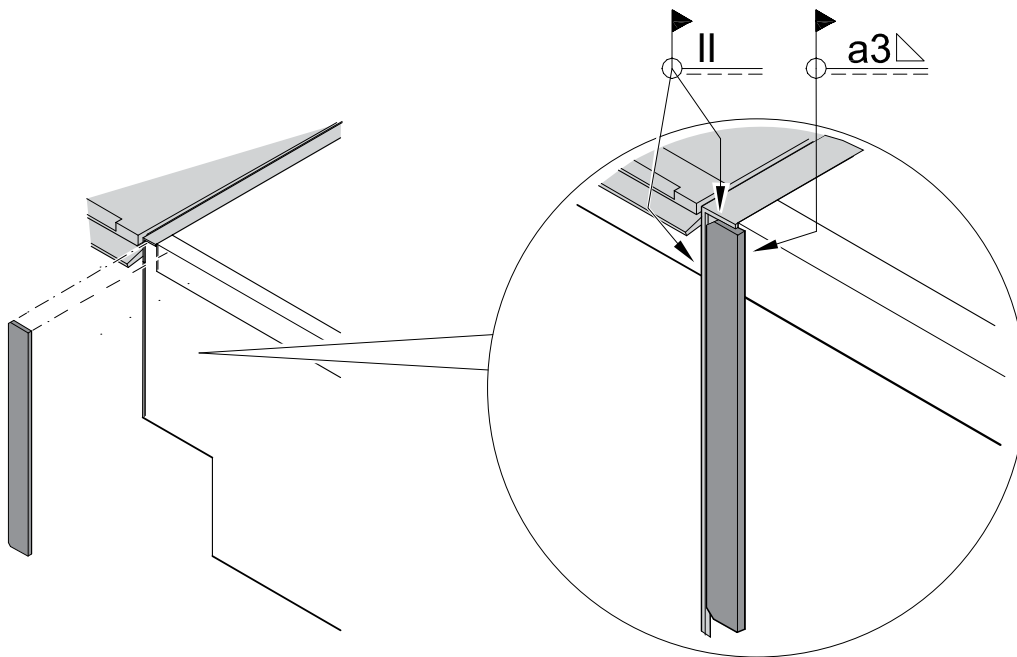
**Remarque :**

Avant de couler la masse de scellement en béton, le gros-œuvre doit obturer l'espace entre le cadre du niveleur et la fosse. Nous recommandons de protéger le plateau avec une film plastique avant de couler le béton. Coulez la masse de scellement en béton. Veillez à utiliser un béton de qualité, d'au moins C20/25. Si la hauteur de coulage est importante, assurez-vous que la pression latérale due à la mise en place et au compactage ne dépasse pas les limites admises. Les parois latérales risqueraient de se déformer dans le cas contraire.

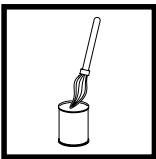
Remarque générale : La représentation peut être légèrement différente de la réalité.



7.3



FR



**Remarque :**

Peignez les cordons de soudure avec la peinture de retouche finie afin de leur éviter de rouiller.

La version de la façade représentée au 6.8 peut être différente en fonction de l'option. Lorsqu'un tampon est monté, la façade représentée en 6.8 est supprimée. La plaque de tampon fournie doit être soudée en fonction de la version. Veuillez respecter la notice de montage correspondante.

Remarque générale : La représentation peut être légèrement différente de la réalité.

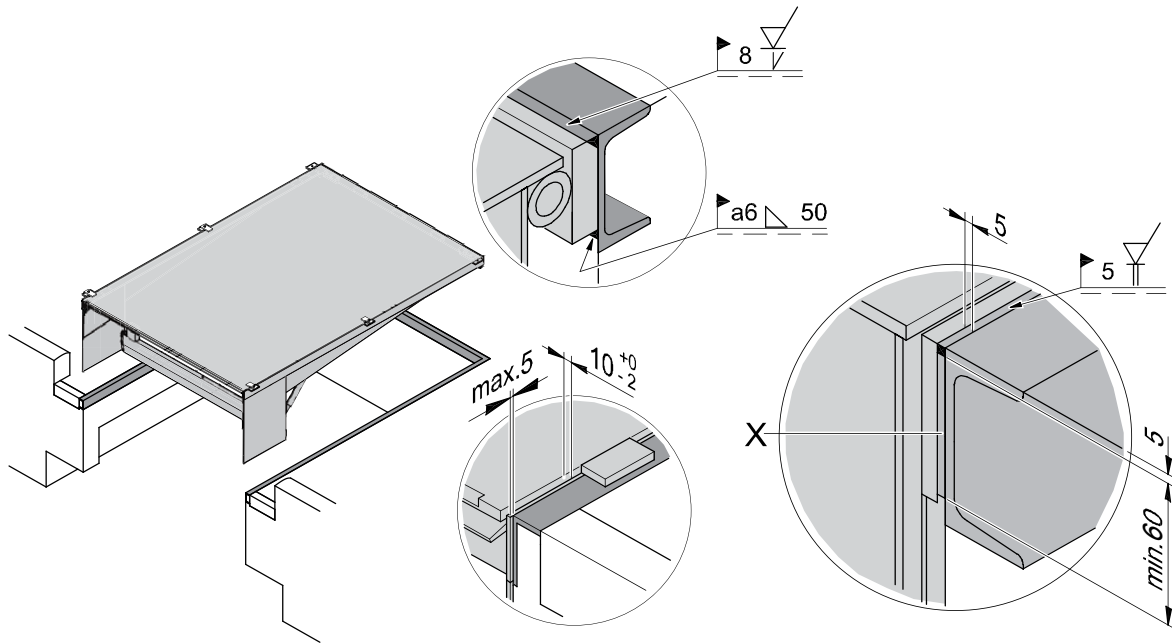
## 8 Option : Tampon butoir



**Butoirs (élément non fourni avec le niveleur de quai).**

Protégez le quai et les véhicules avec des butoirs. Des mesures spéciales peuvent s'avérer nécessaires lorsque les impacts dynamiques dépassent 100 kN. Posez la question à votre fournisseur ou constructeur.

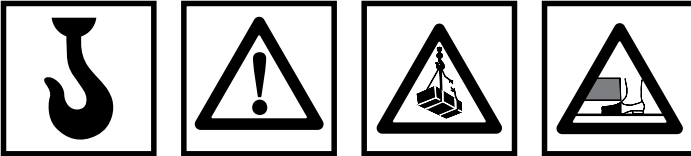
9.1



FR

Remarque :

X Tôle de fourrure dans la zone des cordons de soudure (non fournie)



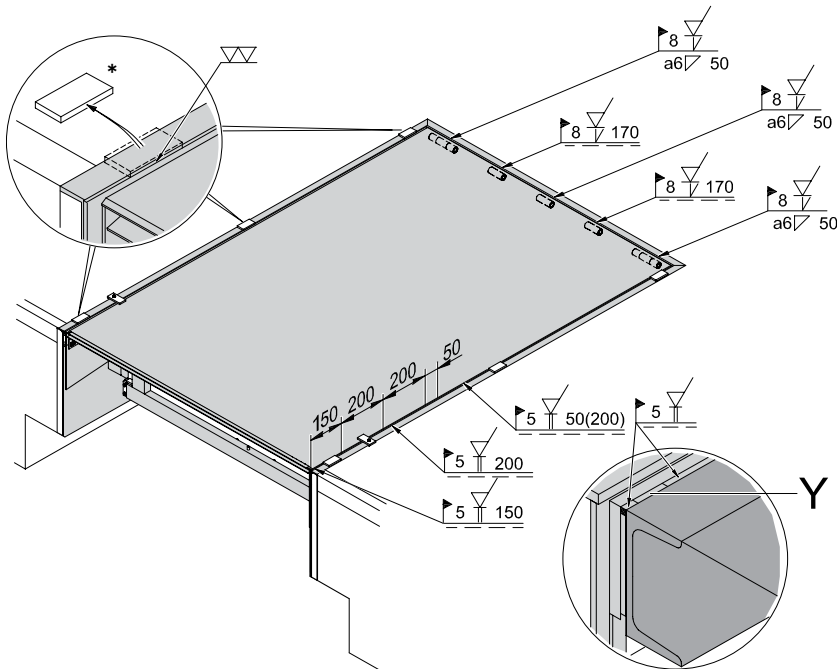
Risque sanitaire lors du soudage d'éléments galvanisés :

Le soudage de pièces galvanisées libère des vapeurs pouvant entraîner de graves troubles de la santé en cas d'inhalation. Pour éviter cela, il est recommandé d'éliminer la couche de zinc présente aux extrémités à souder.

Remarque générale :

La représentation peut être légèrement différente de la réalité.

9.2



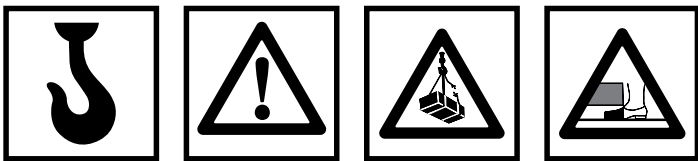
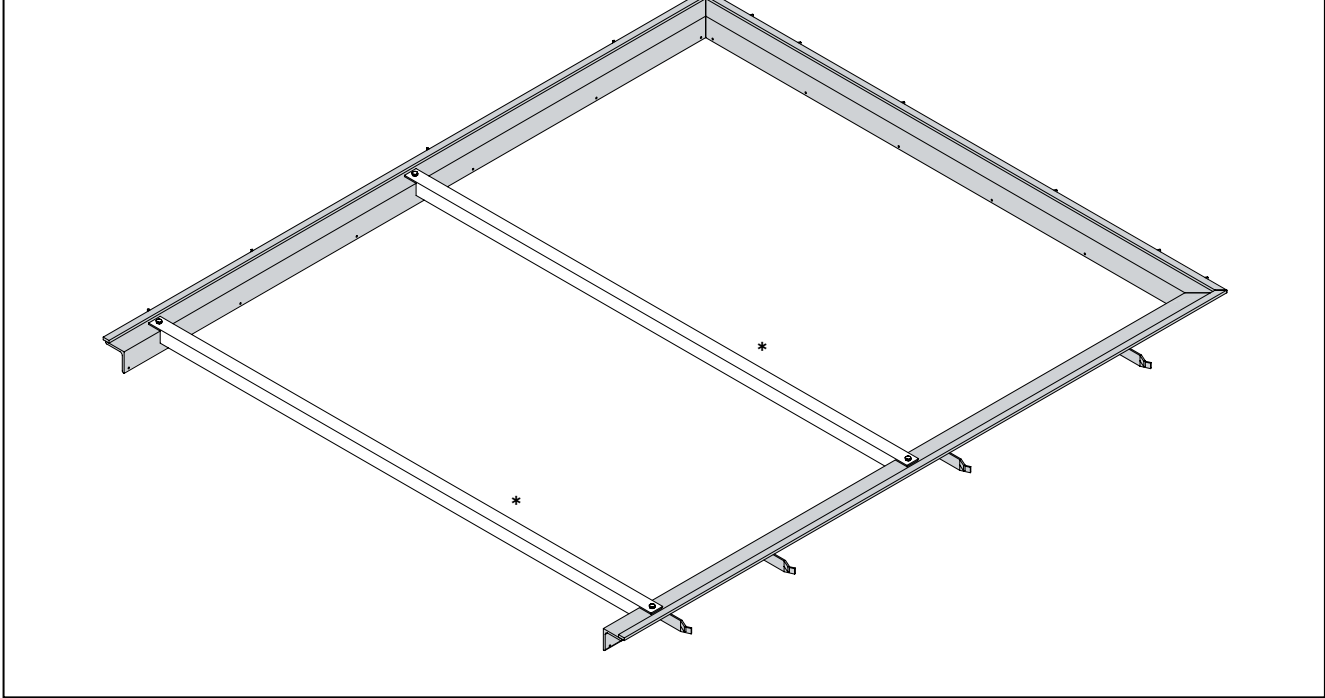
Remarque :

\* Éliminer après le soudage

Y Les cavités doivent être colmatées.

Remarque générale : La représentation peut être légèrement différente de la réalité.

10.1



Remarque :

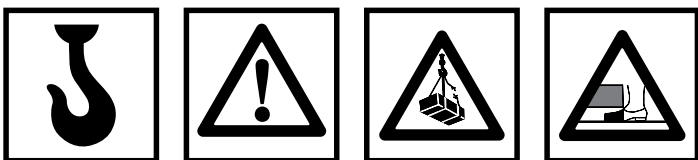
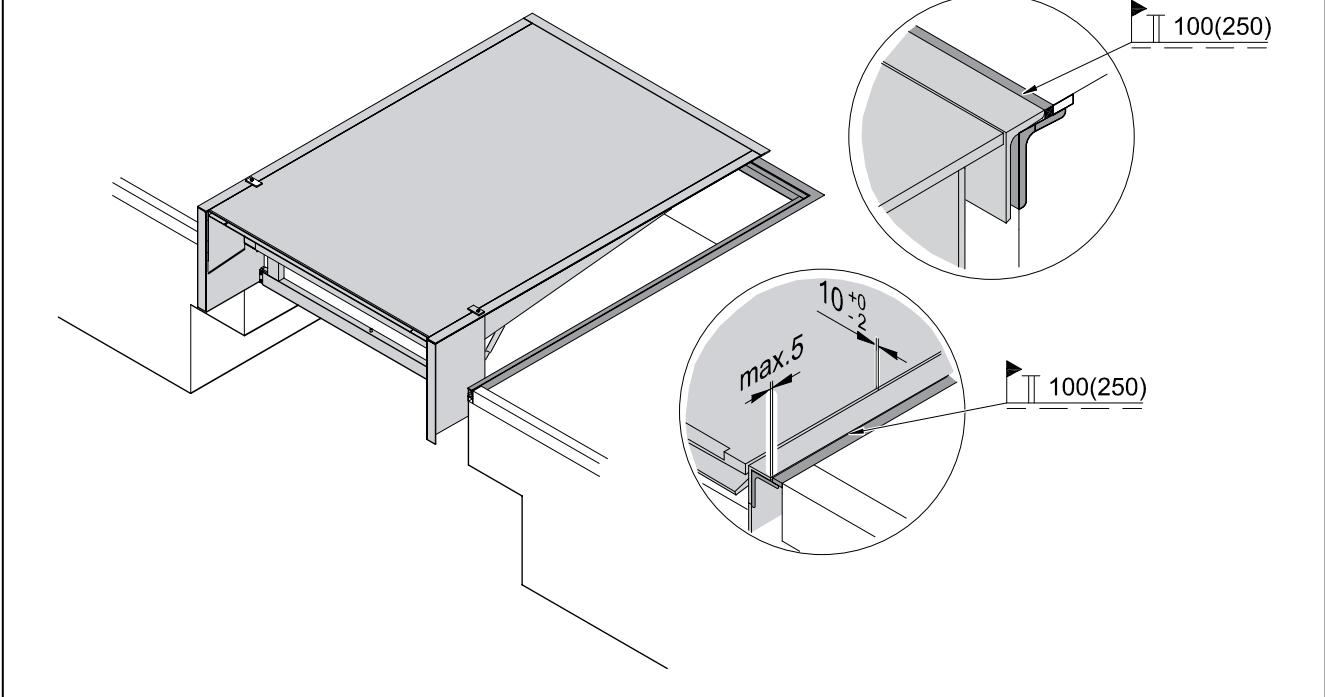
Le châssis préalable peut être fourni par le maître de l'ouvrage ou par Novoferm.

\* Retirez les entretoises avant de mettre le niveleur de quai en place.

Remarque générale :

La représentation peut être légèrement différente de la réalité.

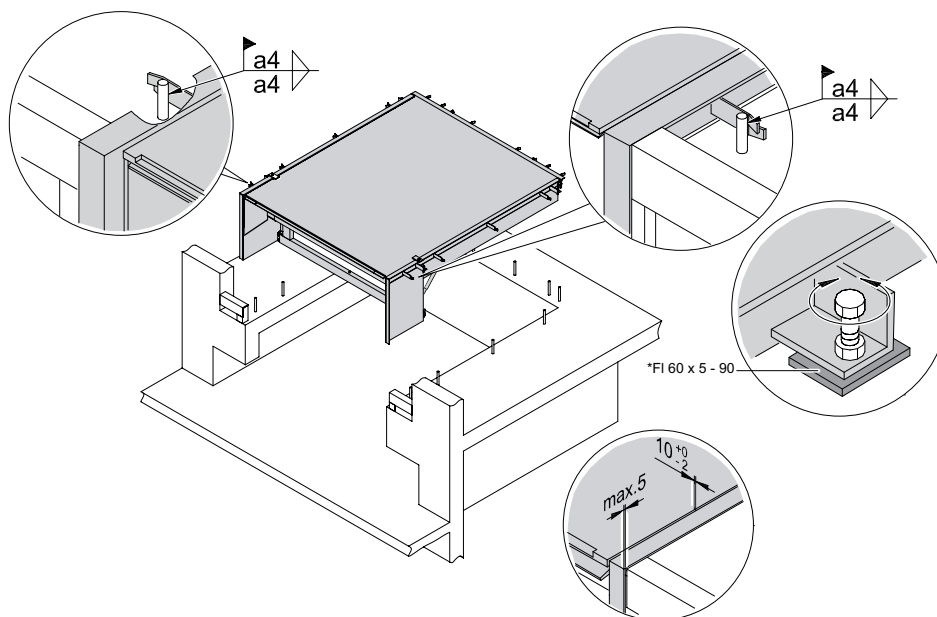
10.2



Remarque générale :

La représentation peut être légèrement différente de la réalité.

## 11.1



\* non fourni

### Remarque :

Hauteur de coulage du béton 100 - 160 mm

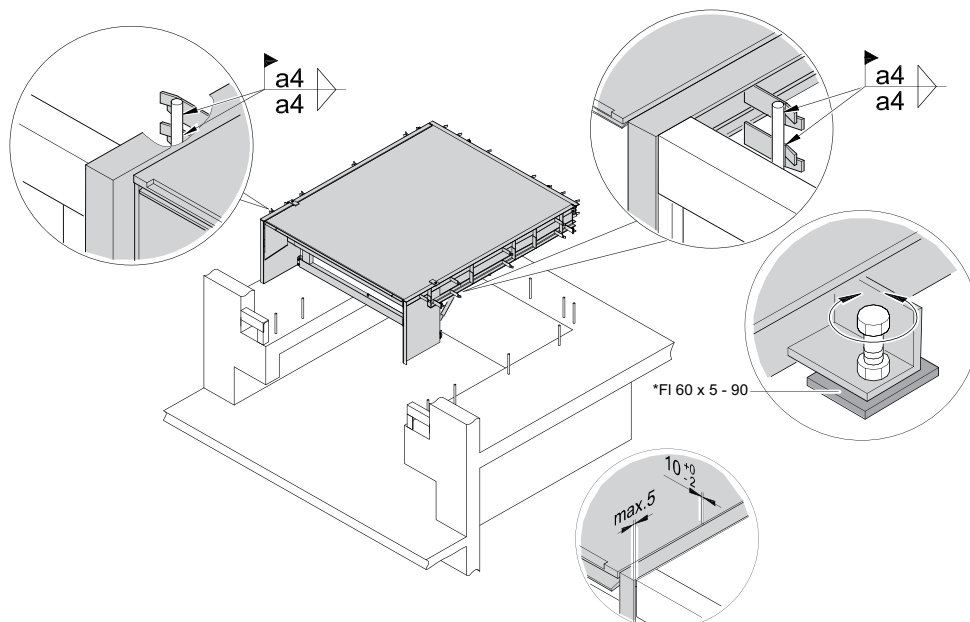


**Risque pour la santé lors du soudage d'éléments galvanisés :**  
Le soudage de pièces galvanisées libère des vapeurs pouvant entraîner de graves troubles de la santé en cas d'inhalation. Pour éviter cela, il est recommandé d'éliminer la couche de zinc présente aux extrémités à souder.

Remarque générale :

La représentation peut être légèrement différente de la réalité.

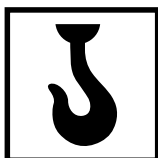
## 11.2



\* non fourni

### Remarque :

Hauteur de coulage du béton 160 - 250 mm

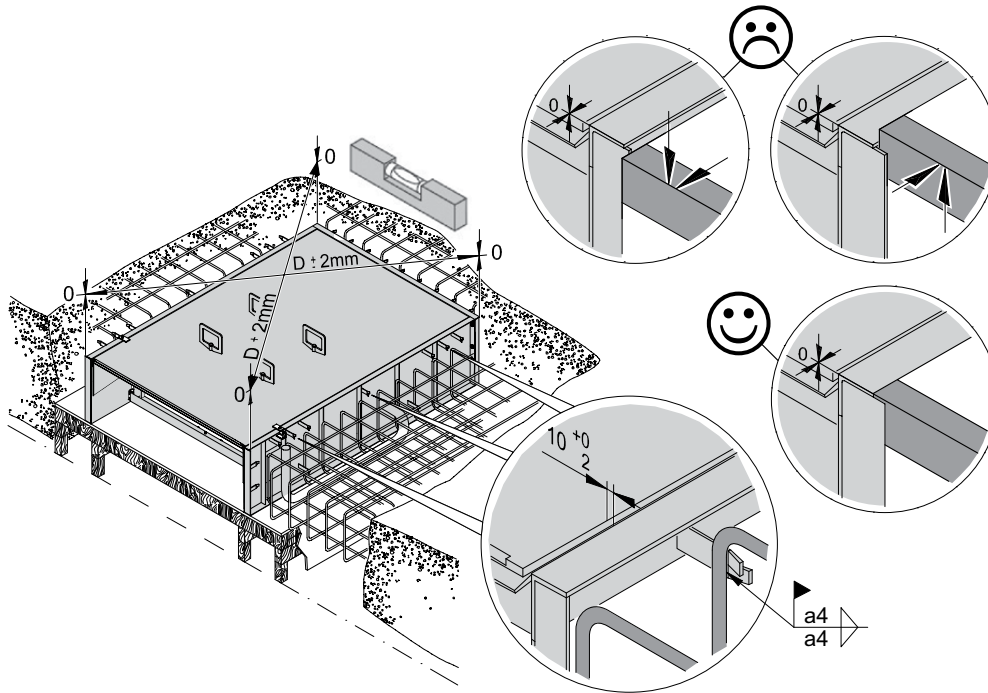


**Risque pour la santé lors du soudage d'éléments galvanisés :**  
Le soudage de pièces galvanisées libère des vapeurs pouvant entraîner de graves troubles de la santé en cas d'inhalation. Pour éviter cela, il est recommandé d'éliminer la couche de zinc présente aux extrémités à souder.

Remarque générale :

La représentation peut être légèrement différente de la réalité.

## 12.1



FR

**Remarque :**

Pour la fixation, utiliser les alésages de la surface de contact du châssis.

Laisser un interstice de 10 mm.

Mettre des entretoises en place le cas échéant.

**Coulage du béton**

1. Nous recommandons de protéger les surfaces visibles avec un film plastique avant de couler le béton.
2. Coulez la masse de scellement en béton lentement et par couches. Veillez à utiliser un béton de qualité, d'au moins C20/25. Si la hauteur de coulage est importante, assurez-vous que la pression latérale due à la mise en place et au compactage ne dépasse pas les limites admises. Les parois latérales risqueraient de se déformer dans le cas contraire.

**Risque pour la santé lors du soudage d'éléments galvanisés :**

Le soudage de pièces galvanisées libère des vapeurs pouvant entraîner de graves troubles de la santé en cas d'inhalation. Pour éviter cela, il est recommandé d'éliminer la couche de zinc présente aux extrémités à souder.

Remarque générale : La représentation peut être légèrement différente de la réalité.

## 13 Mise en service

**13.1 Outils**

- Avant la mise en service, retirez les poignées d'ancrage.
- Retirer les cales de sécurités de transport et les entretoises.
- Renvoyez les pièces réutilisables au constructeur ou au fournisseur.

**13.2 Contrôle**

Les niveleurs de quai sont testés et livrés avec leur huile hydraulique.

Attention aux points suivants lors de la mise en service :

- Vérifiez que la plate-forme se trouve au même niveau que le quai.

- Assurez la formation de personnel d'exploitation.
- Effectuez un essai.
- Consultez la notice d'utilisation séparée du coffret de commande.
- Assurez-vous que le niveleur de quai fonctionne régulièrement et en silence.
- Faites tester les dispositifs de sécurité.

Montagehandleiding  
**NovoDock L530i**

**Nederlands**

NL

# Inhoud

1. Introductie.....	49
2. Algemene instructies .....	50
3. Bouwkundige voorbereiding.....	52
4. Montage voorbereiding.....	53
5. Montagehandleiding frame CX.....	54
6. Elektrische aansluitingen.....	56
7. Uitvoering montage .....	58
8. Optie: Buffer.....	59
9. Frame AX.....	60
10. Frame BX .....	61
11. Frame DX .....	62
12. Frame EX.....	63
13. Inbedrijfstelling.....	63
Aantekeningen.....	80
Copyright .....	81

## 1. Introductie

Geachte klant,

Wij danken u voor de aanschaf van een Novoferm product. Wij hopen dat u tevreden bent en dit product aan uw verwachtingen voldoet.

Een correct gebruik en onderhoud vergroten de prestaties en levensduur van de leveller in hoge mate. Bedieningsfouten en een gebrekkig onderhoud veroorzaken onvermijdelijk storingen. Bovendien zijn een duurzaam en veilig bedrijf alleen gegarandeerd bij een zorgvuldig onderhoud.

NL



**Houd rekening met het volgende:**

Afhankelijk van de gekozen accessoires kan de levering extra montagehandleidingen omvatten, bijvoorbeeld voor de besturing van de leveller. Lees deze handleidingen zorgvuldig en volledig. Neem de instructies in acht en volg de veiligheidsinstructies en waarschuwingen zorgvuldig.

+++ WAARSCHUWING +++ WAARSCHUWING +++

## 2. Algemene instructies



### Lees deze informatie eerst!

- Het toepassingsgebied van deze leveller wordt in EN 1398 beschreven.
- Montage, reparaties, onderhoud en demontage moeten door een deskundige persoon worden uitgevoerd.
- Bij inbedrijfstelling moet de deskundige monteur op mogelijke gevaren letten en zich ervan vergewissen dat de leveller probleemloos functioneert.

+++ WAARSCHUWING +++ WAARSCHUWING +++

#### 2.1 Algemene instructies

- Lees de montagehandleiding volledig door, voordat u het product in gebruik neemt! Neem de opmerkingen in acht en volg de veiligheidsinstructies en waarschuwingen!



### Waarschuwing

- Schakel tijdens alle installatiewerkzaamheden de stroom uit en beveilig de installatie tegen onbevoegd inschakelen.
- Tijdens de montage kunnen delen naar beneden vallen, wat letsel en materiële schade kan veroorzaken.
- Bij contact met stroom bestaat het gevaar van elektrische schokken. Controleer of de elektrische installatie bij de klant volgens de geldende veiligheidseisen is uitgevoerd.
- Sluit nooit netspanning op de besturing aan; dit veroorzaakt onherstelbare schade aan de elektronica.
- Voer uitsluitend las- en schuurwerkzaamheden aan de leveller uit, wanneer dit op die plaats uitdrukkelijk is toegestaan. Zorg voor voldoende ventilatie om explosiegevaar door stof en andere brandbare materialen te voorkomen.

+++ WAARSCHUWING +++ WAARSCHUWING +++

Zorg ervoor dat de algemeen erkende, wettelijke en overige bindende regelingen voor ongevalpreventie en milieubescherming, de nationale voorschriften en erkende regels der techniek voor een veilige en correcte uitvoering van de werkzaamheden worden gevolgd.

- Controleer de geschiktheid van de meegeleverde bevestigingsmiddelen aan de hand van de bouwkundige omstandigheden. Gebruik uitsluitend geschikte bevestigingsmiddelen.
- Voer de stappen uit op basis van de montagetekeningen en in de juiste volgorde!
- Gebruik uitsluitend correcte en geschikte gereedschappen!
- Voor uitsluitend werkzaamheden aan de leveller uit, wanneer deze buiten bedrijf gesteld is.

- Wanneer deze maatregelen niet in acht worden genomen, kunnen ernstig letsel en materiaalbeschadigingen het gevolg zijn!
- De toe te passen componenten zijn vervaardigd uit hoogwaardige, duurzame en sterke materialen. Desondanks moet tijdens de montage voorzichtig te werk worden gegaan, om beschadigingen te voorkomen.
- Vervang eventueel beschadigde onderdelen altijd door originele reserveonderdelen. Anders is een correcte werking van de leveller niet gewaarborgd! Bovendien vervalt hierdoor de garantie!

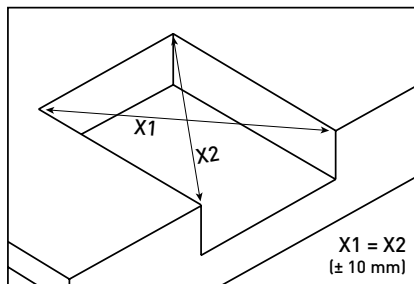
#### 2.2 Controleer vóór montage:

Controleer vóór de montage op de volgende punten:

- Voldoet de aanwezige netaansluiting aan de eisen van de leveller?
- Zijn er geschikte kabels en zekeringen aanwezig?
- Bij uitvoeringen die in een geprepareerde put worden gemonteerd: Voldoet de put aan de overeenkomstige inbouwtekeningen en is er een lege buis met een diameter van 70mm voor het aanleggen van de kabel geplaatst?

Begin pas met de montage, wanneer aan alle eisen is voldaan.

Om de maatnauwkeurigheid te controleren, meet u lengte en breedte van de put, de hoogte aan voor- en achterzijde alsmede de diagonalen. De lengten van de diagonalen (X) mogen onderling niet meer dan 10 mm afwijken.



Instructie: De leveller moet in de breedte exact horizontaal worden ingebouwd. Anders kan de functionaliteit van de leveller worden ingeperkt. Bovendien kan de leveller beschadigd raken.

#### 2.3 Montagegereedschap

Voor de montage hebt u het volgende montagegereedschap nodig:

- Lasapparaat ESAB caddy 200 (5–200A) of vergelijkbaar
- Lasstaaf ESAB OK 48.00 3,25 of vergelijkbaar

#### 2.4 Hefwerktuigen

- Vorheftruck: Draagvermogen van ten minste 35 kN, vorklengte 2000 mm, of
- Kraan: Draagvermogen van ten minste 35 kN in het benodigde werkbereik.

#### 2.5 Elektrische aansluitingen

- Kabel: 7x 0,75mm<sup>2</sup>
- Motorkabel: 4 x 1,5mm<sup>2</sup>

#### 2.6 Functietest

- Controleer alle bedrijfsmodi van de leveller na afloop van de montage. Gebruik hiervoor het testprotocol voor levellers.
- Vul hiervoor het testprotocol waarheidsgetrouw in en onderteken dit.
- Draag vervolgens deze montagehandleiding samen met de andere documentatie aan de klant over.



### Waarschuwing

Een defecte leveller kan letsel en materiële schade veroorzaken. Gebruik de leveller alleen, wanneer deze in goede staat verkeert.

+++ WAARSCHUWING +++ WAARSCHUWING +++

#### 2.7 Inbedrijfstelling

- De leveller mag pas na verstrekking van de conformiteitsverklaring in gebruik worden genomen.
- Instrueer de gebruikers, hoe zij de leveller moeten bedienen. Sta niet toe dat derden (bijv. bezoekers) de leveller bedienen.
- De montagehandleiding moet aan de klant worden gegeven en tijdens de gehele gebruiksduur worden bewaard!
- Verander niets aan de software van de programmeerbare besturing.
- Alleen de leverancier mag veranderingen aan of uitbreidingen op het geleverde product verrichten.



### Waarschuwing

Bewegingen van de leveller kunnen letsel of materiële schade veroorzaken.

- Controleer of er zich geen personen of voorwerpen in de buurt van de leveller bevinden, wanneer deze in beweging is.
- Gebruik de leveller nooit om personen of voorwerpen mee op te tillen.

+++ WAARSCHUWING +++ WAARSCHUWING +++



- Voor schade als gevolg van veronachtzaming van de montagehandleiding of een ondeskundig gebruik is de fabrikant niet aansprakelijk.
- Houd er rekening mee dat volgens de geldende voorschriften een deskundige persoon een jaarlijkse controle op de leveller dient uit te voeren.
- Elk jaar of om de 5.000 cycli moet er onderhoud worden verricht.

## 2.8 Demontage

Bij demontage van de leveller moet hoofdstuk 4 door een deskundige monteur in omgekeerde volgorde worden uitgevoerd.

## 2.9 Kwalificaties van het personeel

Montage vereist dat personeel voldoende gekwalificeerd is voor het uitvoeren van mechanische en elektrotechnische werkzaamheden alsmede van laswerkzaamheden en/of betonwerken, afhankelijk van het model.

Voor alle werkzaamheden aan de leveller is intensieve vakkennis vereist; deze werkzaamheden mogen uitsluitend door geautoriseerd personeel worden uitgevoerd. Geautoriseerd personeel bestaat uit geïnstrueerde en opgeleide vakmensen van de fabrikant.



### Instructie!

Bevestig hefwerktuigen op de door het overeenkomstige symbool aangeduide plaatsen!  
Gebruik altijd alle vier de transportogen (voor vorkheftrucks geldt: ten minste twee transportogen)!



### Voorzichtig, levensgevaar!

Gebruik alleen hefwerktuigen die in goede staat verkeren, op de juiste wijze en met een draagvermogen van minimaal 35 kN.  
Neem de voor uw onderneming geldige ongevalpreventievoorschriften in acht!  
Loop of werk nooit onder zwevende lasten!



### Voorzichtig!

Blijf uit de buurt van de rand van de put, om letsel aan voeten te voorkomen!



### Instructie!

Houd een spleet van 10 mm (+0, -2mm) aan de zijkant tussen frame en plateau aan.  
Het frame moet horizontaal worden uitgelijnd.



### Voorzichtig!

Voorafgaand aan alle werkzaamheden aan de elektrische uitrusting moet de leveller spanningsloos zijn en tegen opnieuw inschakelen worden beveiligd!  
Werkzaamheden aan het elektrische gedeelte van de leveller mogen uitsluitend door deskundig en geautoriseerd personeel worden uitgevoerd!



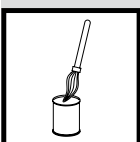
### Voorzichtig!

Neem altijd de geldige veiligheidsvoorschriften in acht!  
De aansluiting moet worden verricht door een elektromonteur volgens een bedradingsschema.  
Open de behuizing alleen, wanneer de hoofdschakelaar in de stand "0" staat.



### Instructie!

Controleer of alle functies van de leveller vanaf de bedieningsplaats kunnen worden gevolgd. De inbouwplaats van de elektronische besturing moet tegen spatwater beschermd zijn. Wanneer u storingen constateert, beveilig dan direct de leveller en neem contact op met de klantenservice van Novoferm.

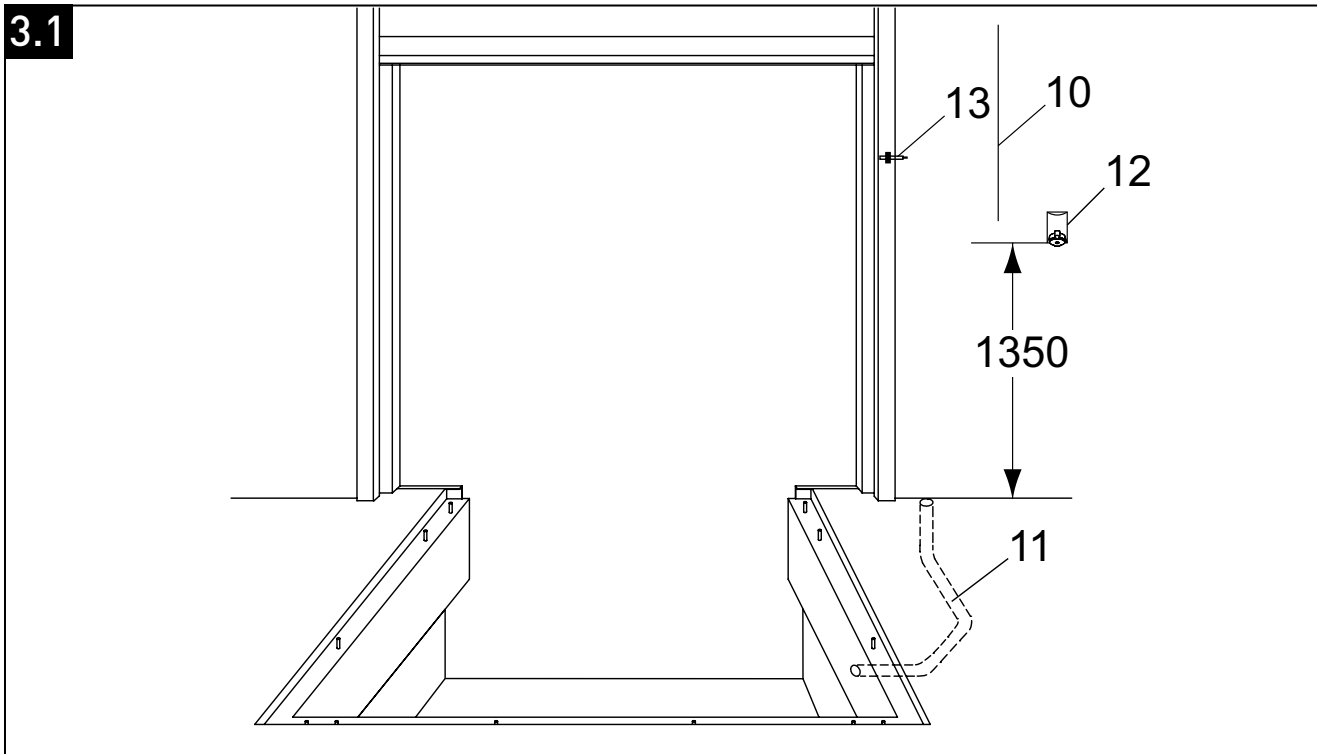


### Bijlakken van gelaste en beschadigde oppervlakken:

Te bewerken oppervlakken moeten droog zijn en vrij van vuil, vet, roest e.d.  
Gebruik een staalborstel en verdunner.

- Spuit zinkstof-primer op de oppervlakken en laat ca. 30 minuten drogen
- Na de montage kan elke lakschade met de meegeleverde reparatielak worden bijgelakt.

### 3. Bouwkundige voorbereiding

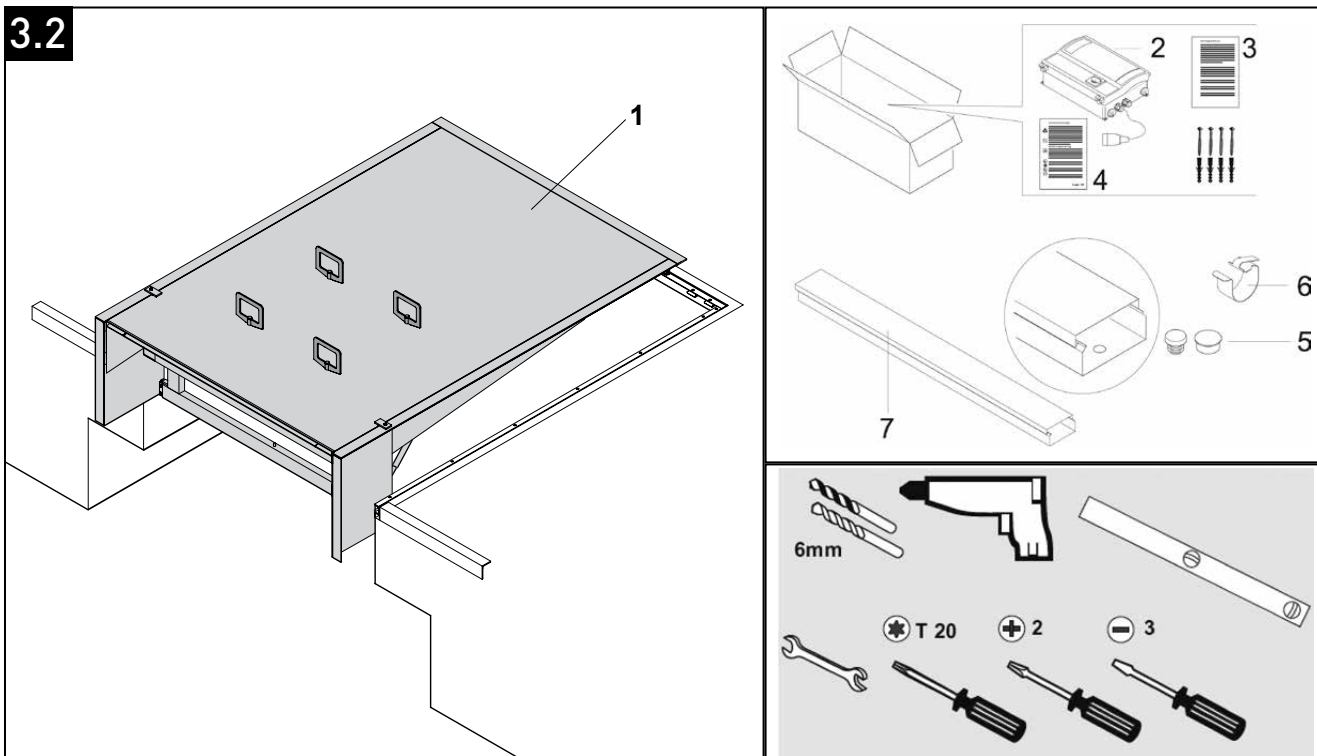


#### Bouwkundige voorbereiding

- 10 Netaansluiting: 3 / N / PE AC 50Hz 230/400V  
 Netzekering: D0 10A gl, motorvermogen: 1,5kW
- 11 Buis voor elektrische kabel, binnendiameter min. 70, bochtstuk  $\leq 45^\circ$

- 12 CEE-contactdoos 16A  
 13 Sensorpositie deur (optioneel)

Algemene instructie:  
 De installatie kan in detail afwijken van de afbeelding.



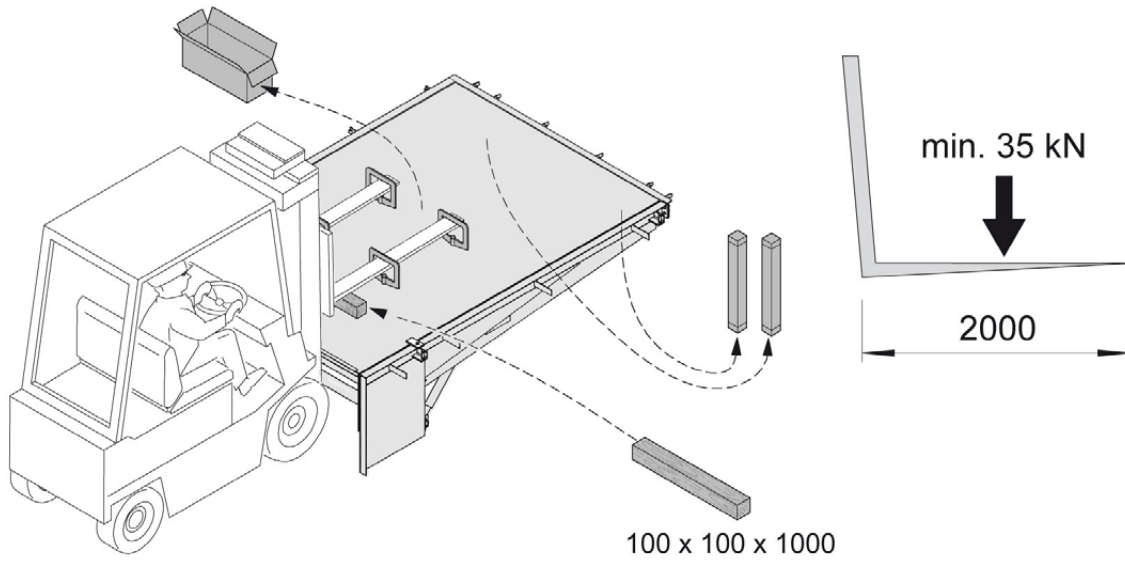
#### Montagemateriaal

- 1 Leveller  
 2 Besturing  
 3 Montage- en bedieningshandleiding besturing  
 4 Beknopte bedieningshandleiding

- 5 Kunststof sluitdop  
 6 Kabelklem  
 7 Kabelgoot (niet meegeleverd)

Algemene instructie:  
 De installatie kan in detail afwijken van de afbeelding.

### 4.1

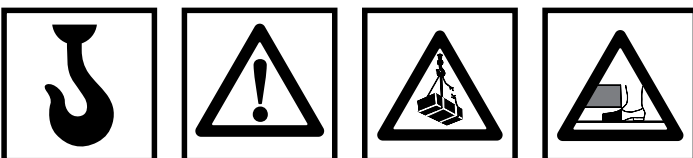
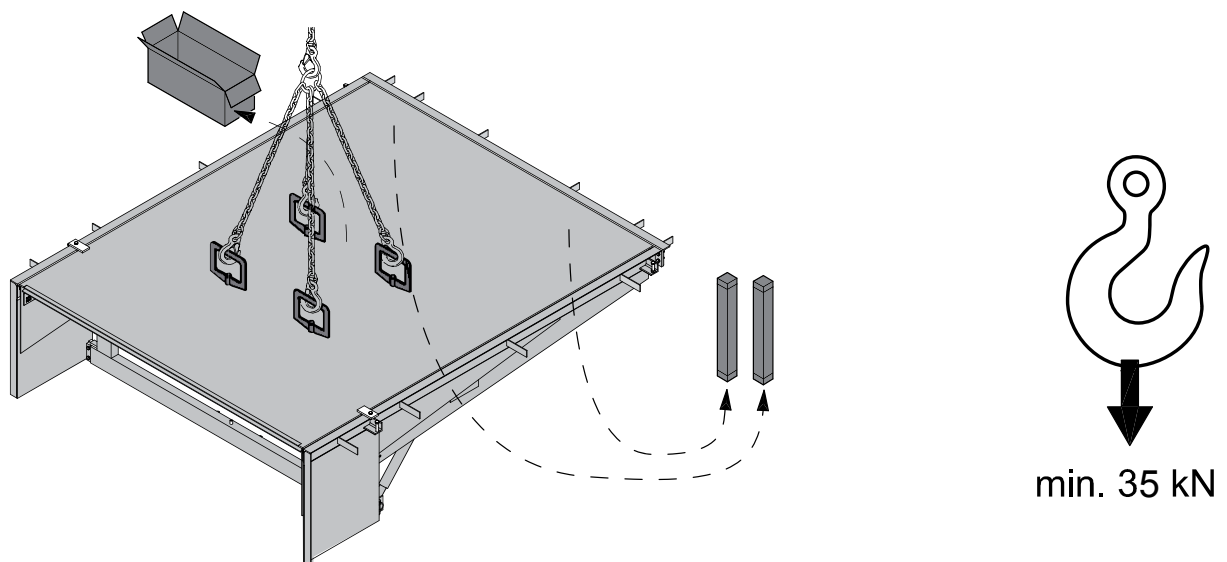


#### Instructie

- De houten balk wordt niet meegeleverd.

Algemene instructie: De installatie kan in detail afwijken van de afbeelding.

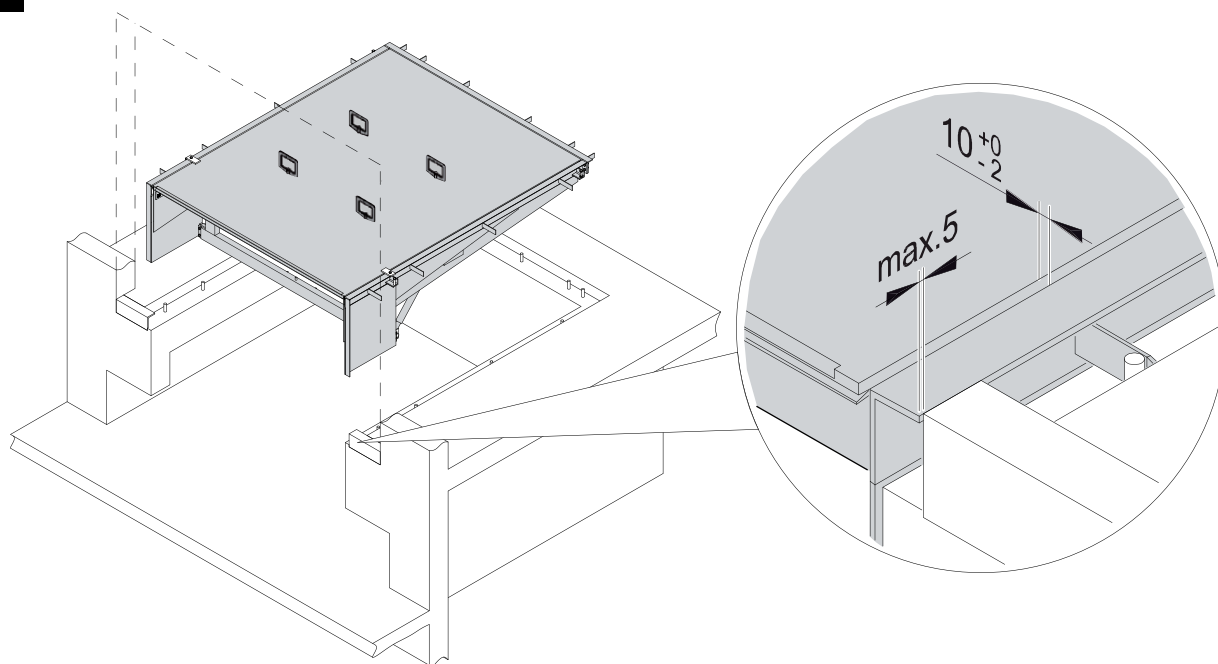
### 4.2



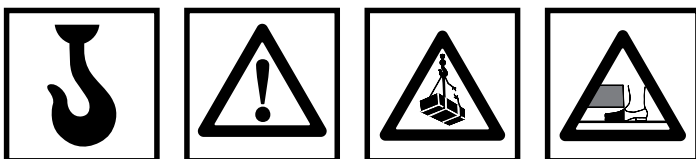
Algemene instructie:  
De installatie kan in detail afwijken van de afbeelding.

## 5. Montagehandleiding frame CX

5.1

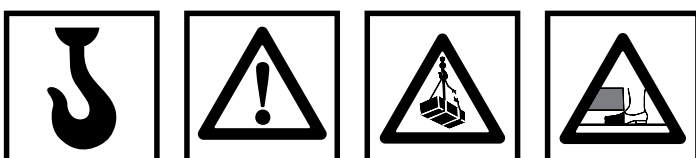
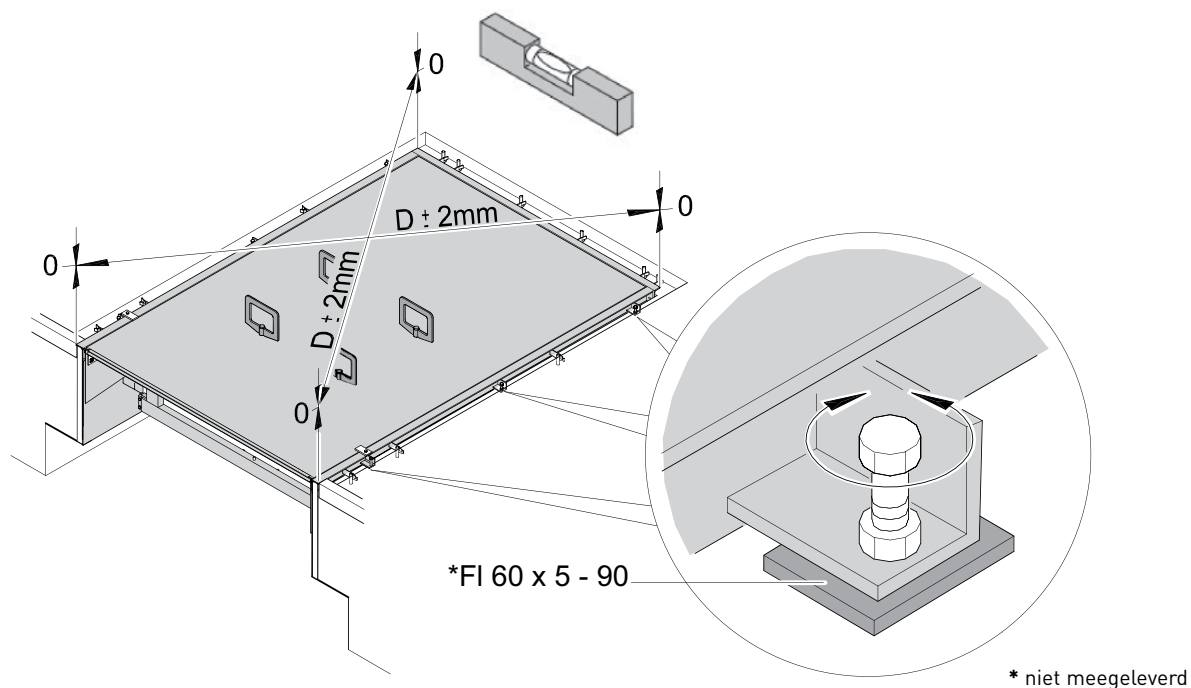


NL



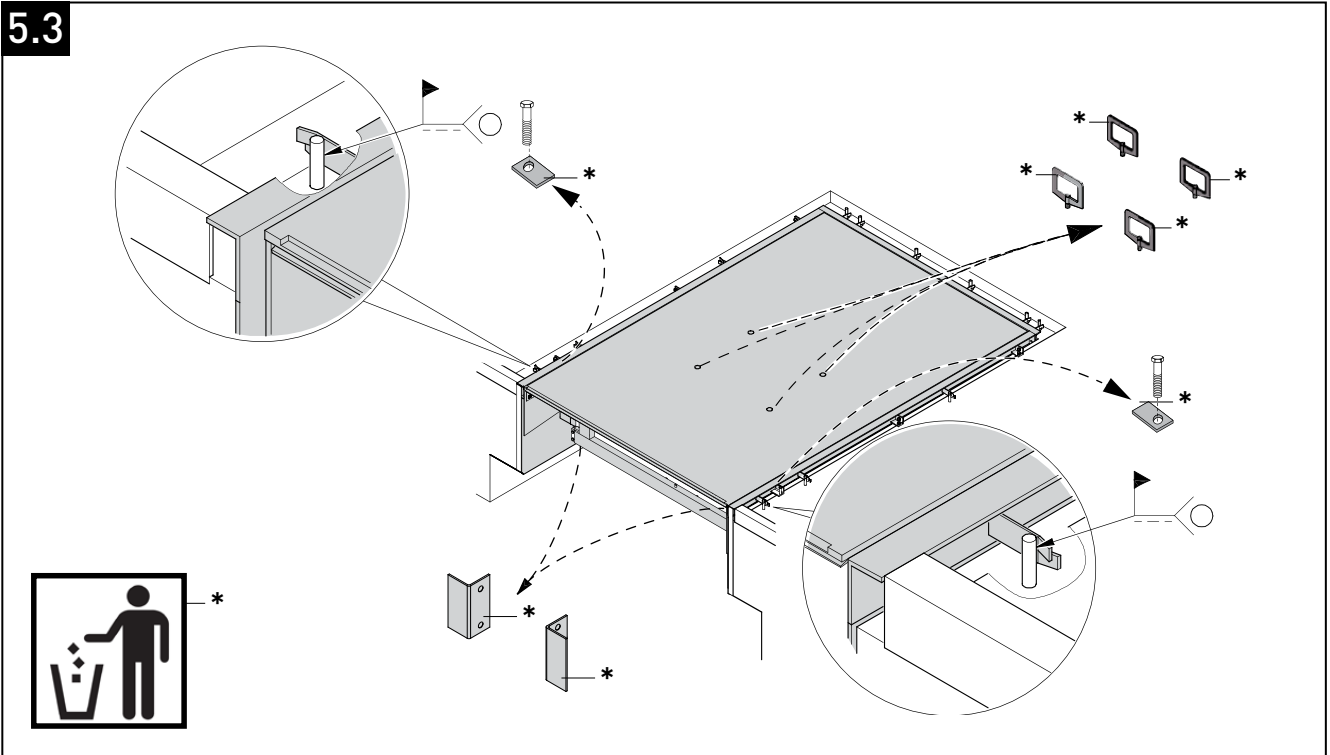
Algemene instructie:  
De installatie kan in detail afwijken van de afbeelding.

5.2

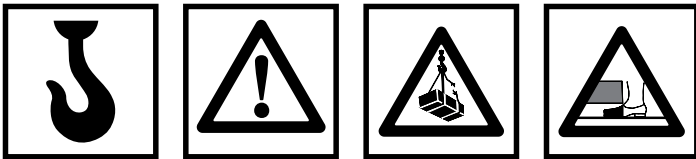


Algemene instructie:  
De installatie kan in detail afwijken van de afbeelding.

### 5.3



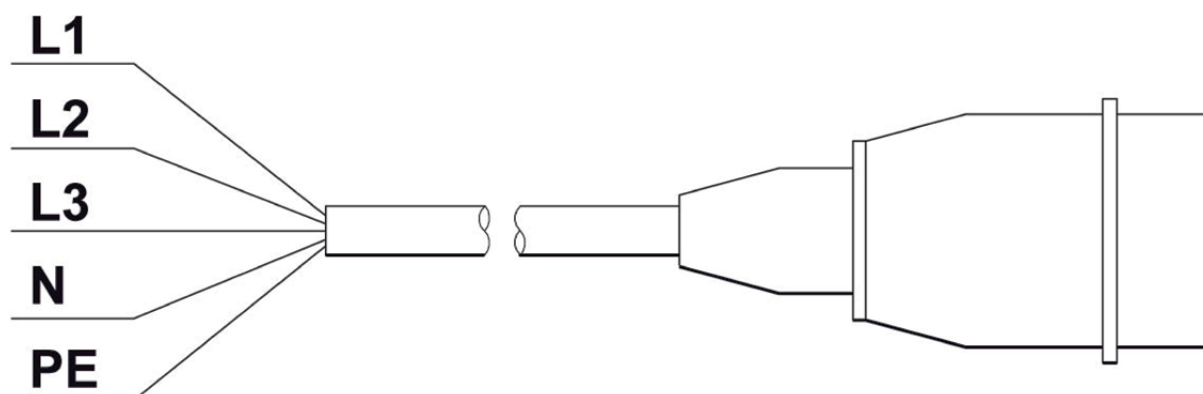
NL



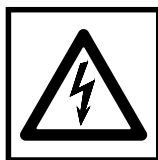
Algemene instructie:  
De installatie kan in detail afwijken van de afbeelding.

## 6. Elektrische aansluitingen

### 6.1

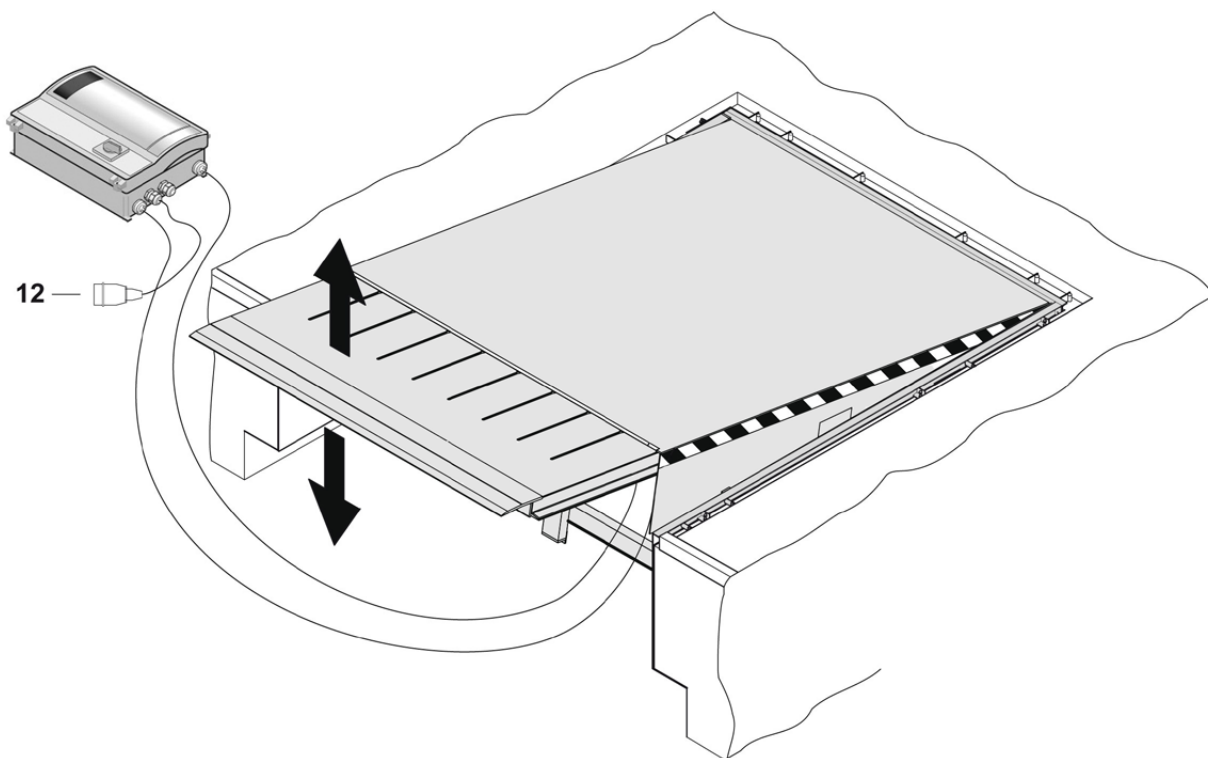


Algemene instructie: De installatie kan in detail afwijken van de afbeelding.



	(DE)	(EN)	(FR)	(NL)
L1 =	Braun (1)	Brown (1)	Brun (1)	Bruin (1)
L2 =	Schwarz (2)	Black (2)	Noir (2)	Zwart (2)
L3 =	Grau (3)	Grey (3)	Gris (3)	Grijs (3)
N =	Blau (4)	Blue (4)	Bleu (4)	Blaauw (4)
PE =	gelb/grün	yellow/green	jaune/vert	geel/groen

### 6.2

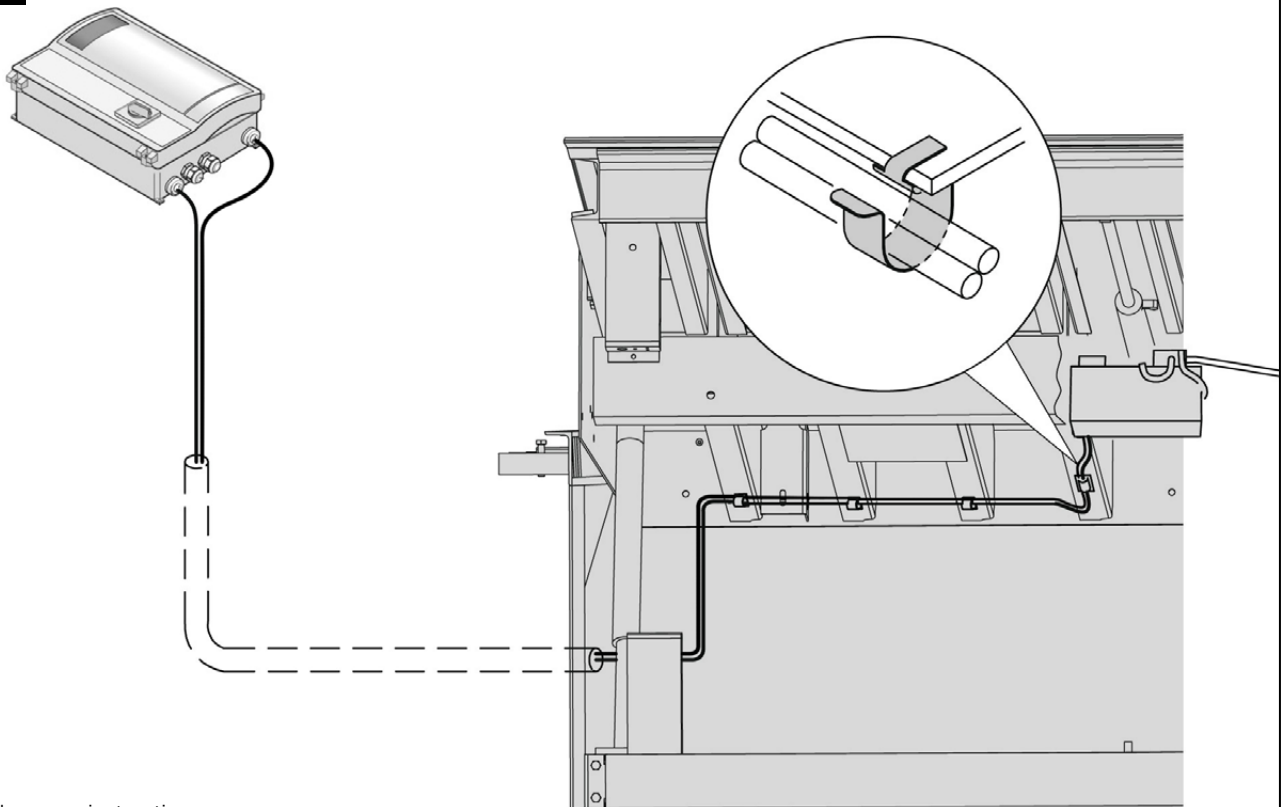


#### Instructie

Controleer of de slangverbindingen van het hydraulisch systeem stevig zijn bevestigd.

Algemene instructie: De installatie kan in detail afwijken van de afbeelding.

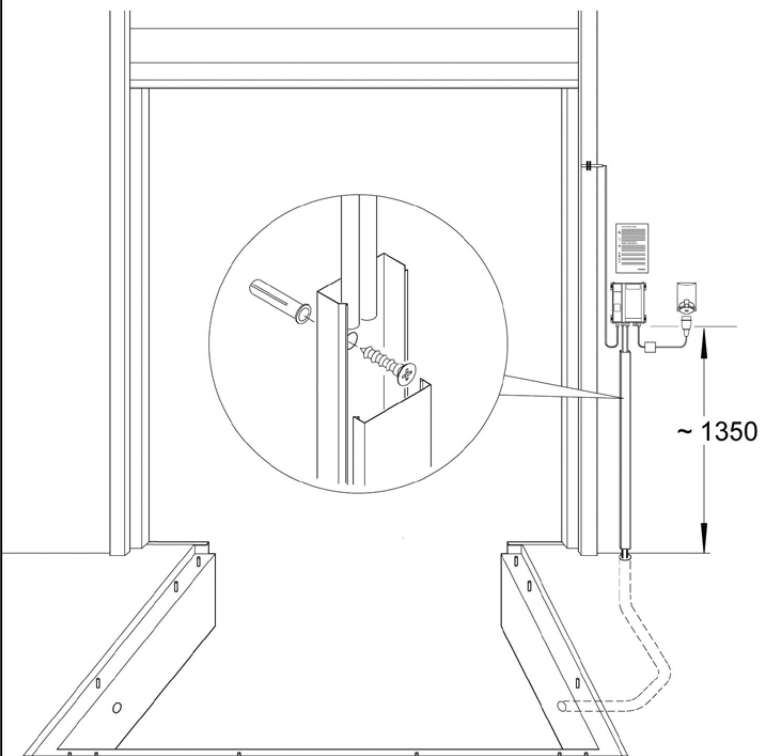
### 6.3



NL

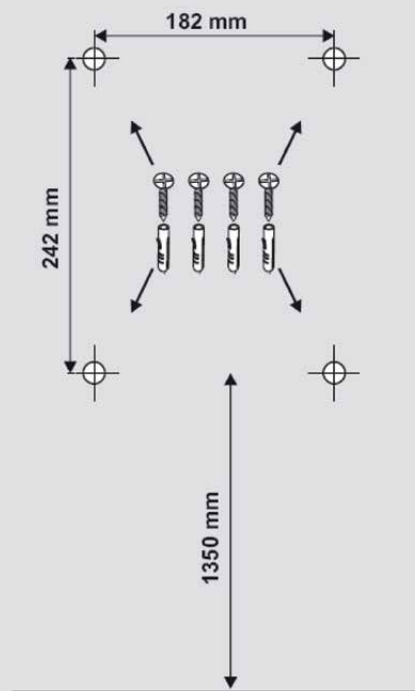
Algemene instructie:  
De installatie kan in detail afwijken van de afbeelding.

### 6.4



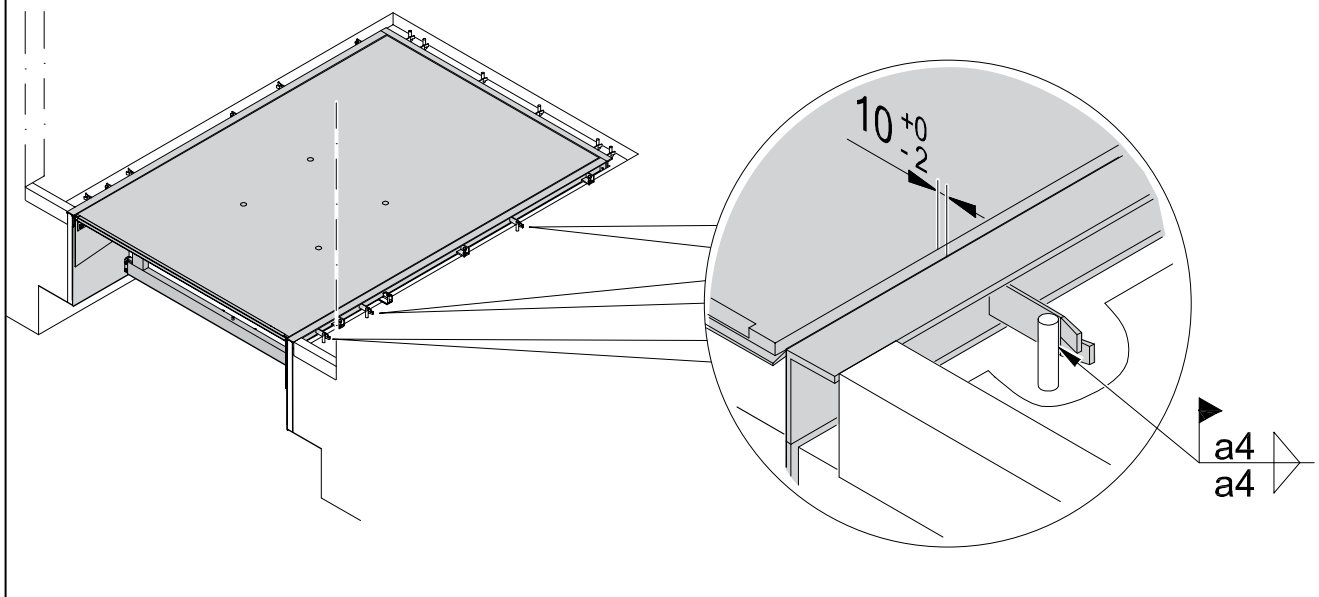
Algemene instructie: De installatie kan in detail afwijken van de afbeelding.

### 6.5



## 7. Uitvoering montage

7.1



### Instructie

Las de ankers van de leveller op de versterking resp. op de deuvels.

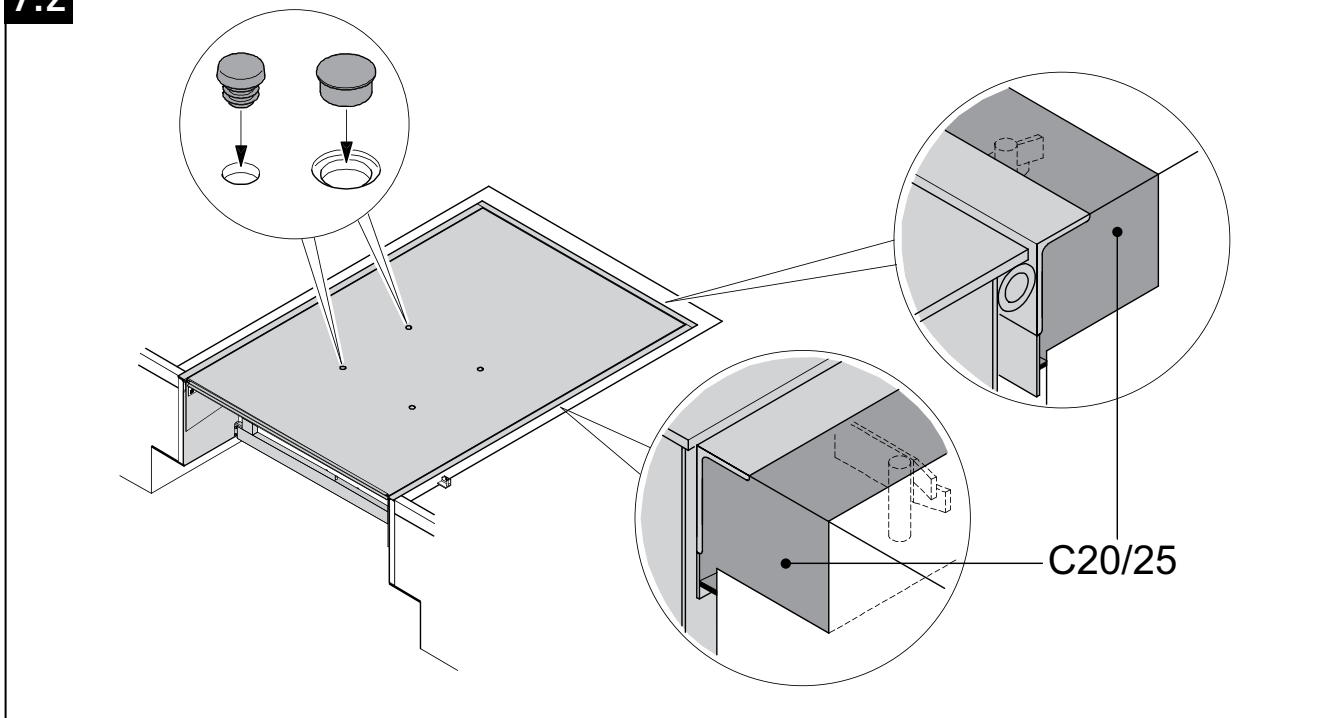


### Gezondheidsrisico's bij het lassen van verzinkte onderdelen:

Tijdens het lassen van verzinkte onderdelen komen dampen vrij, die bij inademing gezondheidsrisico's met zich meebrengen. Schuur om dit te voorkomen de zinklaag van de te lassen onderdelen af.

Algemene instructie: De installatie kan in detail afwijken van de afbeelding.

7.2



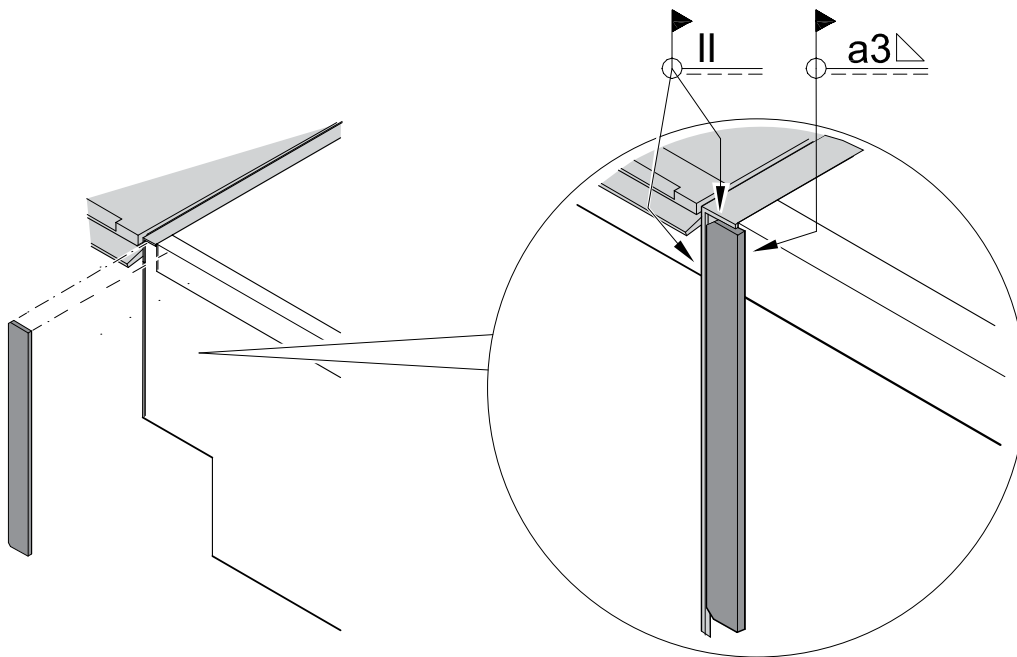
### Instructie

Voordat het vloeibare beton wordt uitgegoten, moet de plaatsingspositie ten opzichte van de leveller op de montageplaats worden afgedicht. Wij raden aan om vóór het uitgieten het platform te voorzien van een beschermfolie. Giet het vloeibare beton uit. Gebruik een beton van geschikte kwaliteit, d.w.z. minimaal C20/25. Voorkom dat bij een grote ingiepthoogte de zijkant als gevolg van het gieten en verdichten te sterk wordt belast. De zijwanden kunnen anders vervormd raken.

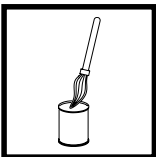
Algemene instructie: De installatie kan in detail afwijken van de afbeelding.



7.3



NL



**Instructie**

Lak de lasnaden met de meegeleverde reparatielak, zodat deze niet kunnen roesten

De uitvoering van de frontplaat zoals weergegeven in 6.8 kan afhankelijk van de optie afwijken. Bij montage van een buffer vervalt de frontplaat uit afbeelding 6.8. Afhankelijk van de uitvoering moet de meegeleverde bufferplaat worden vastgelast. Neem hiervoor de betreffende montagehandleiding in acht.

Algemene instructie: De installatie kan in detail afwijken van de afbeelding.

## 8. Optie buffer

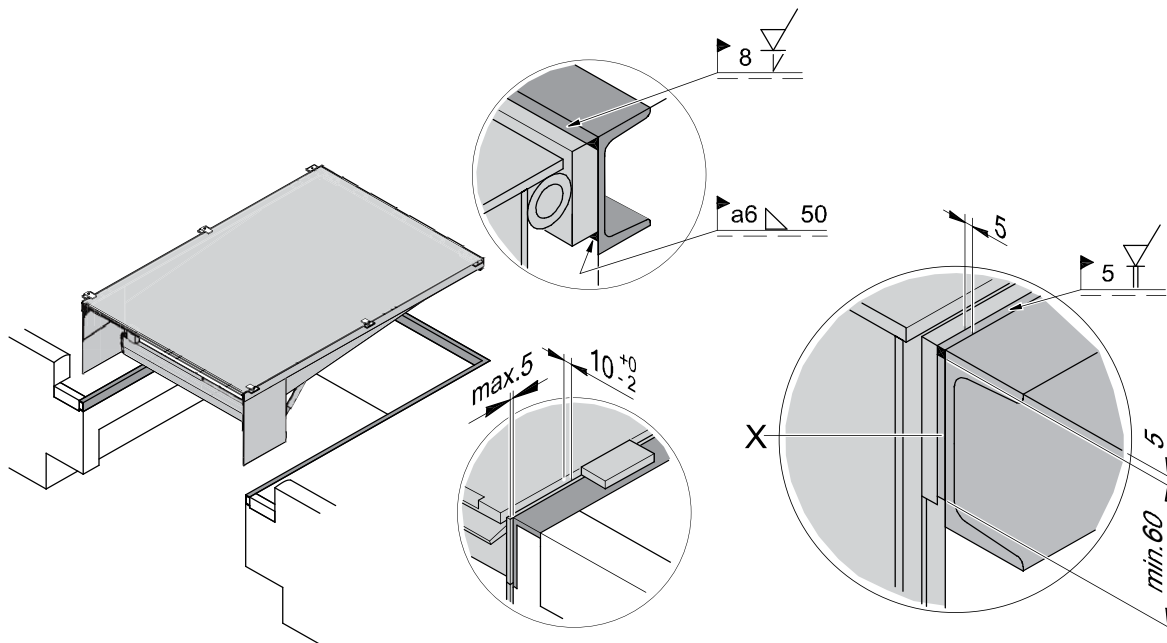


**Aanrijdbuffer (wordt niet bij de leveller meegeleverd).**

Bescherm het laadperron en de voertuigen met geschikte aanrijdbuffers. Bij botsbelastingen van meer dan 100 kN moeten evt. speciale maatregelen worden getroffen. Neem hiervoor contact op met uw leverancier of de fabrikant.

## 9. Frame AX

9.1



### Instructie

X opvulplaten bij de lasnaden (niet meegeleverd)

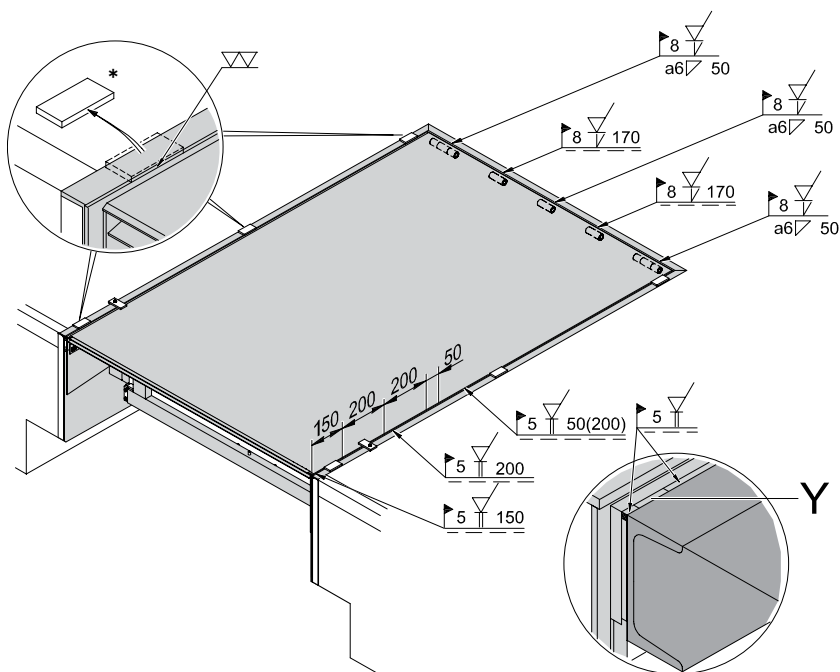


**Gezondheidsrisico's bij het lassen van verzinkte onderdelen:**  
Tijdens het lassen van verzinkte onderdelen komen dampen vrij, die bij inademing gezondheidsrisico's met zich meebrengen. Schuur om dit te voorkomen de zinklaag van de te lassen onderdelen af.

Algemene instructie:

De installatie kan in detail afwijken van de afbeelding.

9.2



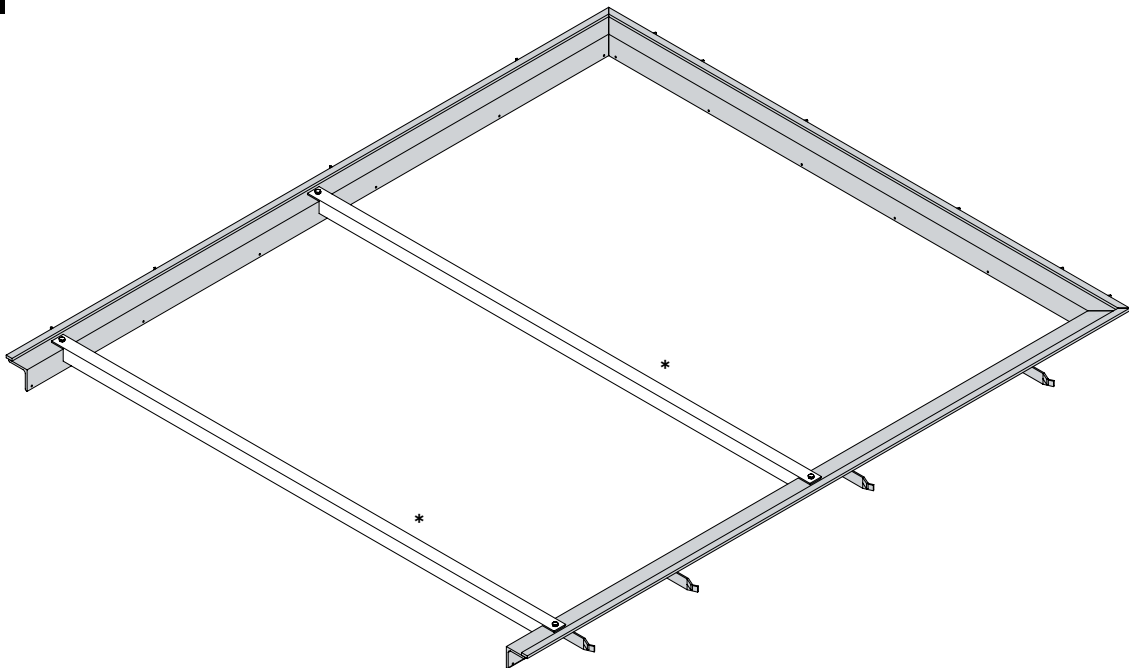
### Instructie

\* Na laswerkzaamheden verwijderen

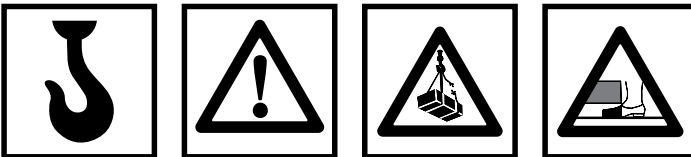
Y holle ruimten moeten worden afgedicht.

Algemene instructie: De installatie kan in detail afwijken van de afbeelding.

10.1



NL



**Instructie**

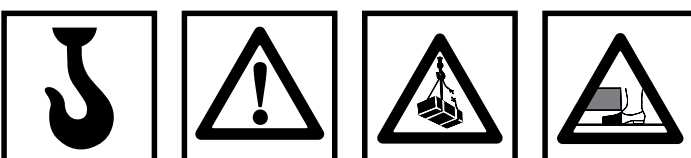
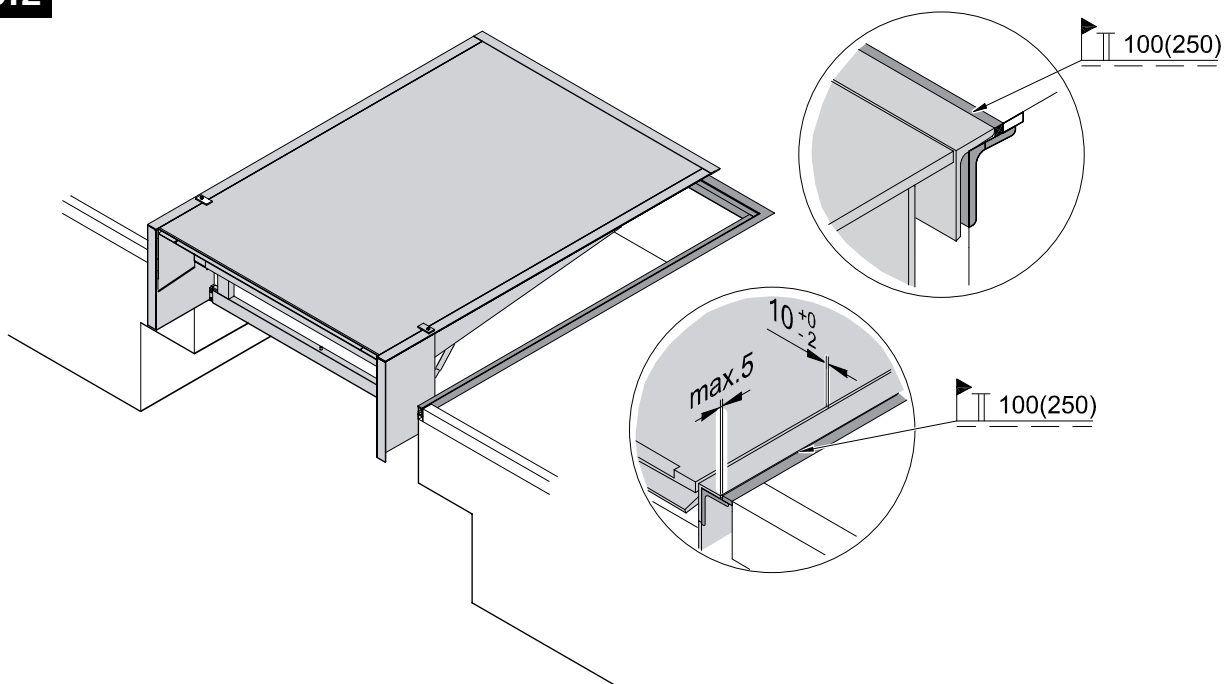
Een voorgefabriceerd frame kan door derden op de montageplaats of door Novoferm worden geleverd.

\* Verwijder vóór het plaatsen van de levdeller de dwarssteunen.

Algemene instructie:

De installatie kan in detail afwijken van de afbeelding.

10.2

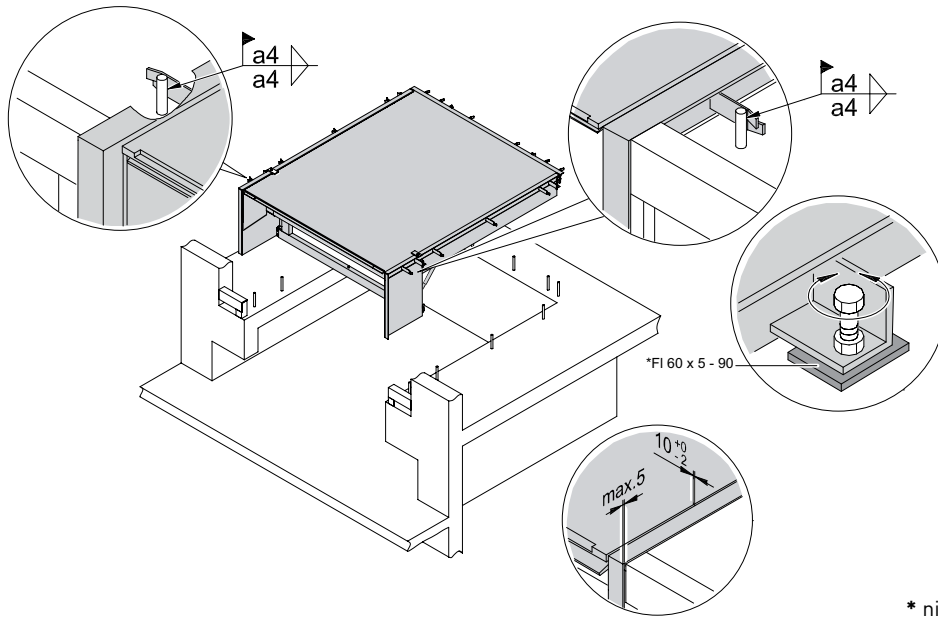


Algemene instructie:

De installatie kan in detail afwijken van de afbeelding.

# 11. Frame DX

## 11.1



\* niet meegeleverd

### Instructie

Betonhoogte 100 - 160 mm

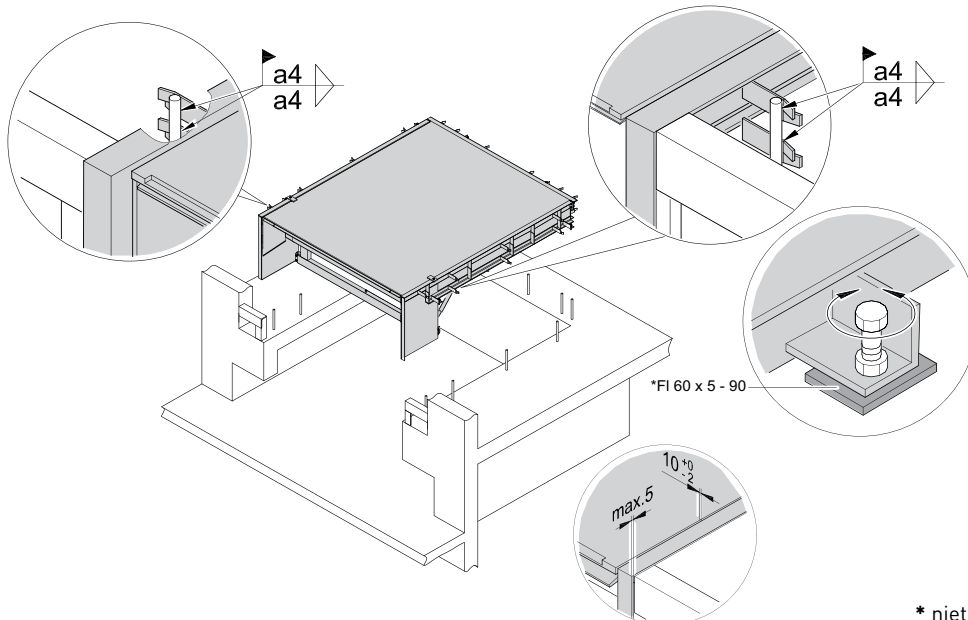


**Gezondheidsrisico's bij het lassen van verzinkte onderdelen:** Tijdens het lassen van verzinkte onderdelen komen dampen vrij, die bij inademing gezondheidsrisico's met zich meebrengen. Schuur om dit te voorkomen de zinklaag van de te lassen onderdelen af.

Algemene instructie:

De installatie kan in detail afwijken van de afbeelding.

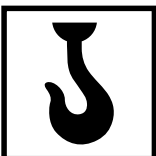
## 11.2



\* niet meegeleverd

### Instructie

Betonhoogte 160 - 250 mm

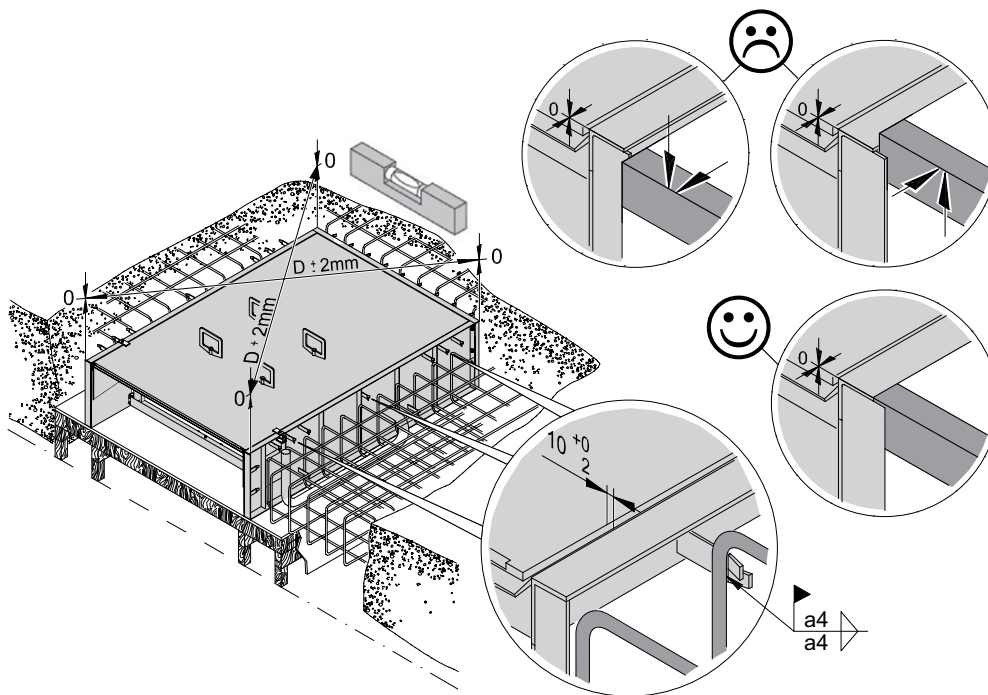


**Gezondheidsrisico's bij het lassen van verzinkte onderdelen:** Tijdens het lassen van verzinkte onderdelen komen dampen vrij, die bij inademing gezondheidsrisico's met zich meebrengen. Schuur om dit te voorkomen de zinklaag van de te lassen onderdelen af.

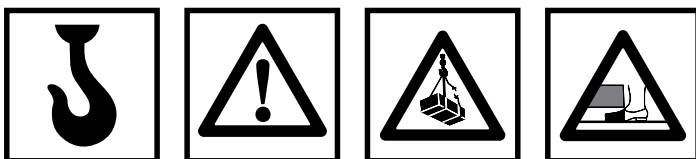
Algemene instructie:

De installatie kan in detail afwijken van de afbeelding.

## 12.1



NL

**Instructie**

Maak ter bevestiging gebruik van boorgaten in het grondvlak van het frame.

Houd een spleet van 10 mm aan.

Plaats indien nodig dwarssteunen.

**Ingieten**

1. We raden aan om vóór het ingieten de zichtbare oppervlakken te voorzien van een beschermfolie.
2. Giet het vloeibare beton langzaam en laagsgewijs uit. Gebruik een beton van geschikte kwaliteit, d.w.z. minimaal C20/25. Voorkom dat bij een grote ingiethoogte de zijkant als gevolg van het gieten en verdichten te sterk wordt belast. De zijwanden kunnen anders vervormd raken.

**Gezondheidsrisico's bij het lassen van verzinkte onderdelen:**

Tijdens het lassen van verzinkte onderdelen komen dampen vrij, die bij inademing gezondheidsrisico's met zich meebrengen. Schuur om dit te voorkomen de zinklaag van de te lassen onderdelen af.

Algemene instructie: De installatie kan in detail afwijken van de afbeelding.

## 13. Inbedrijfstelling

**13.1 Hulpmiddelen**

- Verwijder vóór inbedrijfstelling de transportogen.
- Verwijder de transportbeveiligingen en de afstandhouders.
- Retourneer herbruikbare onderdelen aan de fabrikant of leverancier.

**13.2 Controle**

Levellers worden getest en inclusief hydraulische olie geleverd.

Houd bij inbedrijfstelling rekening met de volgende punten:

- Controleer of het platform en het laadperron zich op gelijke hoogte bevinden.

- Zorg ervoor dat het bedieningspersoneel behoorlijk is opgeleid.
- Laat de installatie proefdraaien.
- Volg daarbij de aparte besturingshandleiding.
- Controleer of de leveller gelijkmatig en rustig loopt.
- Laat de veiligheidsvoorzieningen testen.

Manual de Instalación  
**NovoDock L530i**

**Español**

ES

# Contenido

1. Introducción .....	65
2. Aspectos generales .....	66
3. Preparación por parte de la empresa ...	68
4. Preparación del montaje .....	69
5. Instrucciones de montaje bastidor CX...70	
6. Conexiones eléctricas.....	72
7. Montaje de elementos de acabado....	74
8. Opción: amortiguador.....	75
9. Bastidor AX .....	76
10. Bastidor BX .....	77
11. Bastidor DX .....	78
12. Bastidor EX .....	79
13. Puesta en marcha.....	79
Observaciones.....	80
Copyright.....	81

## 1. Introducción

### Estimado cliente:

Le damos las gracias por haber elegido un producto Novoferm. Esperamos que esté satisfecho y que se hayan visto satisfechas sus expectativas.

Un funcionamiento y un mantenimiento correctos permiten incrementar en gran medida las prestaciones y la duración del puente de sobrecarga. Unos errores de funcionamiento y un mantenimiento defectuoso serán motivo de averías inevitables. Asimismo el uso seguro y sostenible solo está garantizado si se lleva a cabo una operación normal y un mantenimiento cuidadoso y correcto.

ES



### Deberá cumplir:

Dependiendo de los accesorios y repuestos que se utilicen, en el suministro se pueden incluir instrucciones de montaje adicionales, como, por ejemplo, para el control del puente de sobrecarga. Lea estas instrucciones íntegramente y con atención. Deberá respetar los indicaciones y obedecer al pie de la letra los consejos de seguridad y de advertencia.

+++ ADVERTENCIA +++ ADVERTENCIA +++

## 2. Aspectos generales



**¡Lea primeramente esto!**

- El ámbito de aplicación de este puente de sobrecarga viene descrito en la EN 1398.
- El montaje, reparaciones, mantenimiento y desmontaje deberán ser realizados por técnicos expertos.
- Para la puesta en marcha el montador experto debe ocuparse de los posibles peligros y demostrar que el puente de sobrecarga funciona sin problemas.

+++ ADVERTENCIA +++ ADVERTENCIA +++

ES

### 2.1 Aspectos generales

- Lea íntegramente las instrucciones de montaje antes de utilizar el producto. Deberá respetar las observaciones y adherirse a las instrucciones de seguridad y advertencia.



**Advertencia**

- Desconecte la tensión durante todos los trabajos de instalación y asegure el equipo contra una conexión inintencionada.
- Durante el montaje pueden caer piezas, lo que podría ocasionar heridas en personas y daños en objetos.
- Durante el contacto con la corriente existe el peligro de una descarga eléctrica. Asegúrese de que la instalación eléctrica ha sido realizada en las instalaciones del cliente según los requisitos de seguridad.
- No conecte nunca la tensión de red a la unidad de control, ya que esto podría ocasionar daños irreparables en la electrónica.
- Debe realizar trabajos de soldadura y de rectificadado en el puente de sobrecarga si está permitido expresamente en este lugar. Ocúpese de facilitar ventilación suficiente para evitar peligros de explosión por el polvo u otros materiales combustibles.

+++ ADVERTENCIA +++ ADVERTENCIA +++

Tenga en cuenta que se respetarán los reglamentos generales reconocidos, legales y vinculantes para la prevención de accidentes y para la protección del medio ambiente, las prescripciones nacionales y las reglas reconocidas de la técnica para la ejecución segura y correcta de los trabajos.

- Compruebe la adecuación de los elementos de fijación que se suministran de conformidad con los datos de construcción. Utilice solo elementos de fijación adecuados.
- Lleve a cabo los pasos siguiendo el orden de lo estipulado en los planos de montaje.

- ¡Utilice solo las herramientas correspondientes y adecuadas para el trabajo!
- Ejecute trabajos en el puente de sobrecarga únicamente si se deja sin funcionamiento el puente de sobrecarga.
- Si no se respetan estas medidas, podrían ocasionarse graves heridas personales, así como daños materiales.
- Los componentes que se van a utilizar están fabricados con materiales duraderos, sólidos y de gran valor. A pesar de ello, durante el montaje, se deberá proceder con cuidado para prevenir cualquier tipo de daño.
- Recambie siempre las piezas eventualmente dañadas por repuestos originales. De lo contrario no quedará garantizado el funcionamiento correcto del puente de sobrecarga. Además perderá su efectividad la garantía correspondiente.

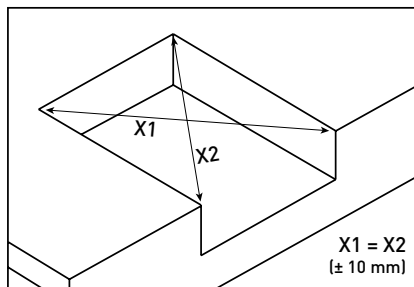
### 2.2 Compruebe antes del montaje:

Compruebe los siguientes datos antes del montaje:

- ¿Corresponde la conexión a la red existente con las exigencias del puente de sobrecarga?
- ¿Están disponibles los cables y los fusibles adecuados?
- En el caso de versiones que vayan montadas en un foso previamente practicado: ¿Corresponde el foso con los planos de montaje correspondientes y lleva un tubo vacío con un diámetro de 70 mm para el trazado del cable?

Comience inmediatamente con el montaje si se han cumplido todas las premisas.

Para controlar la previsión dimensional, deberá medir la longitud y la anchura del foso, la altura en la parte delantera y trasera, y las diagonales. Las diagonales (X) no pueden diferir en su longitud en más de 10 mm entre sí.



Consejo: A lo ancho el puente de sobrecarga deberá montarse totalmente horizontal. Por otro lado la funcionalidad del puente de sobrecarga puede verse limitada. De igual manera existe el peligro de daños en el puente de sobrecarga.

### 2.3 Herramienta de montaje

Para el montaje se necesita la siguiente herramienta de montaje:

- Máquina de soldadura ESAB caddy 200 (5-200A) o similar.
- Varilla de soldadura ESAB OK 48.00 3,25 o similar.

### 2.4 Aparatos de elevación

- Carretilla elevadora de horquilla: Carga portante de al menos 35 kN, Longitud del diente de la horquilla 2000 mm, o
- Grúa: Carga portante de al menos 35 kN en la zona de trabajo necesaria.

### 2.5 Conexiones eléctricas

- Cable: 7x 0,75 mm<sup>2</sup>
- Cable del motor: 4 x 1,5 mm<sup>2</sup>

### 2.6 Prueba de funcionamiento

- Compruebe todos los modos operativos del puente de sobrecarga tras la conexión del montaje. Utilice para ello el registro de pruebas para puentes de sobrecarga.
- Cumplimente el registro de pruebas de acuerdo con la verdad y fírmelo.
- Entregue al cliente estas instrucciones de montaje junto con el resto de documentos.



**Advertencia**

Un puente de sobrecarga defectuoso puede producir daños en personas y daños en objetos. Utilice el puente de sobrecarga solo si éste se encuentra en un estado sin problemas.

+++ ADVERTENCIA +++ ADVERTENCIA +++

### 2.7 Puesta en marcha

- El puente de sobrecarga puede empezar a utilizarse tras la entrega de la correspondiente declaración de conformidad.
- Informe a los usuarios sobre la forma en la que se debe operar el puente de sobrecarga. No permita que terceros (por ejemplo, visitas) puedan manipular el puente de carga.
- Estas instrucciones de montaje deberán entregarse al cliente y conservarse durante toda la vida útil del equipo.
- No realice modificación alguna en el software del control programable.
- Las modificaciones o ampliaciones del producto suministrado solo pueden ser realizadas por el proveedor.



**Advertencia**

Los movimientos del puente de sobrecarga pueden ocasionar heridas en personas o en objetos.

- Asegúrese de que no haya personas, ni elemento alguno en la zona del puente de sobrecarga durante el movimiento del mismo.
- No utilice nunca el puente de sobrecarga para elevar personas u objetos.

+++ ADVERTENCIA +++ ADVERTENCIA +++



- El fabricante no se hace responsable de daños que se produzcan por la no observación de las instrucciones de montaje o la utilización inadecuada del dispositivo.
- Tenga en cuenta que la normativa vigente exige realizar una prueba anual del puente de sobrecarga por parte de un perito experto.
- Todos los años, o cada 5.000 ciclos, se debe realizar un mantenimiento.

## 2.8 Desmontaje

El desmontaje del puente de sobrecarga deberá ser realizado por un montador experto en el orden inverso a lo indicado en el capítulo 4.

## 2.9 Cualificación del personal

El montaje exige cualificaciones suficientes para la ejecución de trabajos mecánicos y electrotécnicos, además de trabajos de soldadura y/o de hormigonado según el modelo.

Todo tipo de trabajo en el puente de sobrecarga presupone conocimientos técnicos exhaustivos y solo podrán ser ejecutados por personas autorizadas. Las personas autorizadas son empleados instruidos y formados del fabricante.



### Consejo:

Instale los aparatos de elevación solo en los lugares caracterizados con este símbolo. Utilice siempre todos los cuatro orejetas de transporte (con la carretilla elevadora de horquilla, al menos con dos orejetas de transporte).



### ¡Atención, riesgo de muerte!

Utilice únicamente aparatos de elevación que no presenten problema alguno, de la forma prescrita, y con una capacidad portante de al menos 35 kN.  
¡Respete la normativa de prevención de accidentes vigente en su empresa!  
¡No se quede quieto, ni trabaje nunca bajo cargas en suspensión!



### ¡Atención!

Retírese del radio de proximidad del pozo para que no se produzcan daños ni heridas en los pies.



### Consejo:

Deberá respetar el hueco lateral de 10 mm (+0, -2mm) entre el bastidor y la meseta. El armazón debe instalarse horizontalmente.



### ¡Atención!

Antes de realizar todos los trabajos en el equipamiento eléctrico, el puente de sobrecarga debe estar sin tensión, y asegurarse para que no se pueda volver a conectar accidentalmente. Los trabajos en la parte eléctrica del puente de sobrecarga pueden ser ejecutados solo por personal experto autorizado.



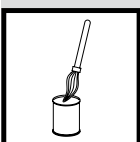
### ¡Atención!

Deberá respetar siempre las prescripciones de seguridad vigentes. La conexión deberá ser realizada por un técnico eléctrico especializado y siguiendo el diagrama de cableado. Abra la carcasa solo si el interruptor principal se encuentra en la posición "0"



### Consejo:

Asegúrese de que todas las funciones del puente de sobrecarga son supervisadas desde el lugar de manejo. El lugar de montaje del electrocontrol deberá estar protegido contra agua pulverizada. Si percibiera algún fallo de función, asegure inmediatamente el puente de sobrecarga e informe al servicio de atención al cliente responsable de Novoferm.

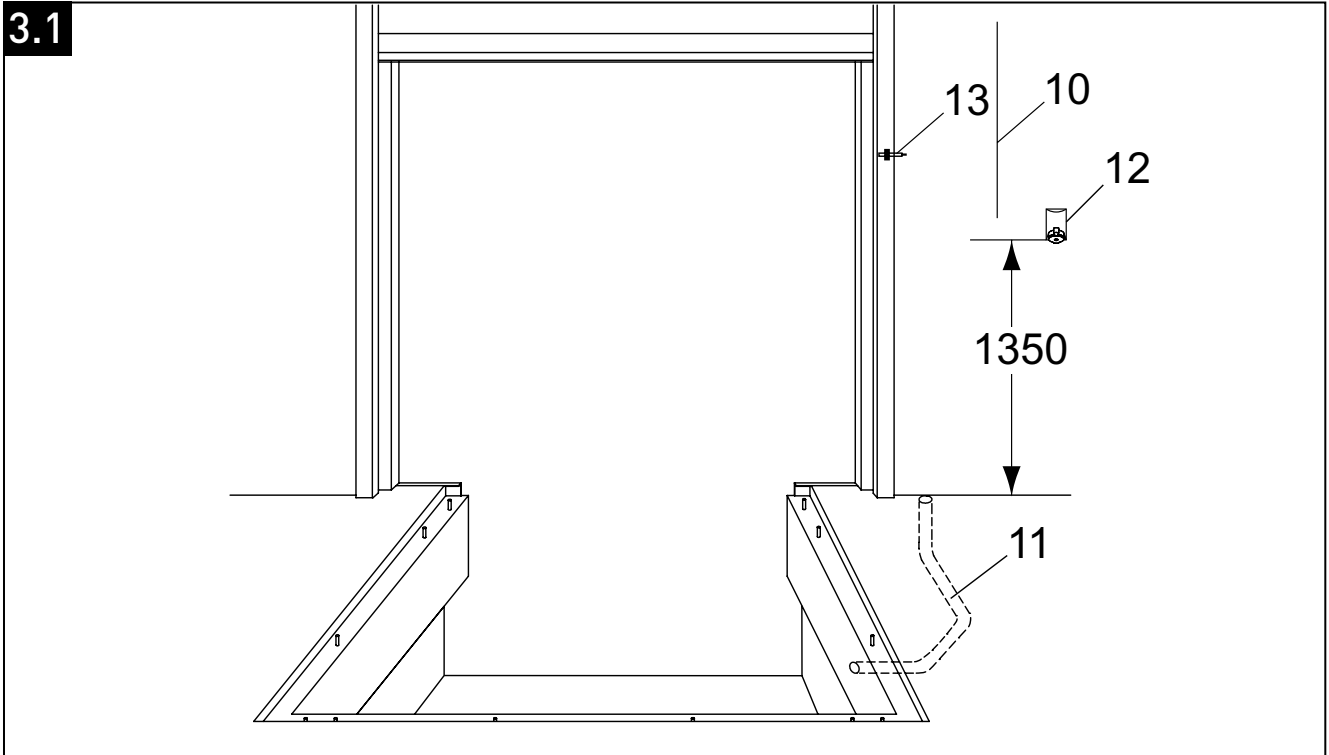


### Preparación posterior de superficies soldadas o dañadas:

Las superficies que se han de mecanizar deben estar secas, retirando toda suciedad, grasa, óxido u otros. Utilice un cepillo de alambre y diluyente.

- Aplique un zincado por pulverización en frío en las superficies, y deje que se seque durante aprox. 30 minutos
- Tras el montaje deben repintarse todos los daños de pintura con la pintura de retoque que se adjunta.

### 3. Preparación por parte de la empresa

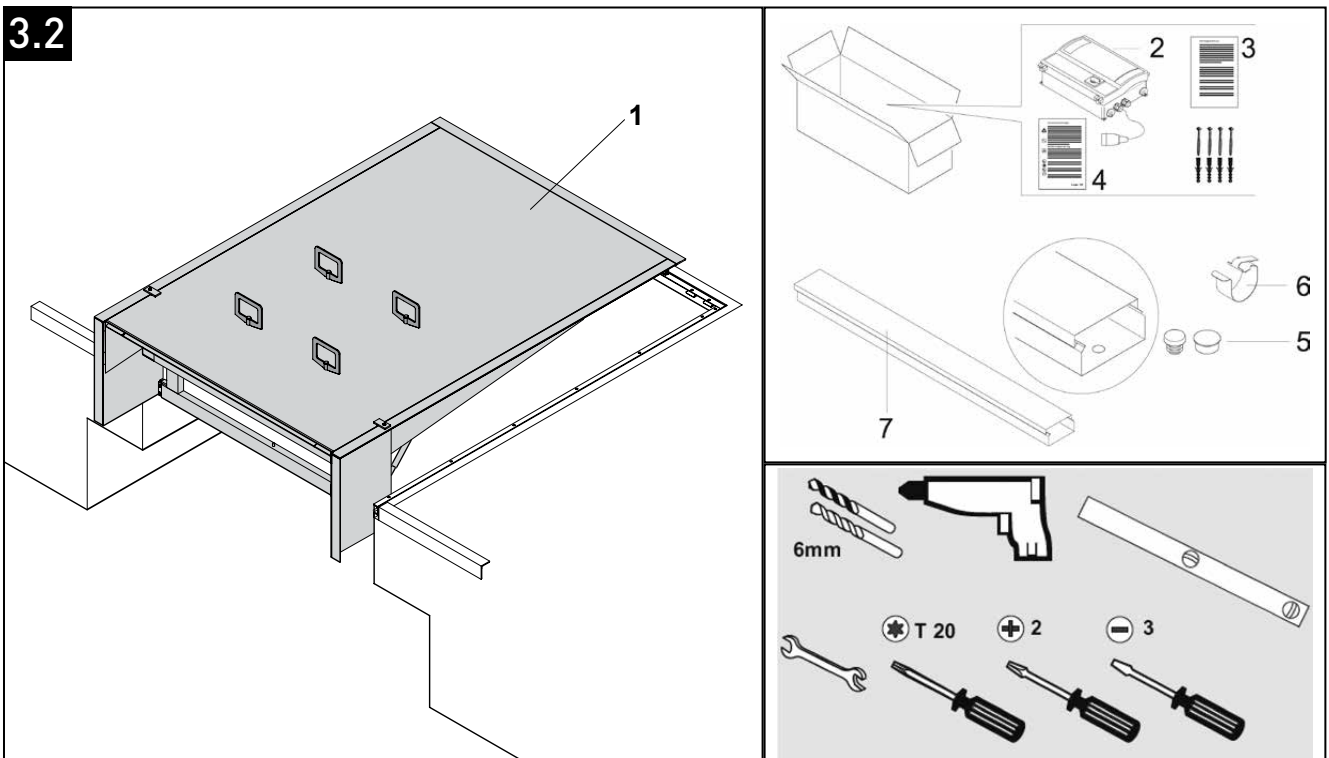


#### Preparación por parte de la empresa

- 10** Conexión a la red 3 / N / PE CA 50Hz 230/400V  
Fusible de red D0 10A gl, potencia de motor 1,5kW
- 11** Tubo para conducción eléctrica, diámetro interno mínimo de 70, arco de tubo  $\leq 45^\circ$

- 12** Enchufe CEE 16A
- 13** Sensor posición compuerta (opcional)

Consejo general: La presentación podría diferir en sus detalles.

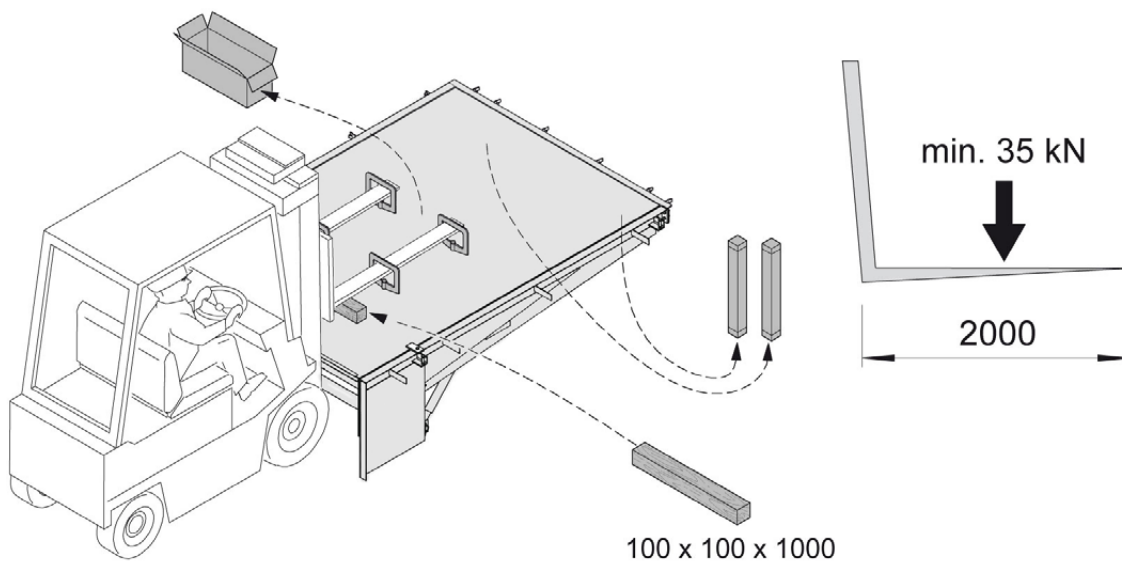


#### Material de montaje

- 1** Puente de sobrecarga
- 2** Control
- 3** Instrucciones de montaje y operativas, control
- 4** Instrucciones operativas abreviadas

- 5** Topes de plástico
- 6** Abrazadera de cable
- 7** Canales de cable (no incluidos en el alcance de suministro).
- Consejo general: La presentación podría diferir en sus detalles.

### 4.1



ES

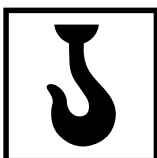
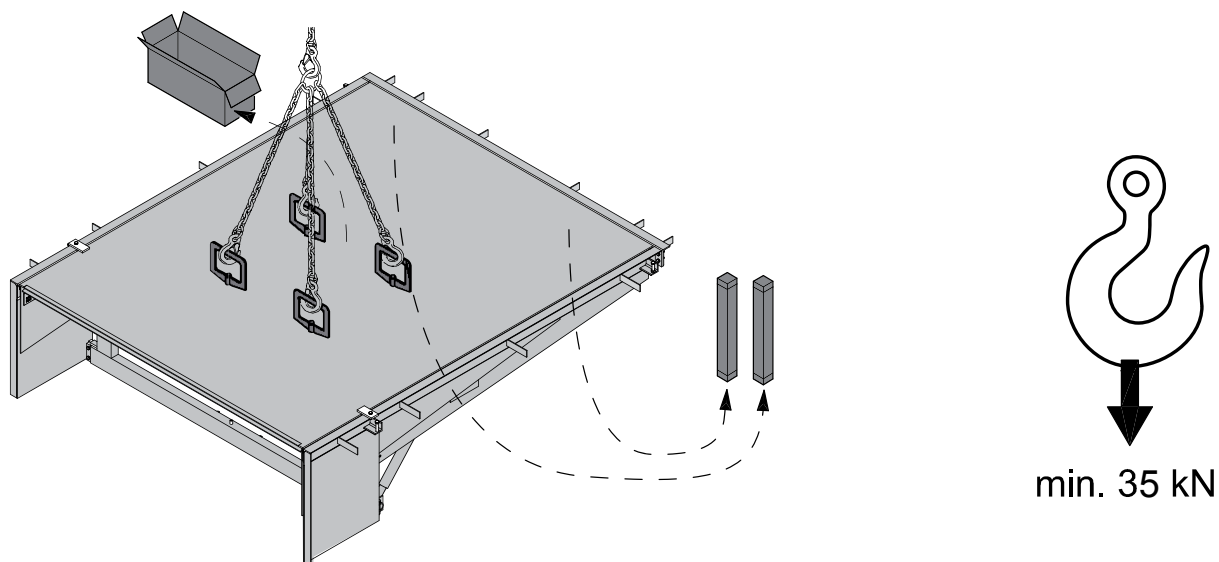


**Consejo**

- Tablas de madera no incluidas en el alcance de suministro

Consejo general: La presentación podría diferir en sus detalles.

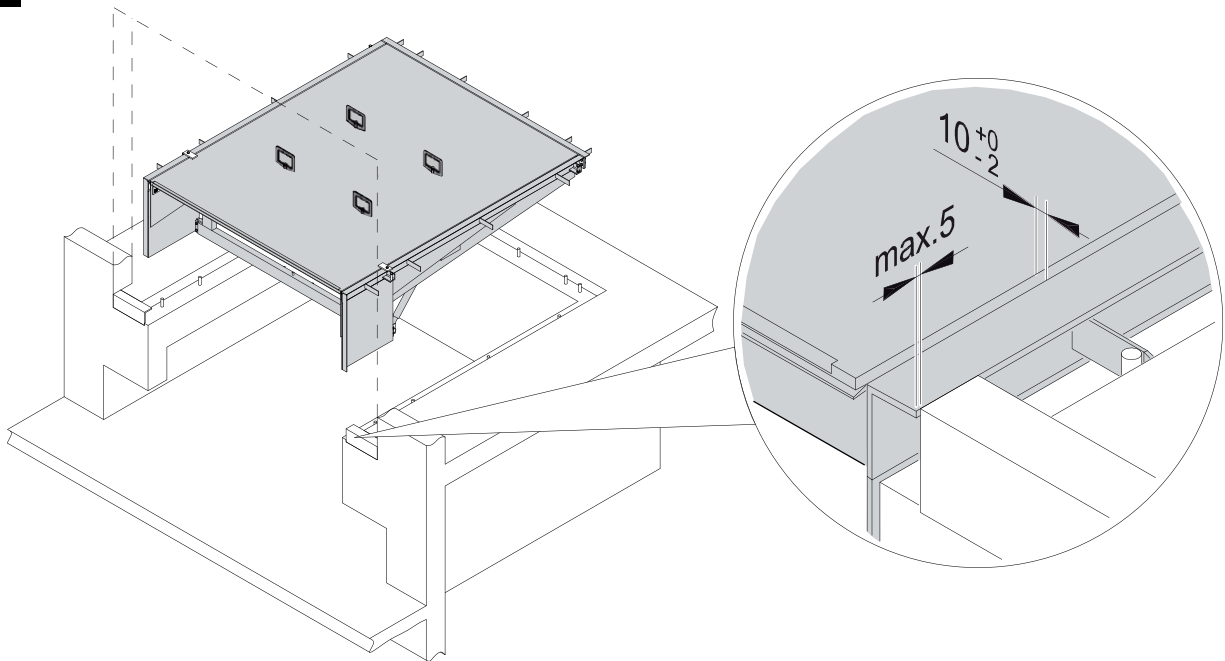
### 4.2



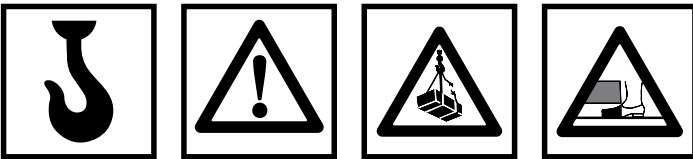
Consejo general: La presentación podría diferir en sus detalles.

## 5. Instrucciones de montaje bastidor CX

5.1

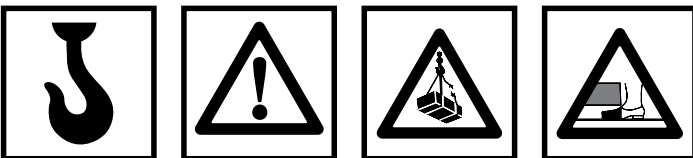
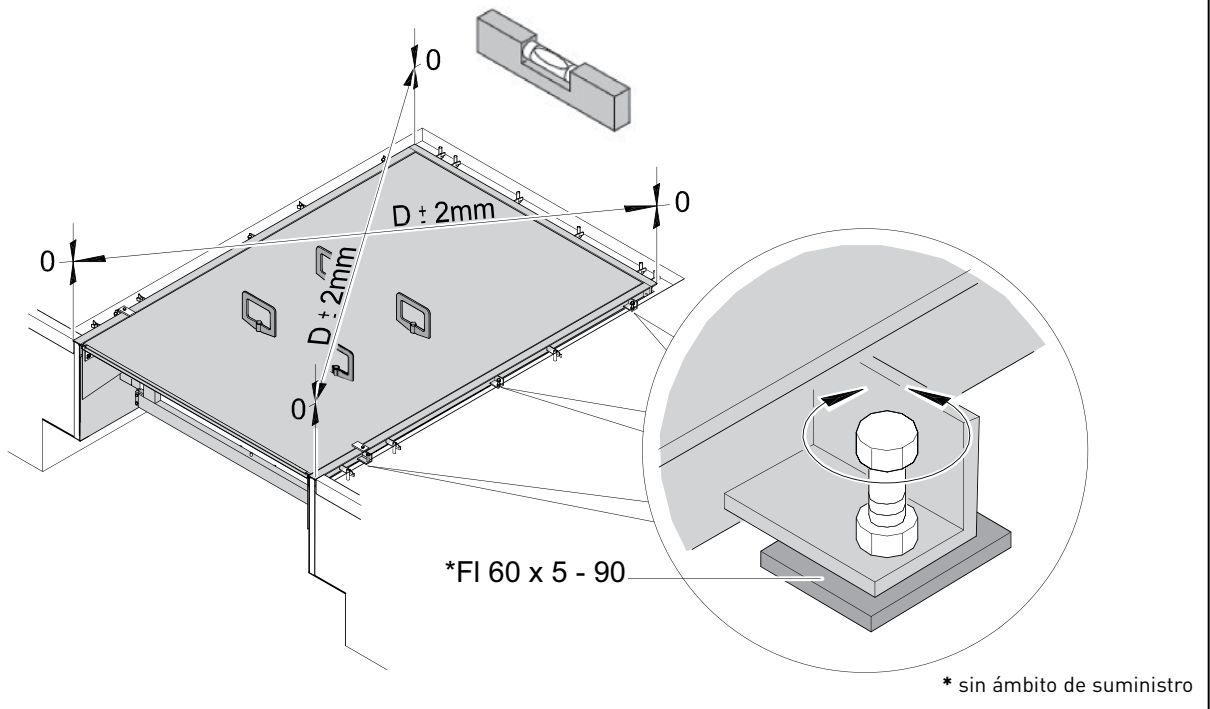


ES



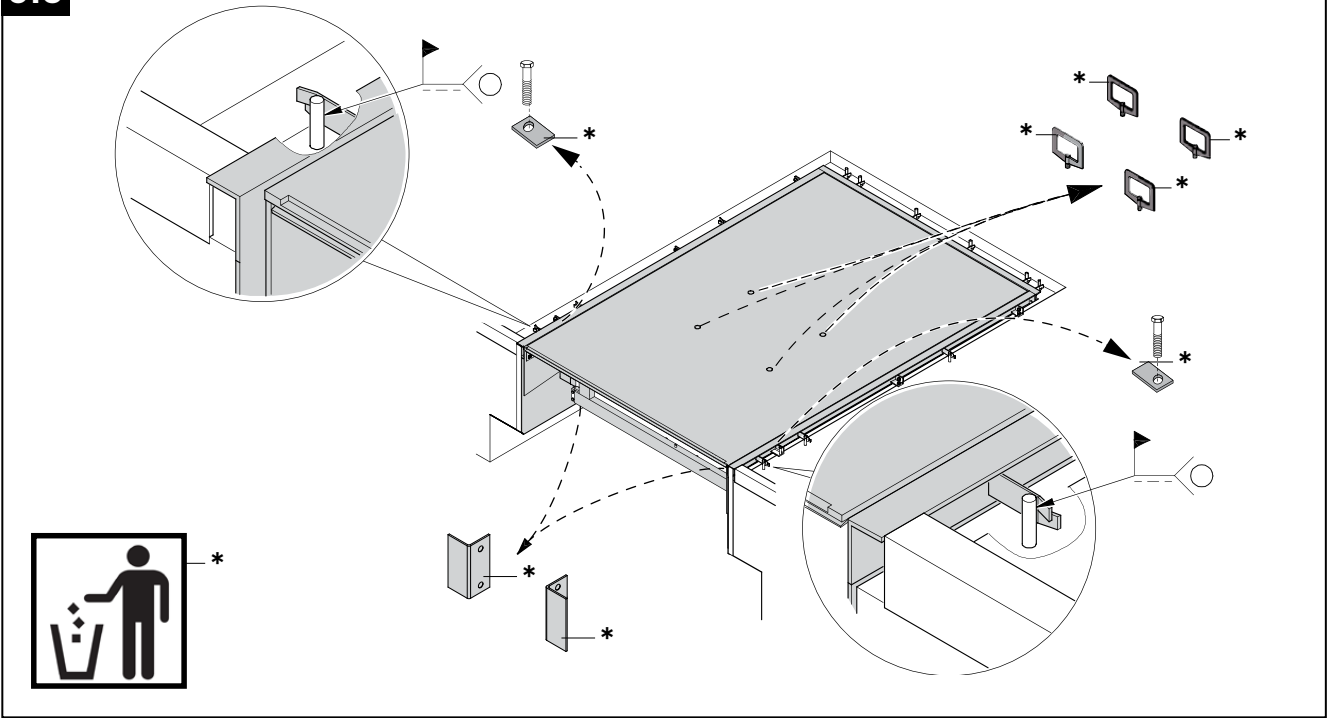
Consejo general: La presentación podría diferir en sus detalles.

5.2

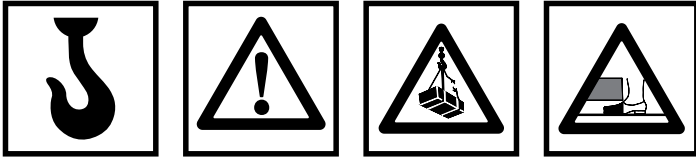


Consejo general: La presentación podría diferir en sus detalles.

5.3



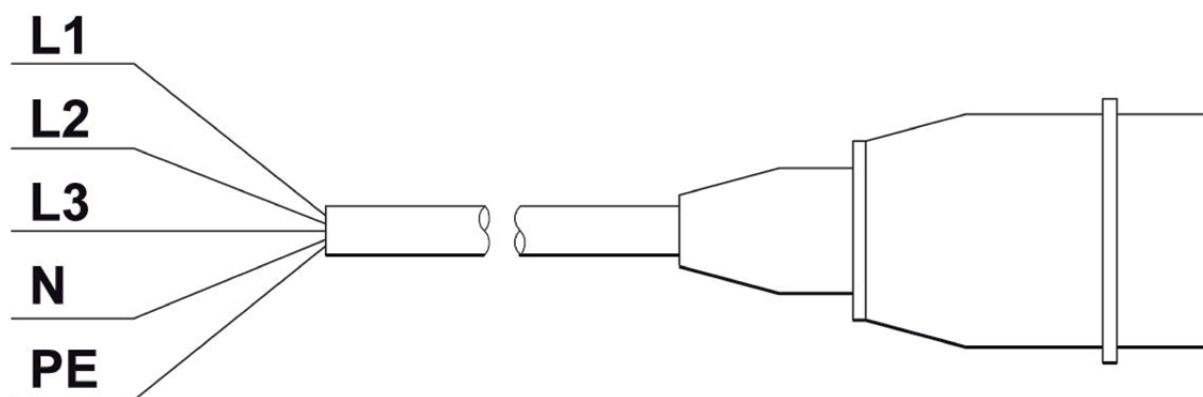
ES



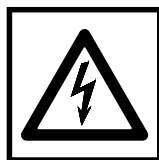
Consejo general: La presentación podría diferir en sus detalles.

## 6. Conexiones eléctricas

### 6.1

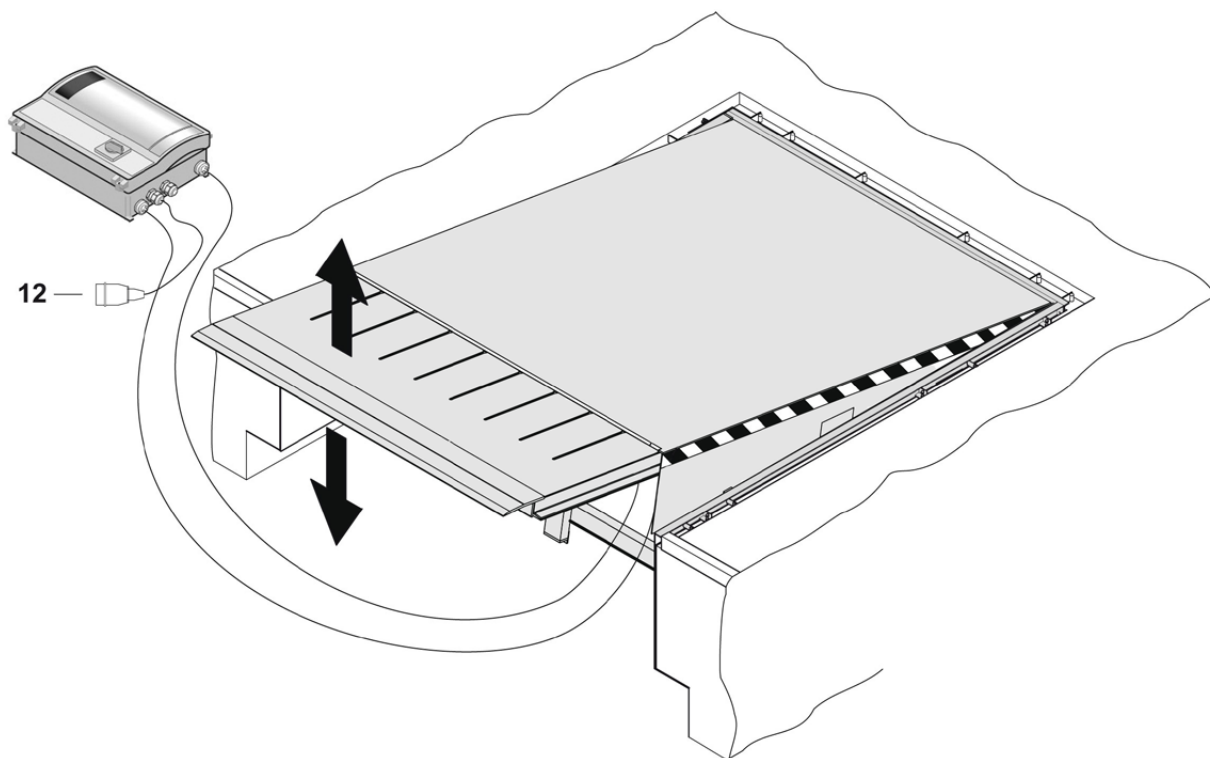


Consejo general: La presentación podría diferir en sus detalles.



	(ES)	(EN)	(FR)	(NL)
L1 =	Marrón (1)	Brown (1)	Brun (1)	Bruin (1)
L2 =	Negro (2)	Black (2)	Noir (2)	Zwart (2)
L3 =	Gris (3)	Grey (3)	Gris (3)	Grijs (3)
N =	Azul (4)	Blue (4)	Bleu (4)	Blauw (4)
PE =	amarillo/verde	yellow/green	jaune/vert	geel/groen

### 6.2

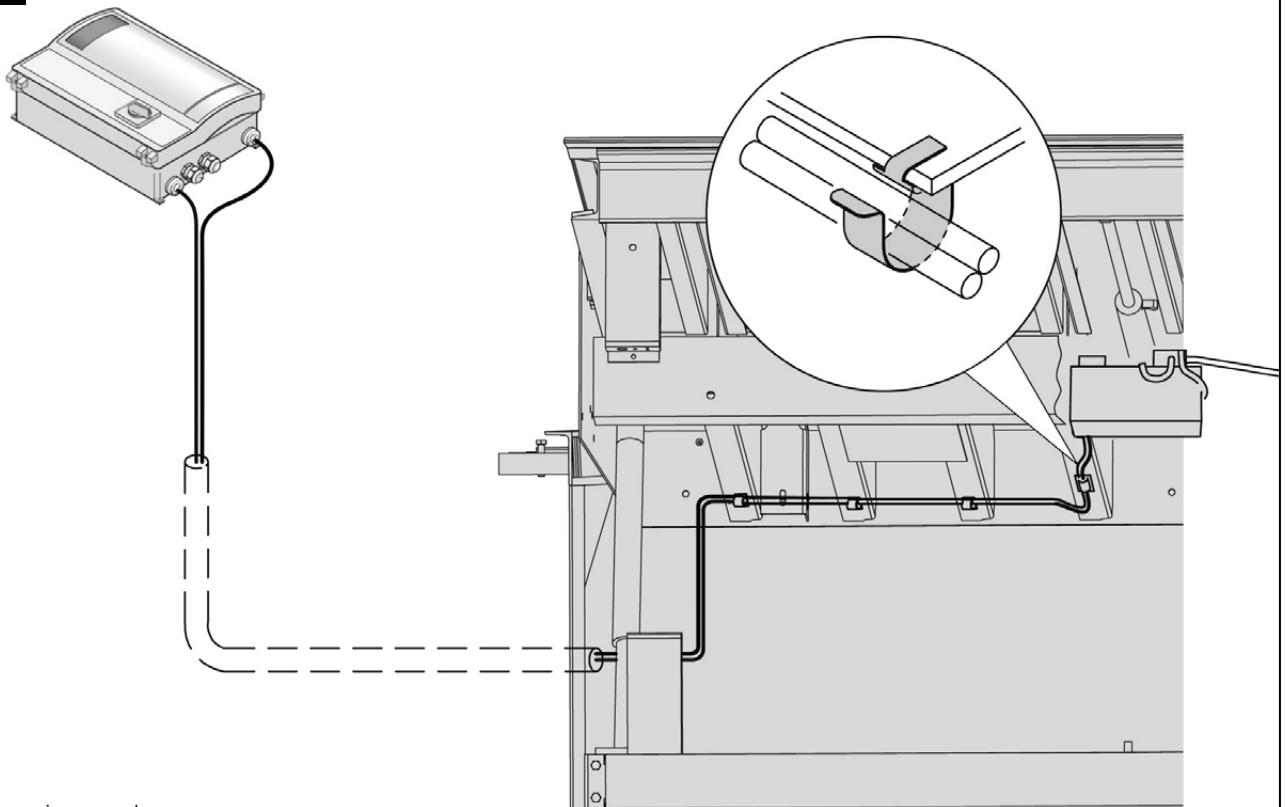


#### Consejo

Hay que comprobar si están bien sujetas las conexiones de las mangueras hidráulicas.

Consejo general: La presentación podría diferir en sus detalles.

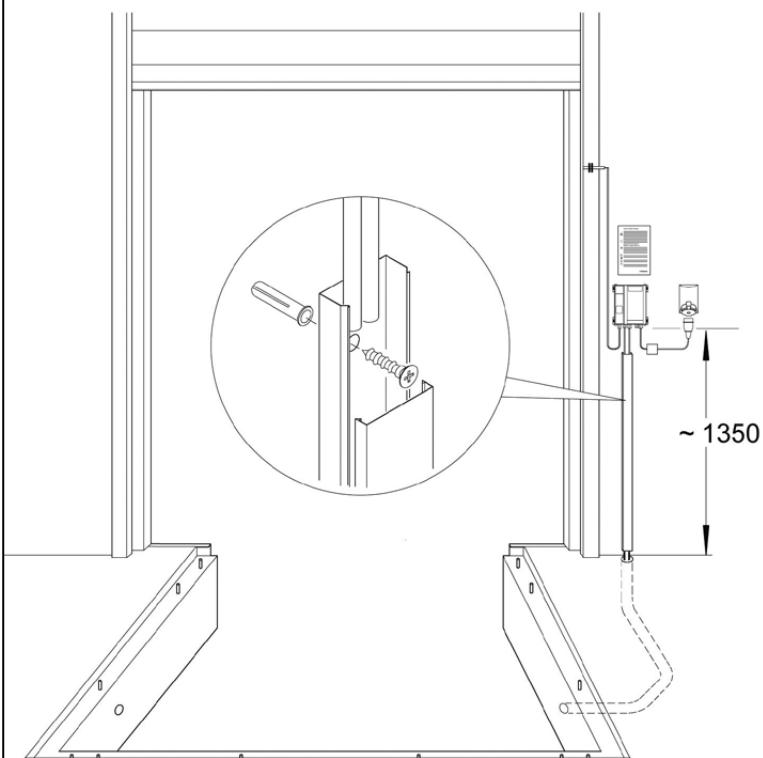
### 6.3



ES

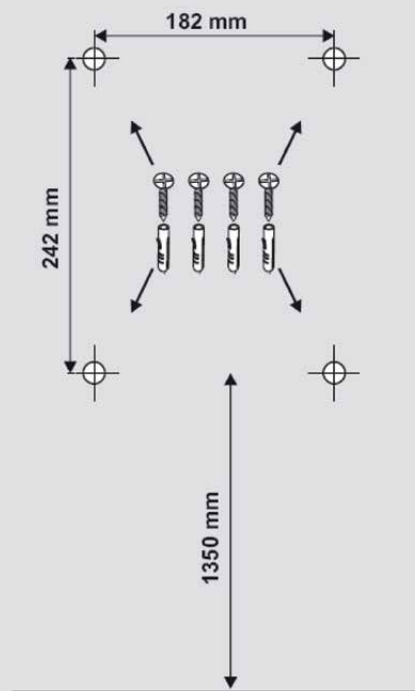
Consejo general:  
La presentación podría diferir en sus detalles.

### 6.4



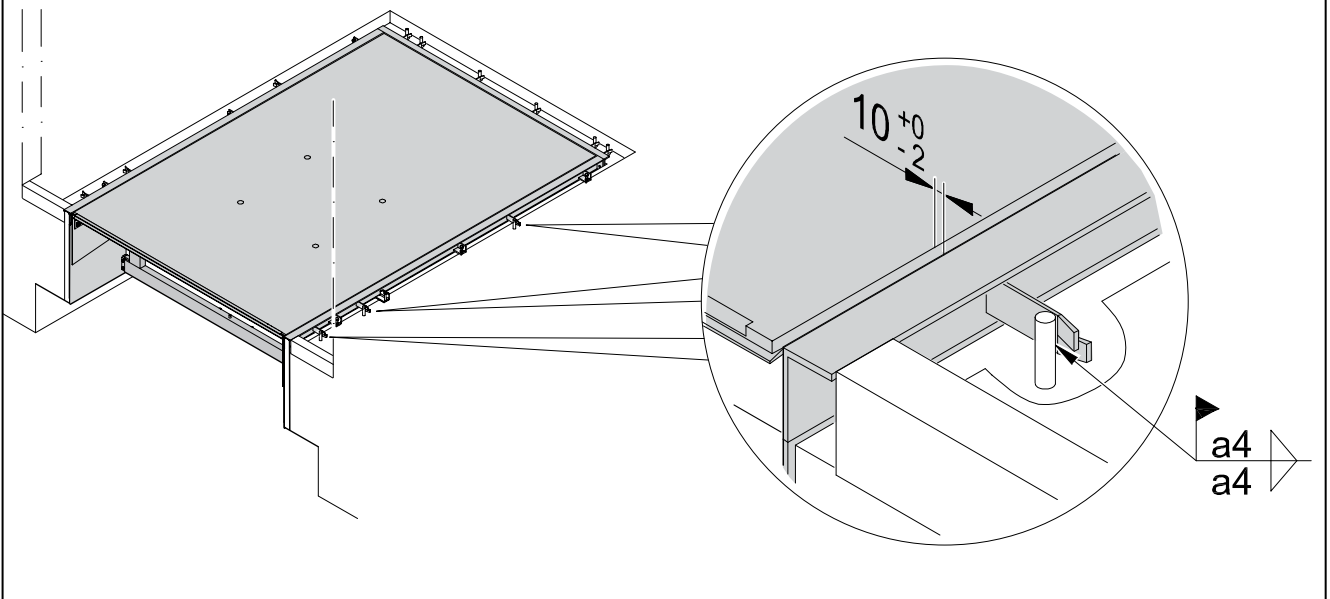
Consejo general: La presentación podría diferir en sus detalles.

### 6.5



## 7. Montaje de elementos de acabado

7.1



ES

### Consejo

Suelde el anclaje del puente de sobrecarga a la armadura o los toletes.

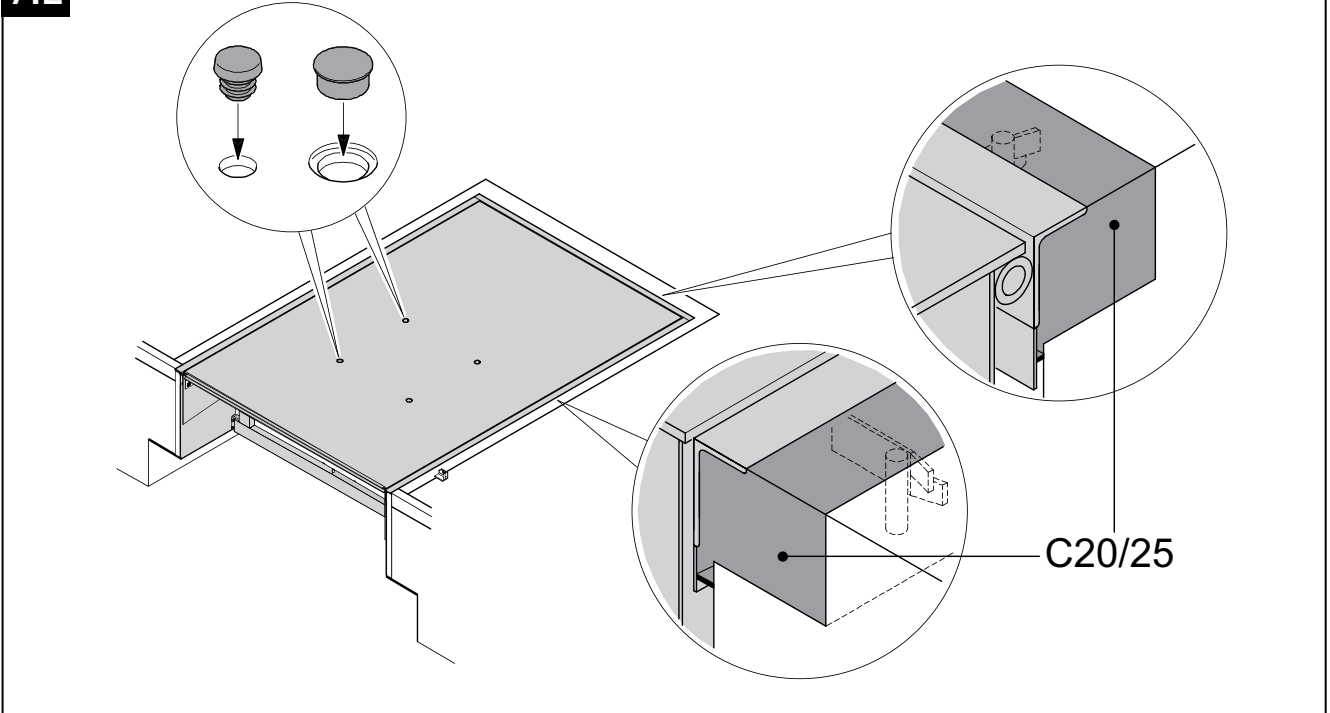


### Peligro para la salud en la soldadura de componentes zincados:

Al soldar piezas zincadas se produce una emisión de vapores que podrían tener como consecuencia efectos negativos para la salud si fueran respirados. Para evitar este problema, rectifique la capa de zinc en los puntos en los que se vaya a realizar la soldadura.

Consejo general: La presentación podría diferir en sus detalles.

7.2



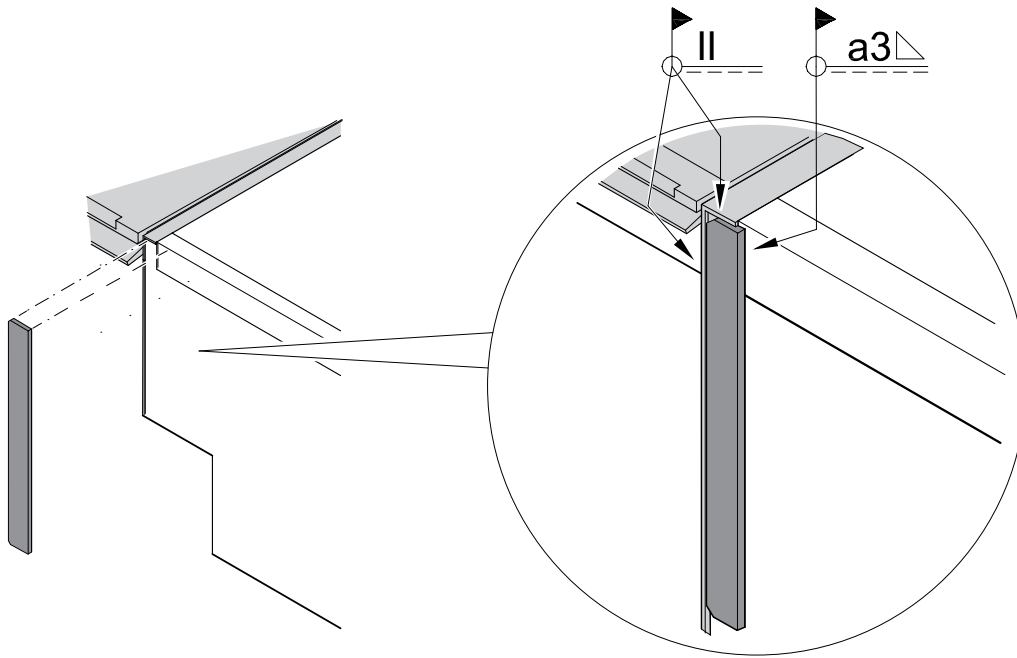
### Consejo

Antes de verter la masa de relleno de hormigón, habrá que estanqueizar por la parte constructiva el punto de depósito del puente de sobrecarga. Recomendamos colocar una chapa protectora en la plataforma antes de llevar a cabo la colada. Realice la colada de la masa fundente de hormigón. Vigile que utiliza una calidad de hormigón adecuada, al menos que sea C20/25. Con una altura de colada mayor, vigile que la presión lateral formada por el vertido y la compresión. De lo contrario, podrían deformarse las paredes laterales.

Consejo general: La presentación podría diferir en sus detalles.

Estas instrucciones de montaje deberán entregarse al cliente y conservarse durante toda la vida útil del equipo.



**7.3****Consejo**

Pinte las costuras de soldadura con la pintura de retoque que se suministra para que no puedan oxidarse éstas.

La versión de placa frontal representada en el punto 6.8. podría ser diferente dependiendo de la opción elegida. Para el montaje del amortiguador no procede la placa frontal del gráfico 6.8. Dependiendo de la versión hay que soldar la placa amortiguadora que se suministra. Para ello habrá que respetar las correspondientes instrucciones de montaje.

Consejo general: La presentación podría diferir en sus detalles.

## 8. Amortiguador opcional

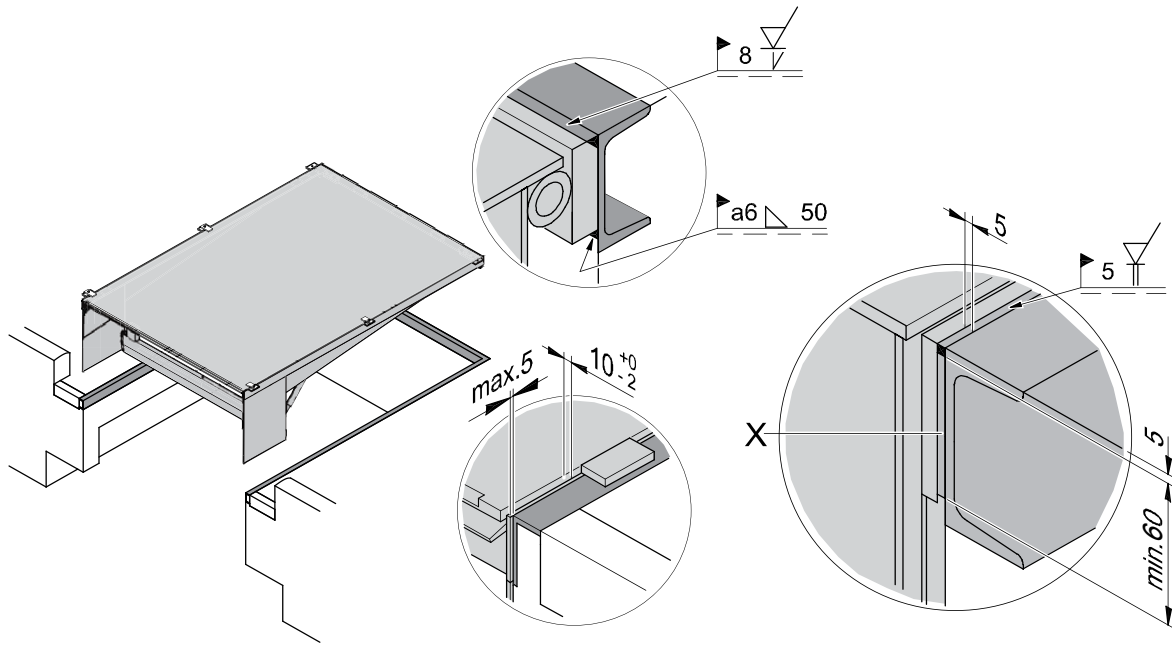
**Amortiguador de arranque (no incluido en el alcance del suministro del puente de sobrecarga).**

Proteja la rampa y los vehículos con los amortiguadores de arranque adecuados. Con cargas de abordaje superiores a 100 kN pueden ser necesarias medidas especiales. Pregunte a su proveedor o fabricante.

**ES**

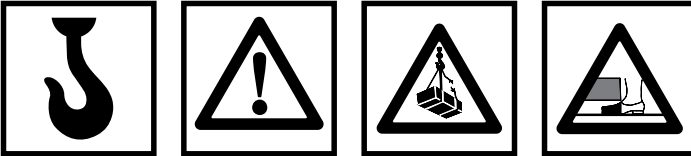
## 9. Bastidor AX

9.1



**Consejo**

X Suplementos de desgaste en la zona de las costuras de soldadura (sin ámbito de suministro)

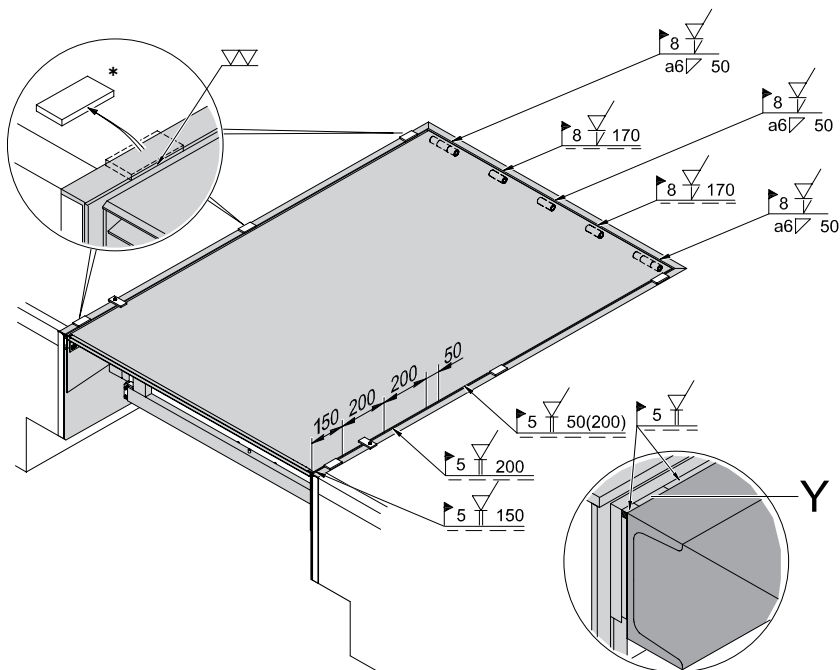


**Peligro para la salud en la soldadura de componentes zincados:**

Al soldar piezas zincadas se produce una emisión de vapores que podrían tener como consecuencia efectos negativos para la salud si fueran respirados. Para evitar este problema, rectifique la capa de zinc en los puntos en los que se vaya a realizar la soldadura.

Consejo general: La presentación podría diferir en sus detalles.

9.2



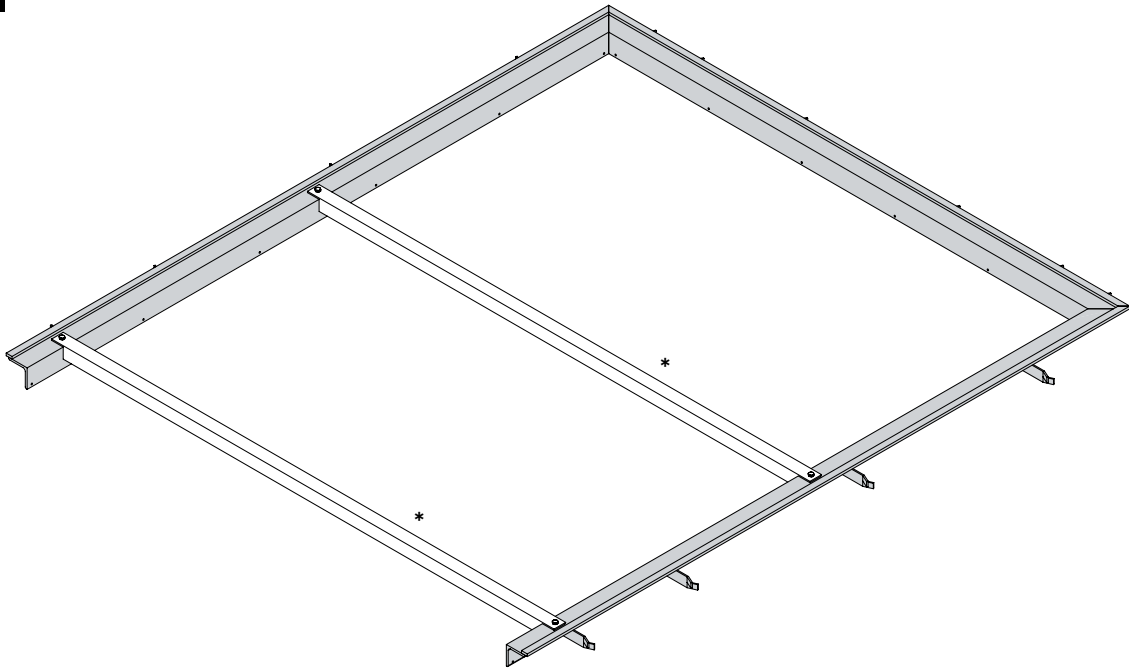
**Consejo**

\* Retirar después de soldar

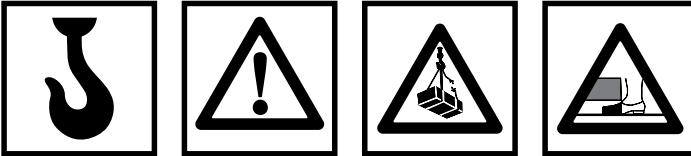
Y Hay que tapar los espacios huecos.

Consejo general: La presentación podría diferir en sus detalles.

10.1



ES



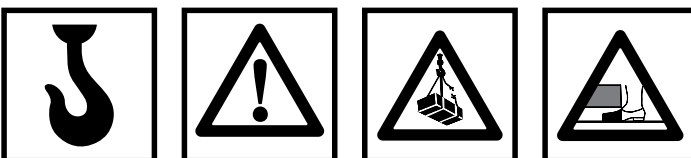
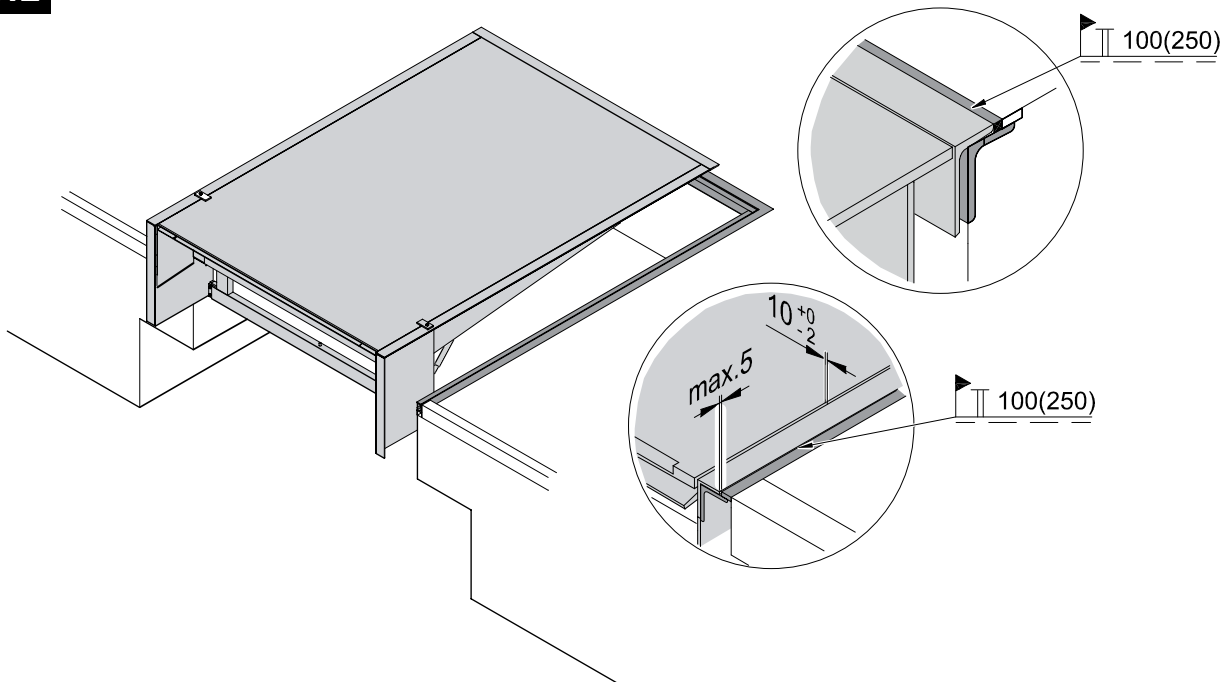
**Consejo**

El pre-bastidor puede venir preparado de fábrica o ser suministrado por Novoferm.

\* Antes instalar el puente de sobrecarga, retirar las barras laterales (tirantes).

Consejo general: La presentación podría diferir en sus detalles.

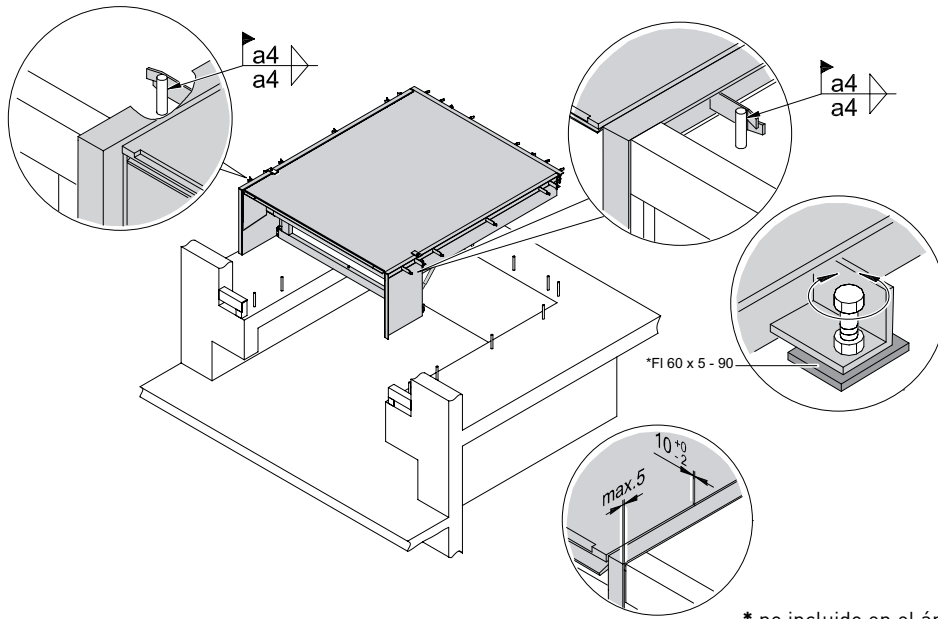
10.2



Consejo general: La presentación podría diferir en sus detalles.

# 11. Bastidor DX

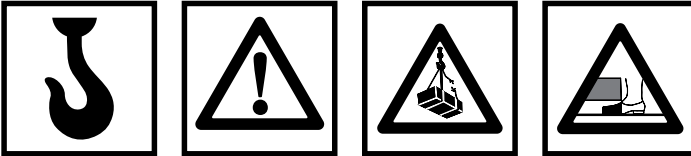
## 11.1



\* no incluido en el ámbito de suministro

### Consejo

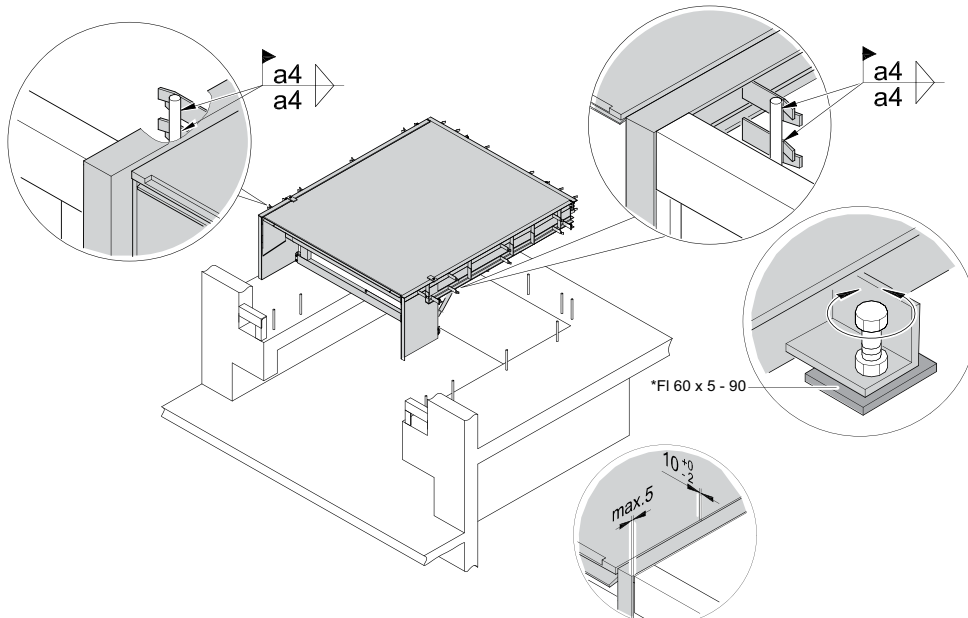
Altura de hormigonado 100 - 160 mm



**Peligro para la salud en la soldadura de componentes zincados:** Al soldar piezas zincadas se produce una emisión de vapores que podrían tener como consecuencia efectos negativos para la salud si fueran respirados. Para evitar este problema, rectifique la capa de zinc en los puntos en los que se vaya a realizar la soldadura.

Consejo general: La presentación podría diferir en sus detalles.

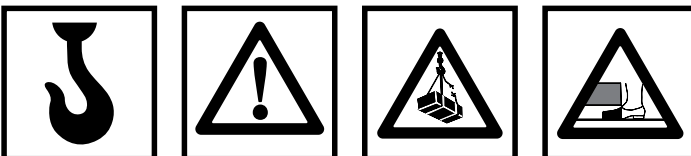
## 11.2



\* no incluido en el ámbito de suministro

### Consejo

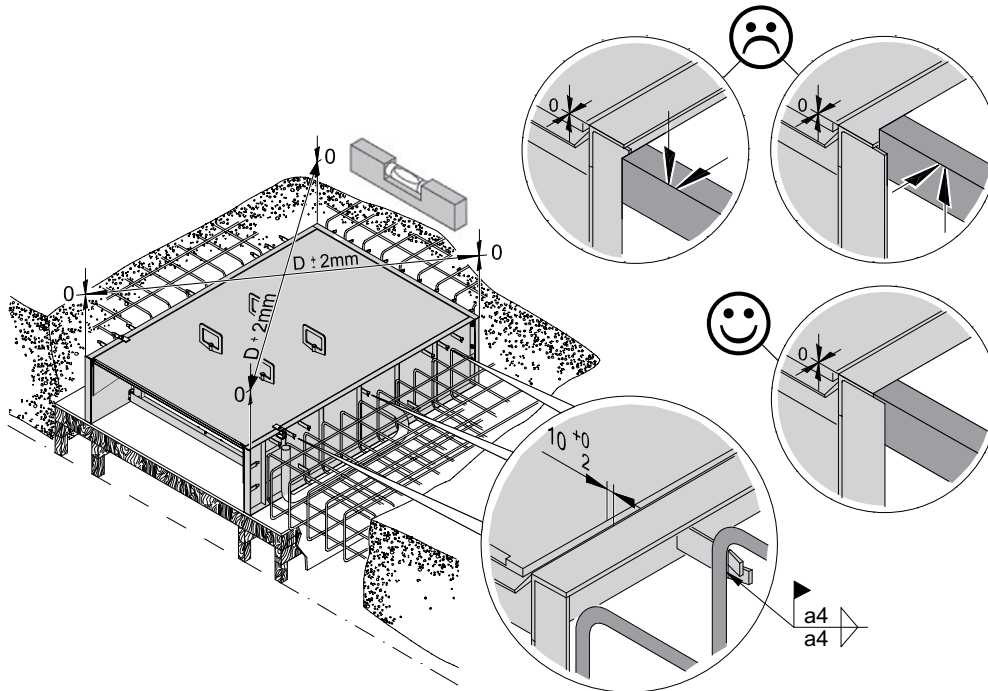
Altura de hormigonado 160 - 250 mm



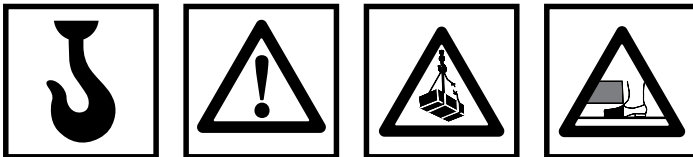
**Peligro para la salud en la soldadura de componentes zincados:** Al soldar piezas zincadas se produce una emisión de vapores que podrían tener como consecuencia efectos negativos para la salud si fueran respirados. Para evitar este problema, rectifique la capa de zinc en los puntos en los que se vaya a realizar la soldadura.

Consejo general: La presentación podría diferir en sus detalles.

## 12.1



ES

**Consejo**

Para la fijación utilizar los orificios dispuestos en la superficie de apoyo del bastidor.

Respetar un hueco de 10 mm.

Si fuera necesario instalar las barras laterales (tirantes).

**Fundición de colada**

1. Recomendamos colocar una chapa protectora en las superficies visibles antes de llevar a cabo la colada.
2. Realice lentamente la colada de la masa fundente de hormigón y por posiciones. Vigile que utiliza una calidad de hormigón adecuada, al menos que sea C20/25. Con una altura de colada mayor, vigile que la presión lateral formada por el vertido y la compresión. De lo contrario, podrían deformarse las paredes laterales.

**Peligro para la salud en la soldadura de componentes zincados:**

Al soldar piezas zincadas se produce una emisión de vapores que podrían tener como consecuencia efectos negativos para la salud si fueran respirados. Para evitar este problema, rectifique la capa de zinc en los puntos en los que se vaya a realizar la soldadura.

Consejo general: La presentación podría diferir en sus detalles.

## 13. Puesta en marcha

**13.1 Elemento auxiliar**

- Retire las orejetas de transporte antes de la puesta en marcha.
- Retire los seguros de transporte y los soportes distanciadores.
- Devuelva las piezas reutilizables al fabricante o al proveedor.

**13.2 Control**

Se harán pruebas de los puentes de sobrecarga y, finalmente se suministra el aceite hidráulico.

Durante la puesta en marcha debe tener en cuenta los siguientes puntos:

- Controle si la plataforma con la rampa se encuentran al mismo nivel.

- Ocúpese de la contratación del personal operario correspondiente.
- Mandé que se realice un ensayo.
- Vigile que se realice una conducción independiente del control.
- Compruebe si el puente de sobrecarga se mueve homogénea y silenciosamente.
- Solicite que se hagan las pruebas en los dispositivos de seguridad.



## English

## Deutsch

## Français

## Nederlands

## Español

## Copyright

All rights reserved. Nothing in this publication may be reproduced and/or published by means of printing, photocopy, microfilm or any other means without the prior written permission of the supplier. This also applies for the associated drawings and diagrams.

The supplier reserves the right to change components at any time, without prior or direct announcement to the customer. The contents of this publication can also be changed without prior warning.

For information concerning adjustments, maintenance activities or repairs not covered by this publication, you are requested to contact your supplier.

This publication has been prepared with the greatest possible care, but the supplier can accept no responsibility for any errors in this publication or the results thereof.

## Copyright

Alle Rechte vorbehalten. Diese Unterlagen einschließlich aller Zeichnungen, Schemata etc. darf nicht ohne unser ausdrückliche schriftliche Genehmigung durch Druck, Fotokopie, Mikrofilm oder in irgendeiner anderen Form vervielfältigt und/oder verbreitet werden. Das gleiche gilt für Auszüge und Ausschnitte.

Der Lieferant behält sich das Recht vor, jederzeit Teile zu ändern, ohne zuvor den Abnehmer davon in Kenntnis zu setzen. Der Inhalt dieser Ausgabe kann ebenfalls ohne vorherige Ankündigung geändert werden.

Informationen zu Einstellungen, Wartungsarbeiten oder Reparaturen, die nicht in dieser Ausgabe aufgeführt sind, erhalten Sie bei Ihrem Lieferanten.

Diese Ausgabe wurde mit größtmöglicher Sorgfalt erstellt. Allerdings übernimmt der Lieferant keine Verantwortung für eventuelle Fehler in dieser Ausgabe, eben-sowenig trägt er die sich eventuell daraus ergebenden Konsequenzen.

## Copyright

Tous droits réservés. Il n'est pas autorisé de reproduire ou publier des parties de ce document, sous forme de tirages, photocopies, microfilm ou par quelque autre procédé que ce soit, sans avoir obtenu au préalable la permission écrite du fournisseur. Cela vaut également pour les schémas et autres illustrations annexes.

Le fournisseur se réserve le droit de modifier des pièces ainsi que le contenu de cette publication à tout moment sans notification préalable ou directe.

Vous êtes priés de prendre contact avec le fournisseur si vous désirez des informations sur des réglages, opérations d'entretien ou réparations dont ce document ne traiterait pas.

Cette publication a été réalisée avec le plus grand soin possible; le fournisseur ne peut toutefois assumer la responsabilité des erreurs qu'elle contiendrait et de leurs conséquences.

## Copyright

Alle rechten voorbehouden. Niets in deze uitgave mag worden verveelvoudigd en/of openbaar gemaakt door middel van druk, fotokopie, microfilm of op welke andere wijze dan ook, zonder voorafgaande schriftelijke toestemming van de leverancier. Dit geldt ook voor de bijbehorende tekeningen en schema's.

De leverancier behoudt zich het recht voor om onderdelen op elk gewenst moment te wijzigen, zonder voorafgaande of directe kennisgeving aan de afnemer. De inhoud van deze uitgave kan eveneens gewijzigd worden zonder voorafgaande waarschuwing.

Voor informatie betreffende afstellingen, onderhoudswerkzaamheden of reparaties waarin deze uitgave niet voorziet, wordt u verzocht contact op te nemen met uw leverancier.

Deze uitgave is met alle mogelijke zorg samengesteld, maar de leverancier kan geen verantwoording op zich nemen voor eventuele fouten in deze uitgave of voor de gevolgen daarvan.

## Copyright

Reservados todos los derechos. Ninguna parte de esta publicación podrá reproducirse ni publicarse mediante imprenta, fotocopia, microfilme o cualquier otro medio, sin previa autorización por escrito del proveedor. Esta restricción también es válida para los planos y esquemas correspondientes.

El proveedor se reserva el derecho de modificar componentes en cualquier momento, sin notificación previa o directa al cliente. También el contenido de esta publicación puede modificarse sin aviso previo.

Si desea más información acerca de los ajustes y trabajos de mantenimiento y reparación que no se indican en esta publicación, le rogamos se ponga en contacto con su proveedor.

Aunque en la elaboración de la presente publicación se ha puesto la máxima atención, el proveedor no podrá aceptar ninguna responsabilidad por los posibles errores en la misma ni por sus consecuencias.



Novoferm Vertriebs GmbH  
**Kunden-Servicecenter**  
**Industrietore/Verladesysteme**  
Alfred-Wirth-Straße 8  
41812 Erkelenz  
Tel.: 02431 9462-0  
Fax: 02431 9462-188  
Info 0800 66863379 (Novoferm)  
E-Mail: [industrietore@novoferm.de](mailto:industrietore@novoferm.de)  
[www.novoferm.de](http://www.novoferm.de)

**Novoferm International**  
[www.novoferm.com](http://www.novoferm.com)

