

FITTING INSTRUCTIONS FOR ROLLER DOORS from

novoferm

INSTALLATION OF THE MAIN DOOR ONLY

**FOAM FILLED, AUTOMATED ROLLER DOOR WITH
SURROUNDING BOX AND OPTICAL EYES SAFETY EDGE**

**(This only covers the installation of the main door, not the Control or Safety
Systems, refer to order specific instructions)**



STEP by STEP GUIDE

- 1 – Check Contents and condition of parts received
- 2 – Check Brickwork opening, dimensionally and condition
- 3 – Fit Guides to brickwork
- 4 – Fit Box complete with Shaft
- 5 – Install the Curtain
- 6 – Fit Control Box to wall

GENERAL INFORMATION

- Safety

Before commencing any work on the product carefully read through this Installation and Operating Guide from start to finish, in particular the section entitled "Safety" and the related safety advice. It is important that these instructions are fully understood. This product could prove hazardous if not fitted correctly and used properly as directed or in accordance with the regulations

Any damage occurring as a result of non-compliance with these instructions shall exempt the manufacturer from all liability

If after reading these instructions, there are any questions or anything is not understood then Contact Novoferm Customer Service on 01582 563 777 for guidance

- Explanation of Symbols



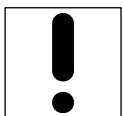
WARNING: IMMINENT DANGER

This symbol indicates that instructions are being given which, if not observed, could lead to serious injury



WARNING! Risk of electric shock

Installation only to be performed by certified electricians



This symbol indicates that instructions are being given which, if not observed, could lead to malfunctions and / or failure of the operator

- Occupational Safety

By following the safety advice and instructions provided in these Installation Instructions, injury to persons and damage to property whilst carrying out the work with and on the product can be avoided. Failure to observe the safety advice and instructions provided in this Manual as well as the accident prevention regulations and general safety regulations applicable to the range of use shall exempt the manufacturer or its authorised representative from all liability and render any damage claims null and void

- Hazards that can result from this product

The product has undergone a risk assessment. The design and execution of the product based on this corresponds to state-of-the-art technology. When used properly in accordance with the regulations, the product is reliable and safe to operate, nevertheless, a residual risk always remains

The Product runs at high voltage, before commencing any work on the electrical systems, PLEASE observe the following;

- 1) Disconnect the power supply
- 2) Safeguard against a power restart
- 3) Establish the electricity supply is cut off

- Spare Parts

Only use the manufacturers' genuine spare parts. Wrong or faulty parts can cause damage, malfunction or event total failure of the product



- Accessories

See later page of this manual or consult with your Approved Novoferm Garage Door Installer

- Changes and modifications to the product

To prevent hazards and ensure optimum performance, the product may not be subjected to and changes, modifications or conversions that have not been expressly approved by the manufacturer

- Dismantling

Dismantling takes place in a reverse sequence to the Installation Instructions.

- Disposal

Observe the corresponding area / country specific regulations

- Data Plates

The Data Plate for the control system is located on the inside of the control box, behind the white cover. Observe the specific power rating. The Data Plate for the door is placed on the curtain

- Packaging
Always dispose of the packaging materials in an environmentally sound manner and in accordance with the local regulations on disposal.

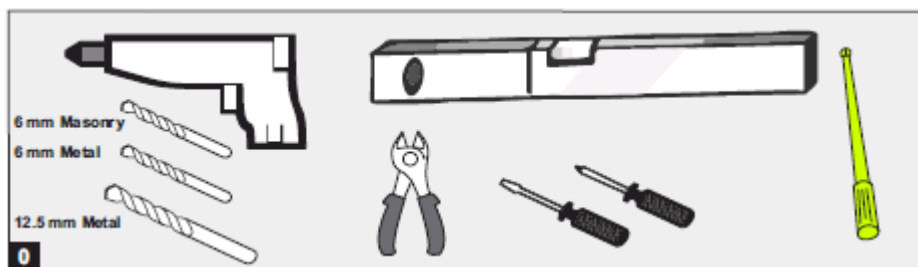
Installation Instructions



Repairs and adjustments should only be performed by an authorised Novoferm Dealer
Incorrect installation can put the safety of persons at risk, or cause damage to property
Improper Installation shall exempt the manufacturer from all liability.

Preparing for Installation

1. This is a **TWO** man fitting situation
2. To connect to the electrical main supply, a power point must be available, The control box has a 1000mm mains lead complete with UK Plug included
3. Ensure the screws and wall plugs to be used are suitable for the structural conditions on site
4. Choose the installation side of the tubular motor in accordance with the structural conditions on site
5. Check that the door provided will fit the aperture in the location required (Special Site requirements might over rule the guide lines below)
 - a. Fitting behind / at the back of the opening
 - i. Over Guide Width (OGW) or Width of the Door shown on the ticket is equal to the Brickwork Opening Width + Twice the Guide Width, at least
 - ii. The Guide Height (GH) or Door Height on the ticket is equal to the Opening Height
 - b. Fitting between or within the brickwork
 - i. Over Guide Width (OGW) or Width of the Door shown on the ticket is equal to the Brickwork Opening Width – 6mm, at least (This allows for 3mm of packers either side
 - ii. The Guide Height (GH) or Door Height on the Ticket is equal to the Opening Height – 305mm



(77mm Laths) 205mm (55mm Laths) (this allows for a 5mm gap at the top of the door)

6. For garages without a second entrance, an emergency opening device is required (See Accessories available)

Tools Required:

Drill Bits Masonry to suit fixings Drill Bits – Metal to 6 & 12.5mm Dia
Screwdrivers – Pozi 2pt – Electricians Motor Test Leads
Level, Ladder x 2, Motor Limit Adjusting Wand (should be with Motor), Hammer, Quick Clamps 600mm reach (4 off)

Parts Delivered / Required

2 Cardboard Boxes containing

Box 1 – Curtain in Bubble Wrap, Control Box

Box 2 – External Box Assembly consisting of:

Rear 45 Deg Box, Front Box including End Plates and Motor Shaft Assembly

Guides, Fitting Pack, Manual Winding Handle

Accessories ordered (Typically, EMR, Extra Handsets, Digital Keypads)

Open the boxes and inspect the parts

1) Remove the 45 Degree Rear Cover

- a) Remove all the loose parts within the box
- b) Fit Manual Winding Eye
- c) Release the motor wire and thread it through the hole in the end plate above the motor

Fitting the Curtain Guides (Rollers or Chamfered Guides) in the Box End Plates

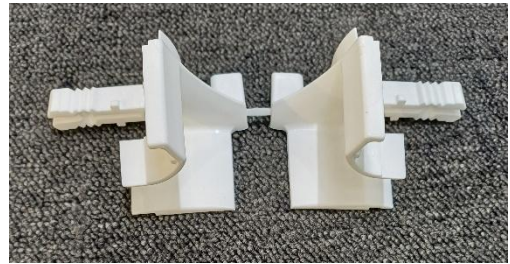
77 WHITE ROLLERS

The two Guide Rollers are supplied loose. This is because of the size of the Bottom Lath End Cap. The Bottom Lath Endcap is designed to stop the Curtain passing the Top Limits, this is only achieved by fitting these rollers after the curtain is installed – In the event of the curtain wanting to over open, with the Guide Rollers installed the bottom lath will get trapped between the box.



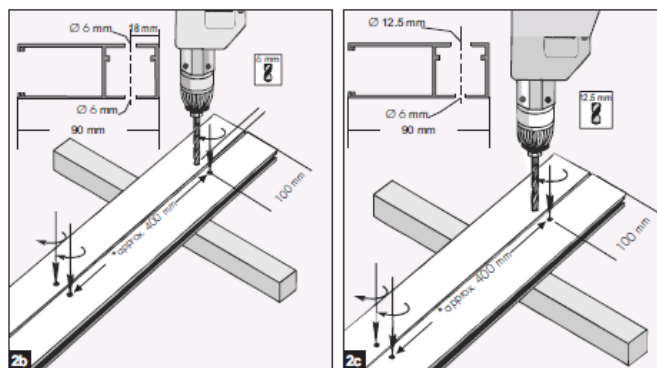
55 Chamfered Guide Tops

There are two plastic push in guides, Left and Right handed, These, are to be inserted into the transition from the guide to the box before the box is installed on the end of the guides.



Preparing the Guides

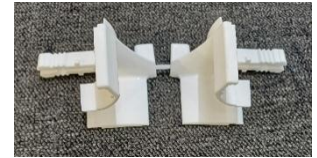
1. Identify the front and back of the tracks, if appropriate – Relevant for 55mm Lath Doors
2. Hold the guides up against their fixing area and determine and mark the most suitable fixing points aiming for the top and bottom fixings to be approximately 100mm from the ends of the guides and the intermediate fixing points on 400mm centers between the Top and Bottom fixing points.
3. Pilot drill the fixing holes in the guides with a 6mm drill.
4. Open up the holes on the back face to 12.7mm (Take Care **DO NOT** Drill all the way through)



Fitting the Curtain Guides (Rollers on a 77 or Chamfered Guides on a 55) in the Box End Plates

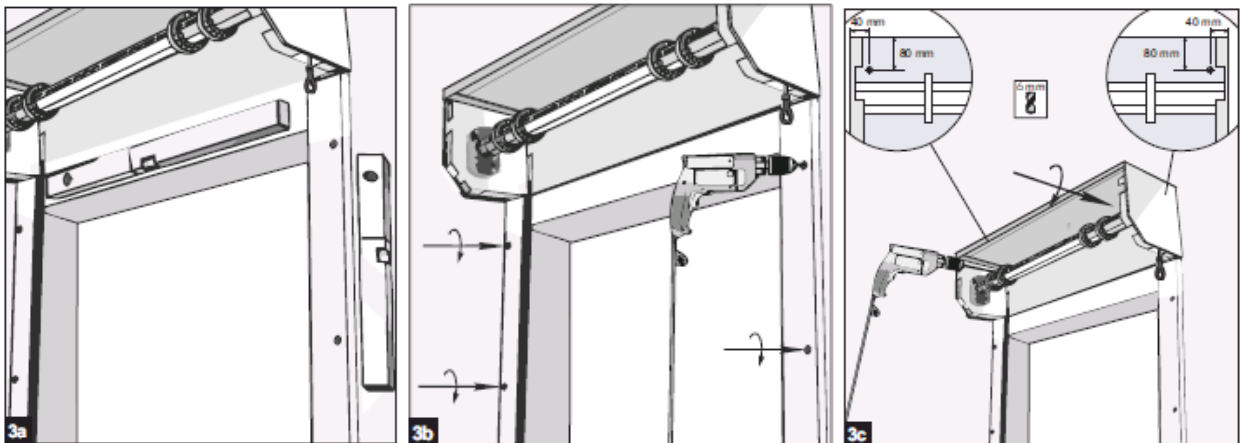
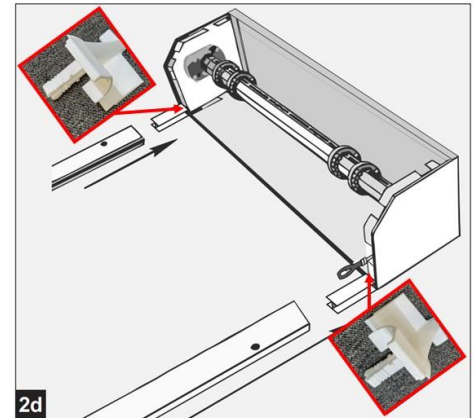
55 Chamfered Guide Tops – Fitted into the Spigot on the Endcap

There are two plastic push in guides, Left and Right-handed, These, are to be inserted into the transition from Curtain the guide to the box before the box is installed on the end



Mounting the Guides and the Box

1. Slide the Guides on to the End Plates as shown (Diagram 2d) (**On 55's** ensure the Curtain Guide is pushed into the spigot of the Endplate)
2. Lift Box into place above door opening, to the position governed by the guides and secure the guides in place with quick clamps, a minimum of two per side
3. Level up the Box and ensure the Guides are vertical and the Guides are square (Diagram 3a)
4. Mark out the fixing points of the guides ensuring the guides are vertical and that the box is level, if required it may need a gap between the floor and the bottom of a guide to ensure the box section is level.
5. Fix the guides to the wall with appropriate fixings (Diagram 3b)
6. Fix the end plates to the wall using appropriate fixings above the motor shaft (Diagram 3c)
7. Ensure the "U" Clamp on the Dummy Ends' Square Shaft is up against the end of the main shaft



Ensure all tools required for the completion of the installation are inside the garage, especially if there is no other access to the garage space

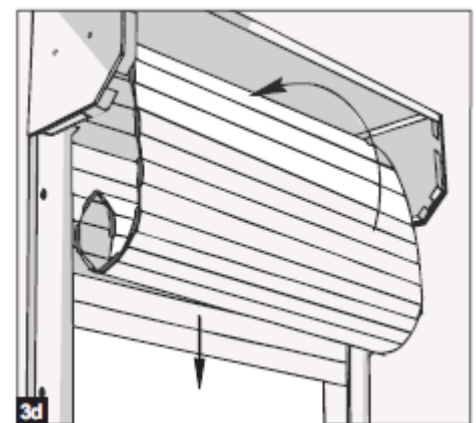
NOW PUT THE CURTAIN INTO PLACE

This requires two people, on doors up to 4267mm wide and three people when the over guide width is greater than 4267mm

Remove the outer packaging

Remove any jewelry that might cause the curtain to be scratched, from hands / ears etc

Place two 50mm high spacers (Sufficiently high to ensure that should the curtain falls fully into the guides in an uncontrolled manner fingers are not trapped between the curtain and the ground) through the opening on to which the curtain is lowered in the first instant



A safe platform is required at a height that allows for the installers (Each installer should face away from the centre of the door) to have the curtain roll placed on their shoulders and from this position the bottom lath is fed **OVER** the shaft and into the top of the guides



When the curtain is halfway down the guides the remaining unrolled part of the curtain should be unrolled resulting in the curtain being half in the Guides and half of in the garage space **(DO NOT ALLOW THE CURTAIN TO UN-ROLL BY IT'S OWN WEIGHT / GRAVITY INTO THE GUIDES)**



The curtain can now be lowered fully into the guides, one installer pushing the rear loose hanging laths up and the other steadying the speed of descent by holding on to the bottom lath and lowering the curtain on to the floor spacers

When the curtain is resting on the floor spacers they then can be removed one at a time by raising the curtain slightly, locally and sliding the spacer out on one side before repeating on the other side

77 Roller Doors

Fit the White Rollers to the lower side of the endplates with 5mm Hex Spanner and Socket Screws

DO NOT CONNECT THE CURTAIN TO THE SHAFT AT THIS POINT

With the Curtain is in place and the Locking Straps extended up towards the shaft.

Now go to the Control Box and Motor Limit Setting Instructions to complete the installation

FOR MORE INFORMATION ABOUT DOOR WARRANTY SCAN THE QR CODE FOR THE LINK



WARRANTY

Date Mar 2026

NFIN 400856

Issue 001