

Strip curtain

Easy Clip

hook mounting system

free-pivoting strips

transparent strips
for excellent visibility

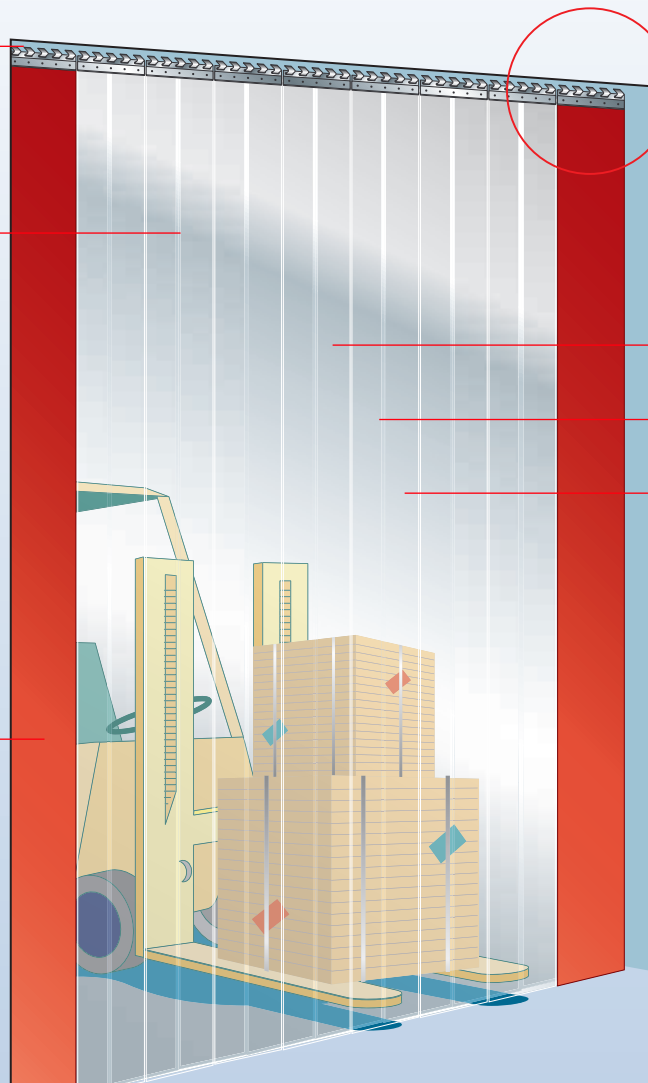
orange/red end strips

hook mounting system

rounded edges

various overlaps

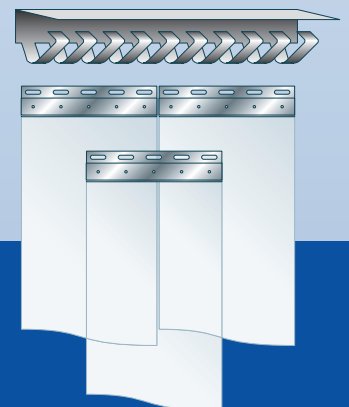
various strip material grades



Features

- quick and easy installation
- galvanised steel brackets and suspension profile (stainless steel is optional)
- free-pivoting strips
- the strips can be replaced quickly
- 3 strip widths
- strips with rounded edges
- high transparency, safe vision
- cold-resistant strips are also available (for use to - 45°C)
- various overlaps
- orange/red end strips (option).

Hook mounting system



novoferm[®]

Novoferm's Easy Clip strip curtains are made up of transparent, flexible plastic strips and designed to provide a (draught) seal for openings or act as a separation between two areas. The strips are hung using the Easy Clip hook mounting system.

Applications

Novoferm's Easy Clip strip curtains are used:

- to prevent or reduce draughts
- to create (easy-access) room separators
- to reduce noise nuisance
- to protect personnel and goods against the effects of bad weather
- to prevent or reduce the risk of birds and insects entering an area
- to provide a barrier against dust or smoke
- using a special strip type, to protect welders against UV radiation
- cold-resistant grades are available for use in freezers and cold cells.

Components and construction

Novoferm's Easy Clip strip curtains are made up of transparent plastic strips, which are attached to suspension plates. These are hung with the desired overlap in a special hook profile, which is fastened directly to the underside of the lintel or to the area above the opening. It is easy to replace individual strips after the curtain has been installed. The outer strips can be supplied in an orange/red colour to mark the sides of the opening.

Materials

The strips are made of extruded transparent plastic and are available in the following grades:

- normal (N)for use to - 5°C
- freezer grade (KB)for use to - 45°C
- transparencybetween 90% and 83%
- the strips are flame-retardant
- all metal parts are made of galvanised steel
- aluminium pop-rivets are used.

Dimensions

Strips are available in the following sizes:

- 200 mm wide and 2 mm thick
- 300 mm wide and 3 mm thick
- 400 mm wide and 4 mm thick.

Overlapping

- for 200x2 mm2/5 - 4/5
- for 300x3 mm2/7 - 4/7 - 6/7
- for 400x4 mm2/9 - 4/9 - 6/9 - 8/9

The overlap percentage largely depends on the degree of draught. The greater the overlap, the better the draught sealing properties.

Material strength

property	DIN	unit	(N)	(KB)
tensile strength	53 455	N/mm ²	17	13
tear strength	53 515	N/mm	>5	>2
elongation before breakage	53 455	%	300	420
hardness	53 505	Shore-A	77	63

Structural requirements / installation

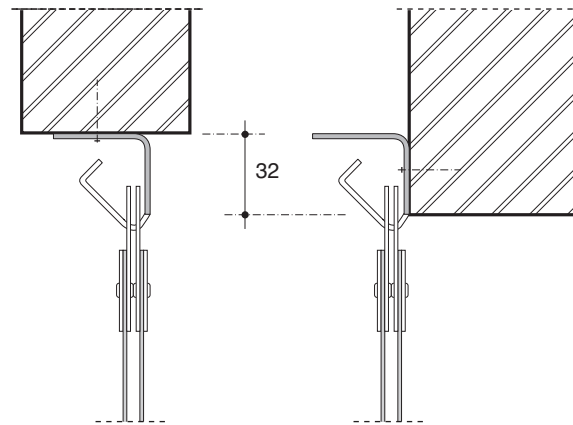
In general, no special structural requirements apply. A stable mounting surface to which the hook profile can be screwed or bolted is sufficient (welding is not recommended).

Safety features

- the strips feature rounded edges to prevent cut fingers.

Auxiliary components/ options/ accessories

- stainless steel metal parts (stainless 304)
- orange/red end strips to mark the sides of the opening
- isingle section, sliding to the left or right
- two sections, each sliding to the left and right
- two sections, each sliding to the left or right
- strip curtain retainer
- round the corner sliding strip curtain.

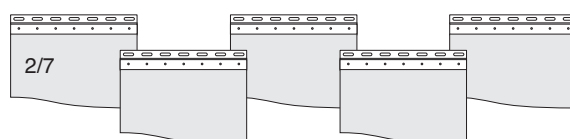
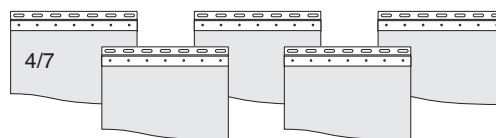
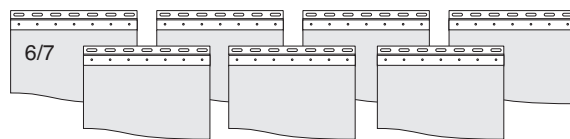


Soffit-mounted

Wall-mounted



Suspension profile



Overlap options for strip width 300 x 3 mm.