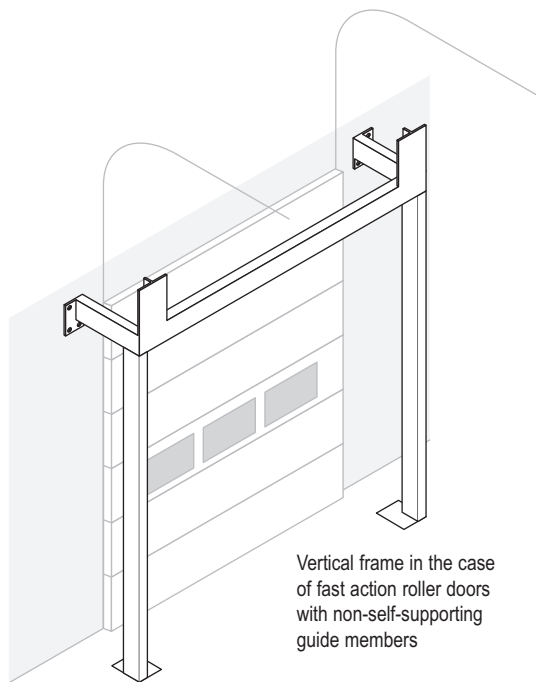


### 1 Existing situation with sectional door or roller door

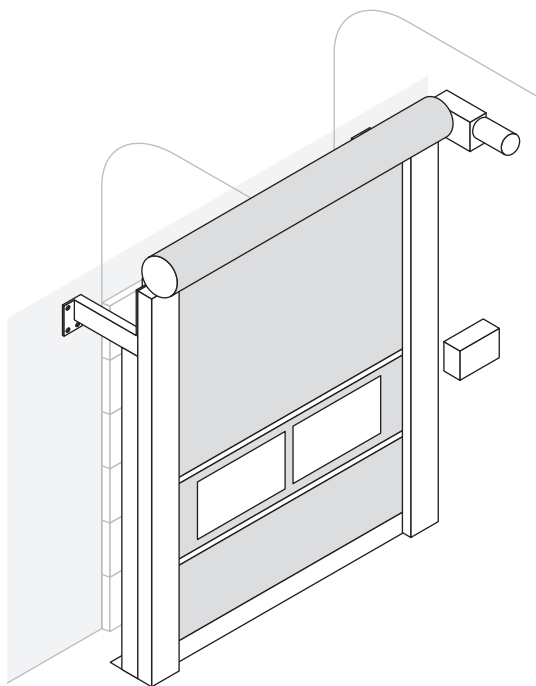
Check and make sure that there is adequate space around the existing door in order to install the fast action door. The mounting surface should be sufficiently stable for the steel support frame.



Vertical frame in the case of fast action roller doors with non-self-supporting guide members

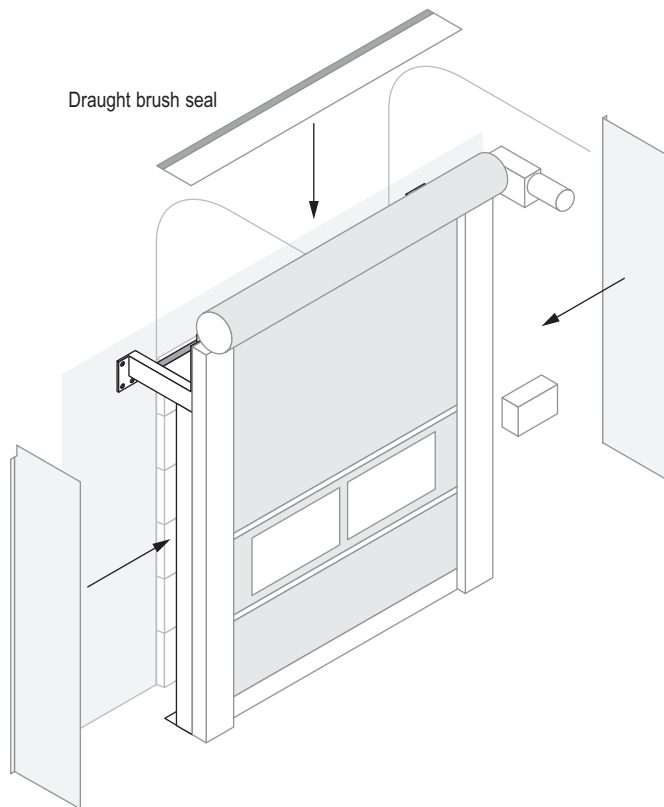
### 2 Installing the steel support frame

Fixing the steel support frame for the installation of the fast action roller door. In the case of a sectional door the frame stands further back from the wall than in the case of a roller shutter door. With sectional doors the type of track system is also a factor influencing this distance.



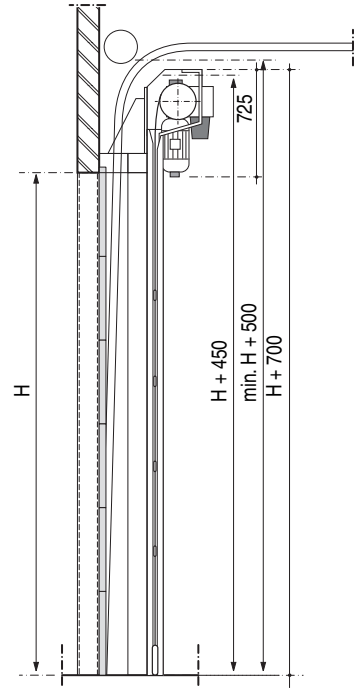
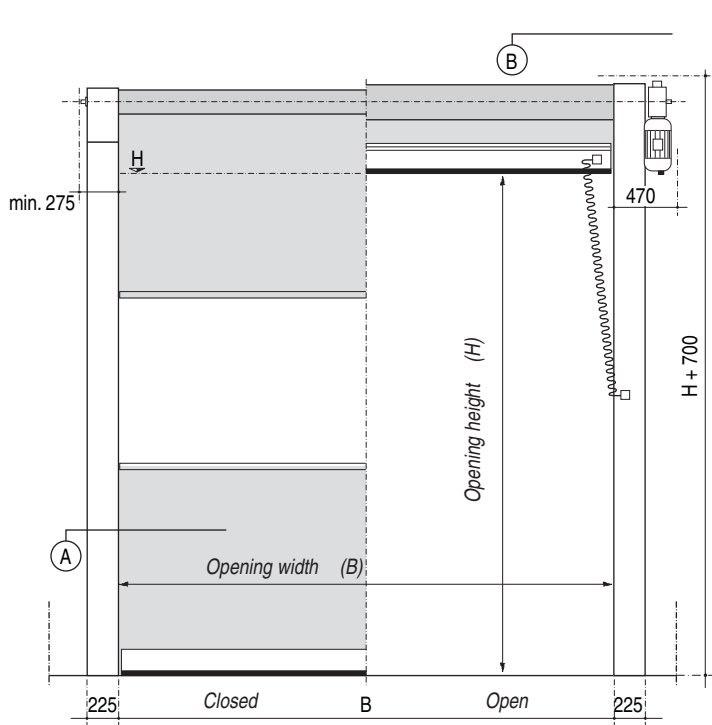
### 3 Installing the fast action roller door

The fast roller is fixed to the floor and the mounting frame and can be wired and commissioned.



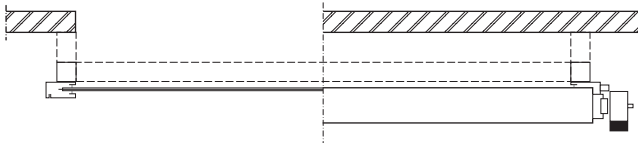
### 4 Installing flashing

Flashing to be installed by others.



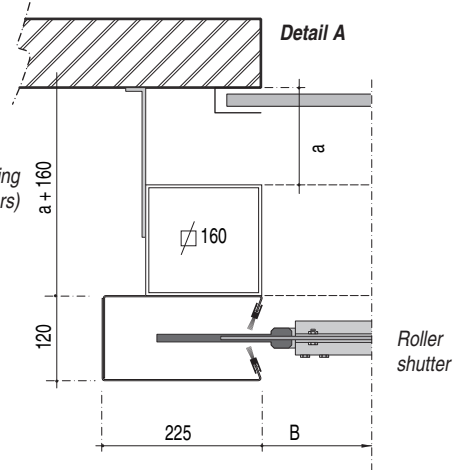
Side view

Front view

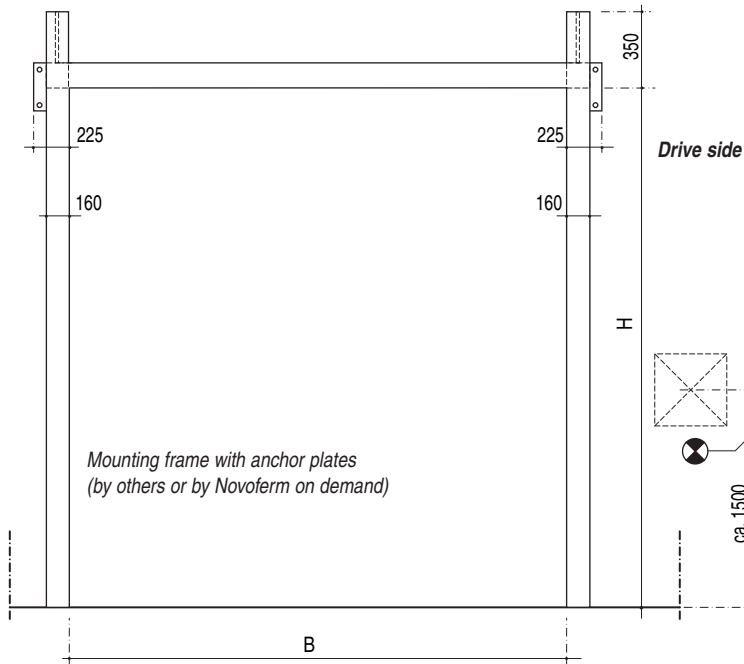


Section A

Section B



Size "a" depends on the type of track arrangement. For sectional overhead doors "a" is larger than for roller shutters.



**Installation requirements**